

300-GAL. HAWKEYE FLATBED BRUSH TRUCK

SCHUYLER COUNTY FIRE PROTECTION DISTRICT / RUSHVILLE, ILLINOIS



ALEXIS



THANK YOU TO THE SCHUYLER COUNTY FIRE PROTECTION DISTRICT FOR THE PURCHASE OF THIS UNIT.



TECHNICAL SPECIFICATIONS

- Ford F-550XL 4x4 4-Door Chassis
- 6.7L Power Stroke V8 330HP Turbo Diesel Engine
- TorqShift 6-Speed Automatic Transmission
- Heavy Duty Aluminum Body
- Five (5) Person Cab Seating
- Darley 2BE Direct Drive Pump w/ Honda 20 HP Engine
- 300-Gallon Poly Tank w/ 10-Gallon Foam Tank
- Two (2) 1" Booster Lines, Ahead of Skid Unit
- Two (2) 1" Discharges, Rear
- One (1) 1 1/2" Preconnect, Left Side Hose Tray
- Trident Foamate Foam System
- Hannay Booster Reel, Left Side Rear
- Floor Mounted Console for Emergency Switches w/ Map/Binder Storage
- Progressive Dynamics On-Board Battery Charger
- Kussmaul Super Auto Eject Shoreline Connection
- Whelen LED Warning Light and Scene Light Package
- Whelen Electronic Siren and 100-Watt Speaker
- Two (2) Akron Brass Extenda-Lite Telescopic Lights
- Diamond Grade Chevron Stripping, Rear
- 7' 5" Overall Height
- 22' 7" Overall Length
- 179" Wheelbase
- 60" Cab to Axle
- 7,500 FAWR
- 14,706 RAWR
- 19,500 GVWR

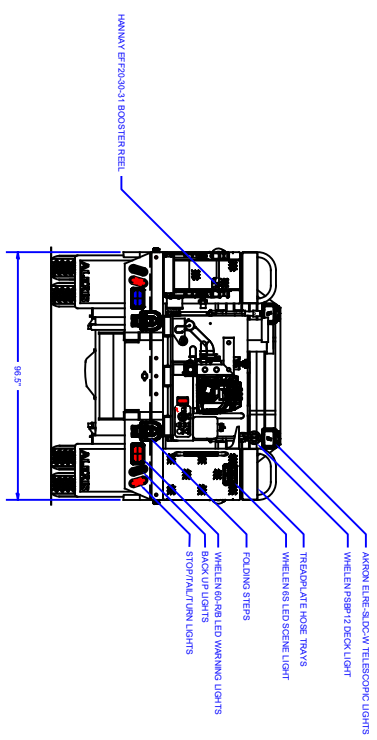
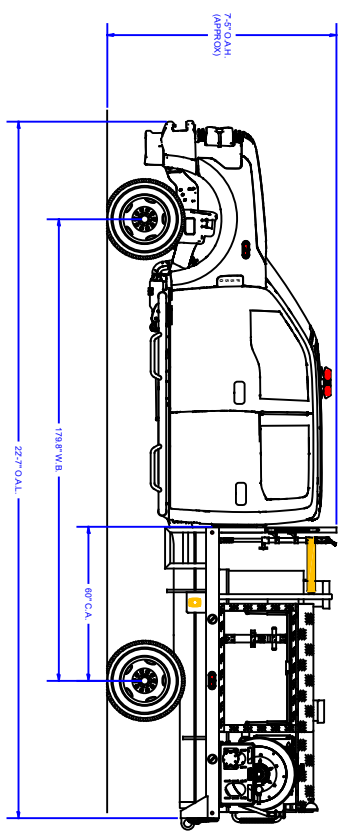
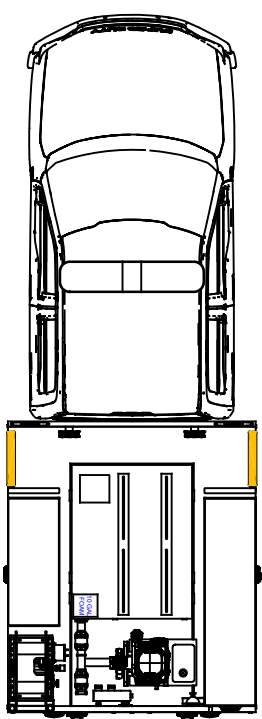
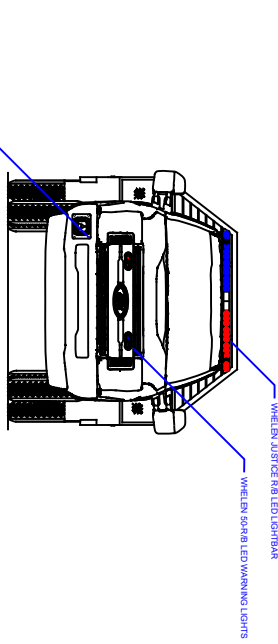
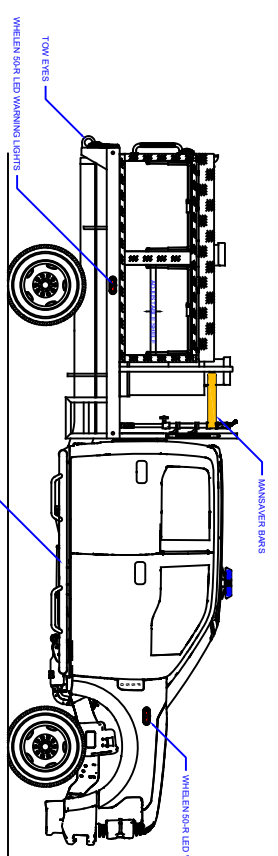


To view more photos and download spec sheet, please visit us at AlexisFire.com.

CUSTOMER APPROVAL SIGNATURE: _____ DATE: _____

SCHUYLER-0001

IN THE EVENT THERE ARE DISCREPANCIES BETWEEN THE DRAWING AND THE SPECIFICATIONS, THE SPECIFICATIONS SHALL PREVAIL.



Pump Info:

Control Location:	Beard
Pump Drive:	Soft Start
Pump Make:	SKID - GAS
Pump Model:	OTHER
Pump GPM:	

COMPARTMENT DIMENSIONS

COMP #	DOOR OPENING SIZES
L1	44" WIDE X 22" HIGH X 20" DEEP
R1 & R2	35" WIDE X 22" HIGH X 20" DEEP

UNLESS OTHERWISE SPECIFIED, DIMENSIONS ARE IN INCHES. (CONVERSIONS ARE NOT GUARANTEED)

ALEXIS FINE EQUIPMENT CO.
P.O. BOX 518, ALEXIS, ILLINOIS 61412

BRUSH TRUCK
SCHUYLER COUNTY FPD
RUSHVILLE, IL

DATE: 06/30/20
BY: J. HENNING
SCALE: 1/2" = 1'
SHEET: 1 OF 2

REVISION/REVISION	DATE	TOWN
DESCRIPTION		

Apparatus Type:	Brush Truck
Chassis:	Ford 4-Door
Tank Capacity:	300
Material:	Aluminum