

FLATBED BRUSH TRUCK

WASHINGTON TOWNSHIP FIRE DEPARTMENT / ARCADIA, OHIO



ALEXIS

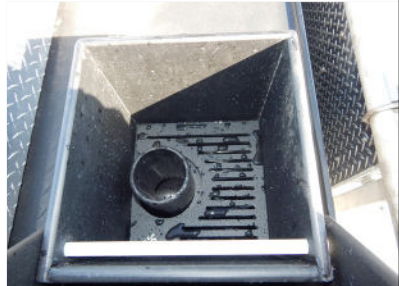


THANK YOU TO THE WASHINGTON TOWNSHIP FIRE DEPARTMENT FOR THE PURCHASE OF THIS UNIT.

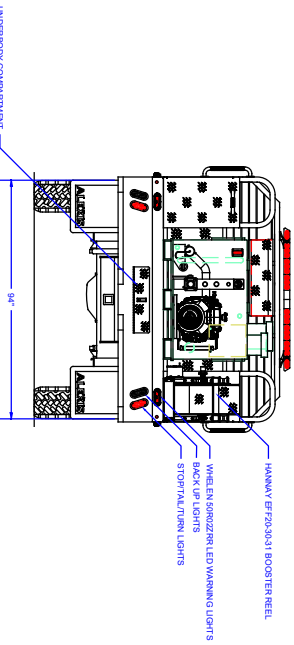
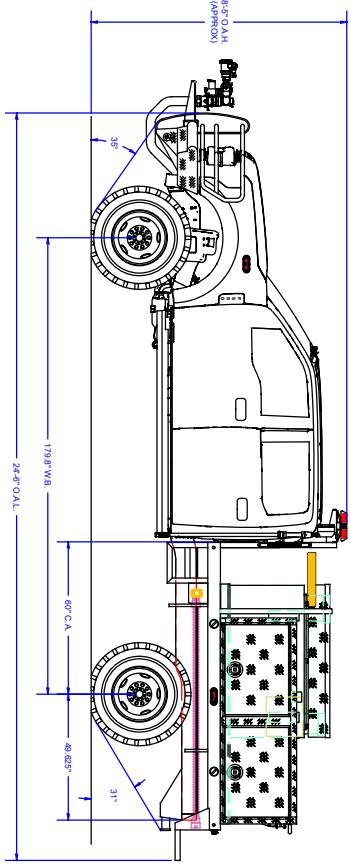
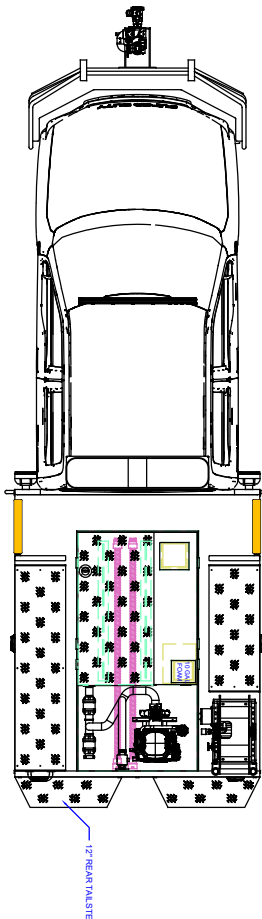
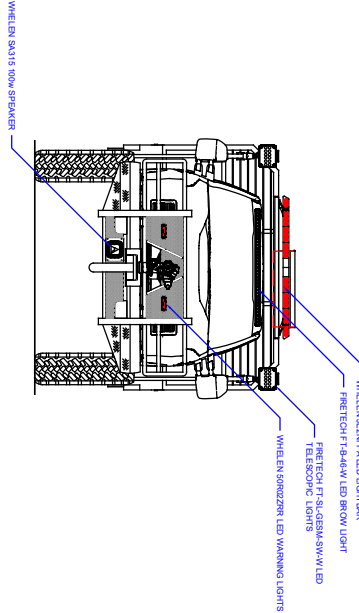
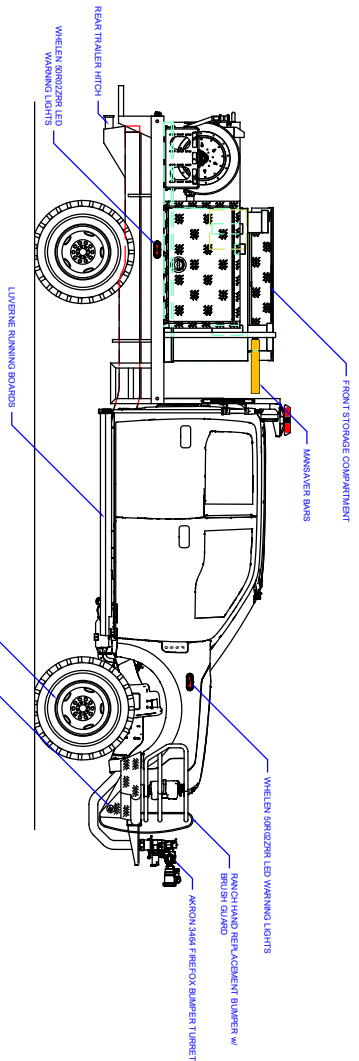


TECHNICAL SPECIFICATIONS

- Ford F-550 Crew Cab Chassis
- 7.3L V8 Gas Engine
- TorqShift 10-Speed Transmission
- Four (4) Person Cab
- Louver black running boards
- EMS Compartment, Rear Cab Interior
- Super Single Tires
- Ranch Hand Brush Guard
- Akron 3463 Front Bumper Turret with Joystick Control
- Warn XD9i Winch with Rear receiver and wiring
- Darley 2BE 21H Direct Drive Skid Mounted Pump
- Honda 20 HP Gas Engine with 5-Gallon Gas Tank
- One (1) Booster Reel 150' of 1", Rear
- Two (2) 10' of 1" Booster Lines
- One (1) 2 1/2" Discharge, Rear
- One (1) 1 1/2" Discharge, Rear
- 300-Gallon Skid Tank
- 10-Gallon Foam Tank with Scotty Through-The-Pump Foam Eductor and Mixer
- Midship Walkway with Two (2) Mansaver bars
- Front Storage Compartment, Walkway accessible
- Two (2) Left and One (1) Right Treadplate Compartments
- One (1) Under Skid Compartment, Rear
- Two (2) 7' x 2 1/2" Hard Suction Hoses
- Progressive Dynamics Battery Charger with 120V Shoreline Connection
- Whelen Warning Light Package
- One (1) FireTech Brow Light
- Two (2) FireTech Telescopic Lights, One (1) Each side front of body
- Whelen Electric Siren & 100W Speaker
- One (1) Back-up Camera with Cab Display
- 24' 5" Overall height
- 179.8" Wheelbase
- 60" Cab to Axle
- 7,500 FAWR
- 12,800 RAWR
- 19,500 GVWR



To view more photos and download spec sheet, please visit us at AlexisFire.com.



REV	DESCRIPTION	DATE	BY	APP	REVISION HISTORY
01	SALES DRAFT	02/07/23	JMH		Pump Model: OTHER

COMP #	DOOR OPENING SIZES
L1 & L2	35" WIDE X 24" HIGH X 17" DEEP
R1	44" WIDE X 24" HIGH X 17" DEEP

COMPARTMENT DIMENSIONS

DESIGN #	DATE	BY	APP
01002	12/18/20	J. HENNING	

UNLESS OTHERWISE SPECIFIED
DIMENSIONS ARE IN INCHES (1/8" = .125")
TOLERANCES ARE NOT DIMENSIONAL

ALEXIS FIRE EQUIPMENT CO.
P.O. BOX 549, ALEXIS, ILLINOIS 62412
BRUSH TRUCK
WASHINGTON TOWNSHIP FIRE DEPT.
ARCADIA, OH

SIZE SCALE: DRAWING
1" = 1'-1"

CONTROL # SK-D29
CONTRACT # SK988
SHEET 1 OF 2