

1900 GALLON PUMPER/TANKER

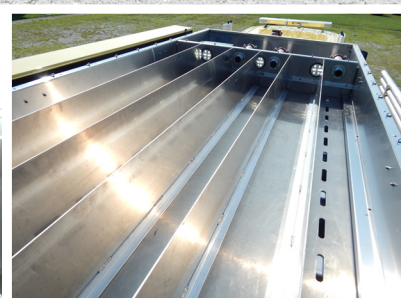
POLK TWP. FIRE DEPARTMENT / PLYMOUTH, IN



ALEXIS



THANK YOU TO THE POLK TWP. FIRE DEPARTMENT FOR THE PURCHASE OF THIS UNIT.



TECHNICAL SPECIFICATIONS

- International HV 607 Extended Cab
- Cummins L9 380 HP Engine
- Allison 3000 EVS Transmission
- Outside Cab Access for Interior Compartment, One (1) Each Side
- Heavy-Duty Stainless-Steel Body & Sub Frame
- Side Control Pump Module-Stainless Steel
- Waterous CXV20 1500 GPM Single Stage Pump
- Stainless Steel Manifold and Plumbing
- FRC Tank Level Gauge with Whelen LED Large Tank Level Lights
- Free Floating Hose Wells in Running Boards, One (1) Each Side
- Matty Dales Preconnects- One (1) 1 3/4" & One (1) 2.5"
- Hose Bed Preconnects-Two (2) 1 3/4" and One (1) 2.5"
- Discharges-Two (2) 2.5" Left Side & Two (2) 2.5" Right Side
- TFT Model XFC-52 Cross Fire Deck Gun with TFT Extend-A-Gun
- Two (2) Dual Wheel Well Air Bottle Compartments
- Rom Roll Up Doors
- 1900 Gallon Poly Tank
- Two (2) 2.5" Gated External Tank Fills
- Newton 10" Swivel Dump with 36" Extension
- Progressive Dynamics Battery Charger with Kusmaul Auto Eject
- Floor Mounted Center Console for Emergency Switches
- Whelen Warning Light Package
- Rub Rail -LED Warning Lights and LED Ground Lighting
- Whelen Siren and Speaker & Federal Q Recess Mounted in Bumper
- Whelen TAL 65 LED Arrow Stick
- Whelen 12 V Scene Light Package
- FRC 12 V Telescopic Lift Lights, One (1) Each Side
- Audiovox Back Up Camera System
- Painted Smooth Aluminum Zico Hydraulic Fold-Da-Tank Rack, Driver's Side
- Electrically Controlled Ladder Rack, Passenger Side
- NFPA Stripping & Chevron Package
- 9' 9" Overall height
- 30' 7" Overall length
- 250" Wheelbase
- 156.7 Cab to Axle
- 16,000 LB FAWR
- 31,000 LB RAWR
- 47,000 LB GVWR

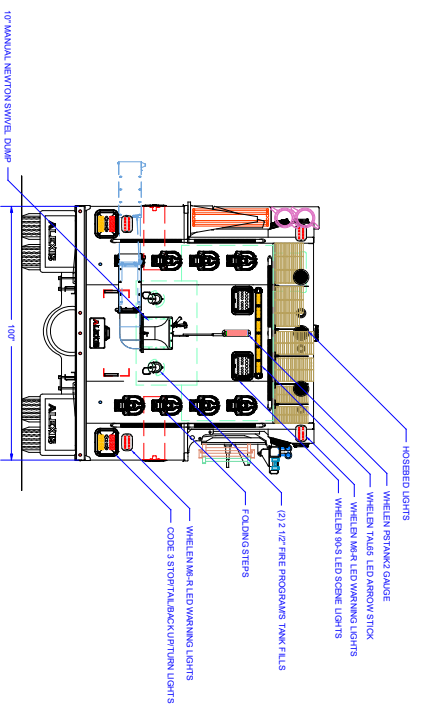
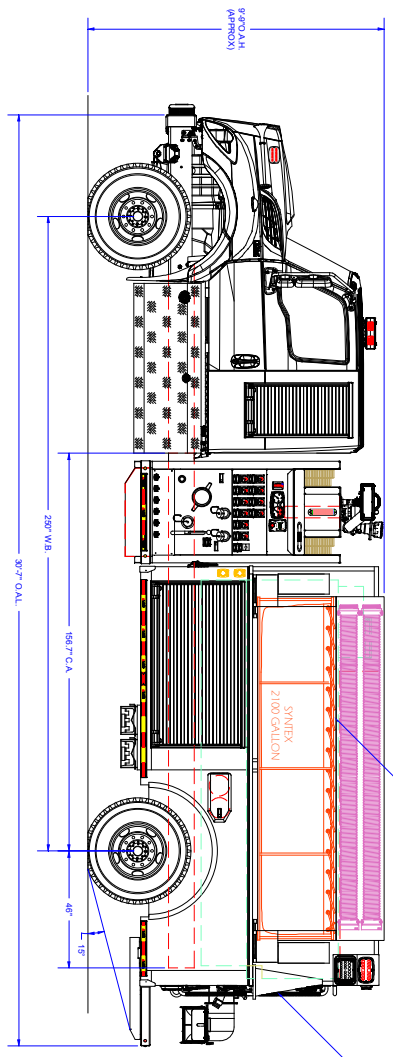
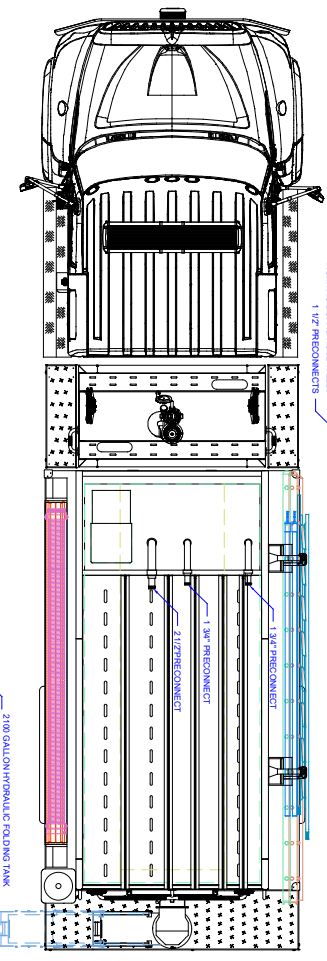
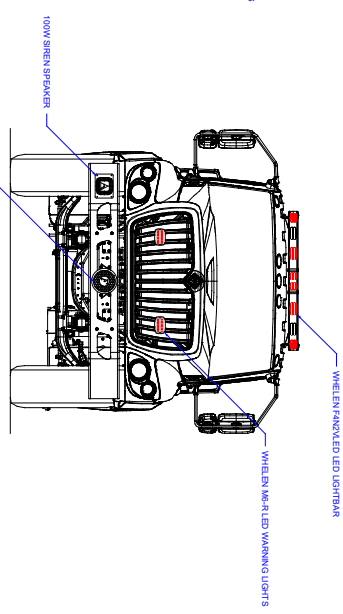
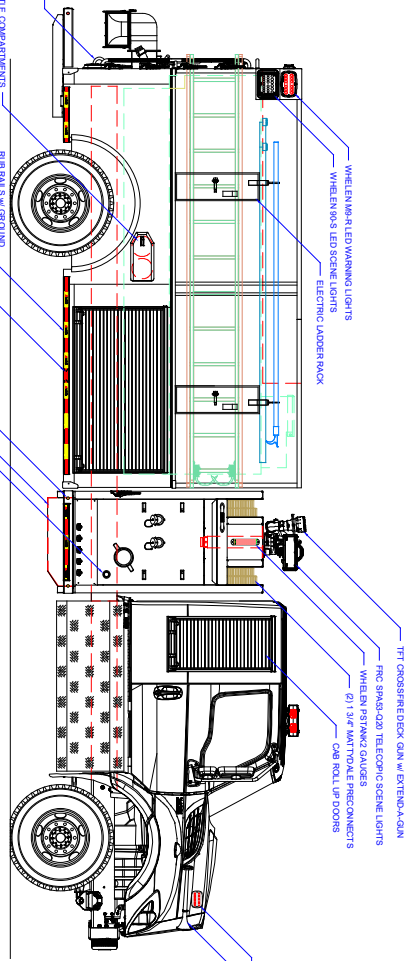


To view more photos and download spec sheet, please visit us at AlexisFire.com.

CUSTOMER APPROVAL SIGNATURE: _____ DATE: _____

POLK-0003

IN THE EVENT THERE ARE DISCREPANCIES BETWEEN THE DRAWING AND THE SPECIFICATIONS THE SPECIFICATIONS SHALL PREVAIL.



COMPARTMENT DIMENSIONS

REV	DESCRIPTION	DATE	BY	APP	CONTROL LOCATION	STATUS
01	CHANGE ORDER 6	3/2/21	JM		Pump Drive	Multiple
02	GOOD CHANGE	7/15/20	MCT		Pump Model	Waterous
03	REVISION	4/10/2017	JM		Pump GPM	1500

REV	DESCRIPTION	DATE	BY	APP	CONTROL LOCATION	STATUS
01	CHANGE ORDER 6	3/2/21	JM		Pump Drive	Multiple
02	GOOD CHANGE	7/15/20	MCT		Pump Model	Waterous
03	REVISION	4/10/2017	JM		Pump GPM	1500

ALEXIS FIRE EQUIPMENT CO.
 P.O. BOX 449, ALEXIS, ILLINOIS 62412

PUMPER-TANKER
 POLK TOWNSHIP
 TYNER, IN

UNLESS OTHERWISE SPECIFIED, DIMENSIONS ARE NOT DIMENSIONAL. THE ORIGINAL SIZE OF THE DRAWING AND THE SIZE OF THE ORIGINAL DRAWING SHALL BE MAINTAINED.

DATE: 4/12/2019
 DRAWN BY: J. HENNING
 CHECKED BY: T. JAY
 SHEET: 1 OF 2