

3500-GALLON WETSIDE TANKER



DELAWARE TOWNSHIP FIRE DEPARTMENT MINDEN CITY, MICHIGAN

TECHNICAL SPECS

- International 7500 2-Door Tandem Chassis
- Navistar N10, 350-HP Diesel Engine
- Allison 3000 EVS Automatic Transmission
- Heavy Duty 3/16" Aluminum Body
- Painted ROM Roll Up Doors
- 3500-Gallon Wetside Poly Tank
- One (1) Newton 10" square manual dump with 36" extension
- One (1) 4" Tank Fill, rear
- Darley 2BE Portable Pump with 21-HP Kubota Diesel engine
- One (1) 2 1/2" Discharge, left side
- Two (2) Electrically controlled spray booms, one (1) each side
- Two (2) 1 1/2" Mattydale Preconnects, behind chassis cab
- Turtle Tile on floors of compartments
- Folding Tank Storage for 3500-Gallon tank, right side compartment top
- Suction Hose Storage tray for two (2) hose, left side compartment top
- Progressive Dynamics on-board battery charger with Viair Air compressor
- Kussmaul Super Auto Eject 120-volt shoreline connection
- Floor mounted console for emergency switches with map/binder storage, cab
- Whelen Electronic Siren with 100-watt Whelen speaker
- Whelen LED Scene Light package
- Whelen LED Warning Light package
- Chevron pattern striping, rear
- 10' 8" Overall height
- 31' 9" Overall length
- 240" Wheelbase
- 172.9" Cab to Axle
- 18,000 FAWR
- 46,000 RAWR
- 64,000 GVWR



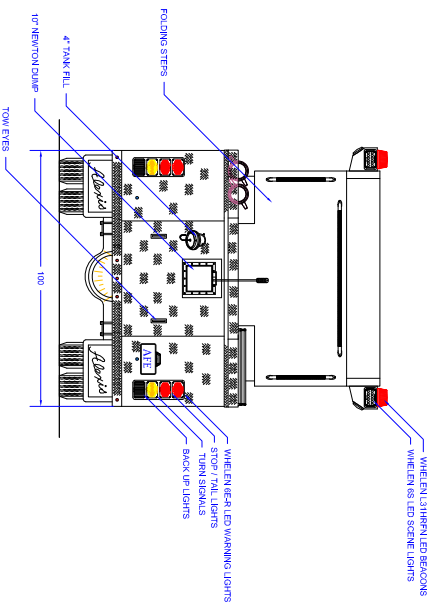
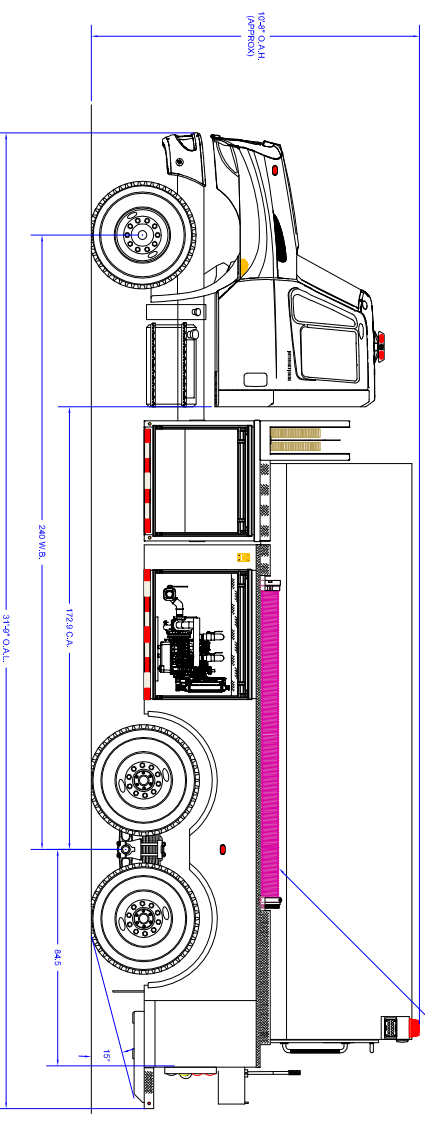
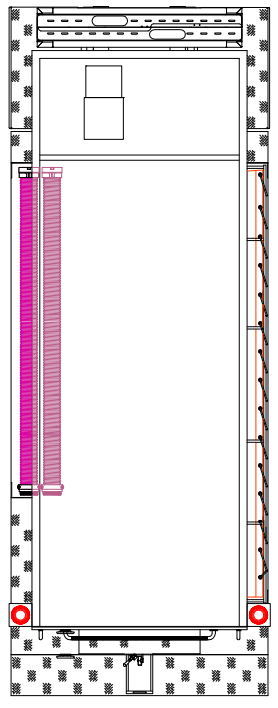
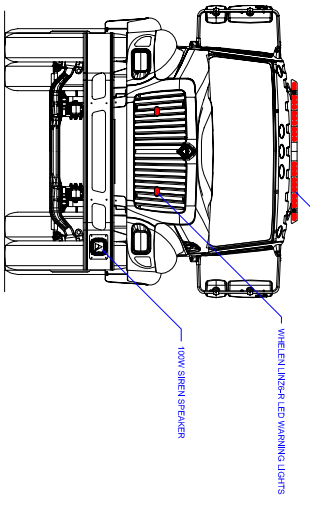
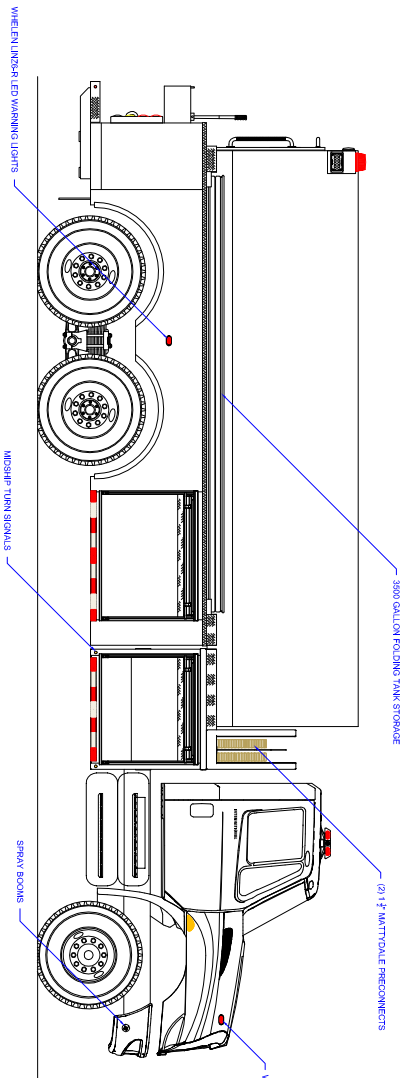
To view more photos,
visit www.AlexisFire.com

WE WOULD LIKE TO THANK
THE DELAWARE TOWNSHIP FIRE
DEPARTMENT FOR THEIR BUSINESS.



Demand To Be Different.

CUSTOMER APPROVAL SIGNATURE: _____ DATE: _____
DELAWARE-0001
 IN THE EVENT THERE ARE DISCREPANCIES BETWEEN THE DRAWING AND THE SPECIFICATIONS, THE SPECIFICATIONS SHALL PREVAIL.



COMPARTMENT DIMENSIONS

COMP #	DOOR OPENING SIZES
1	40\"/>
2	48\"/>

UNLESS OTHERWISE SPECIFIED	FRONT	REAR
DRAWN	M/TNHMM	1/2/1/8
DATE	1/27/18	
SIZE	BOCDE	DWGNO
CONTRACT #	2286	SHEET 1 OF 2

REVISION HISTORY	DATE	BY	DESCRIPTION
01	10/26/17	MKT	AS BUCK CHANGES
02	11/17/17	MKT	BODY REVISION

PUMP INFO	APPARATUS TYPE	TANKER
Control Location:	Under Tank	
Pump Drive:	Duffy	
Pump Model:	OTHER	
Pump GPM:		

CHARACTERISTICS	CHARACTERISTICS	TANKER
Chassis:	Navistar	2-Door
Tank Capacity:	3500	
Material:	Aluminum	

DELTA FIRE EQUIPMENT CO.
 P.O. BOX 569 ALEXIS, LINDSEY 51412
WETSIDE TANKER
 DELAWARE TOWNSHIP FIRE DEPT.
 MANDEN CITY, MICHIGAN
T-H50

DELTA FIRE EQUIPMENT CO. 11/27/18

DELTA FIRE EQUIPMENT CO. 11/27/18

DELTA FIRE EQUIPMENT CO. 11/27/18

DELTA FIRE EQUIPMENT CO. 11/27/18

DELTA FIRE EQUIPMENT CO. 11/27/18

DELTA FIRE EQUIPMENT CO. 11/27/18

DELTA FIRE EQUIPMENT CO. 11/27/18

DELTA FIRE EQUIPMENT CO. 11/27/18

DELTA FIRE EQUIPMENT CO. 11/27/18

DELTA FIRE EQUIPMENT CO. 11/27/18

DELTA FIRE EQUIPMENT CO. 11/27/18

DELTA FIRE EQUIPMENT CO. 11/27/18

DELTA FIRE EQUIPMENT CO. 11/27/18

