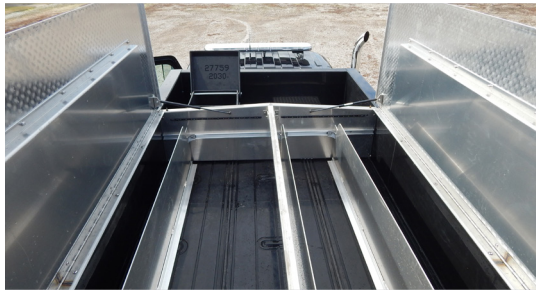


2000 GALLON TANKER #2519



TECHNICAL SPECIFICATIONS

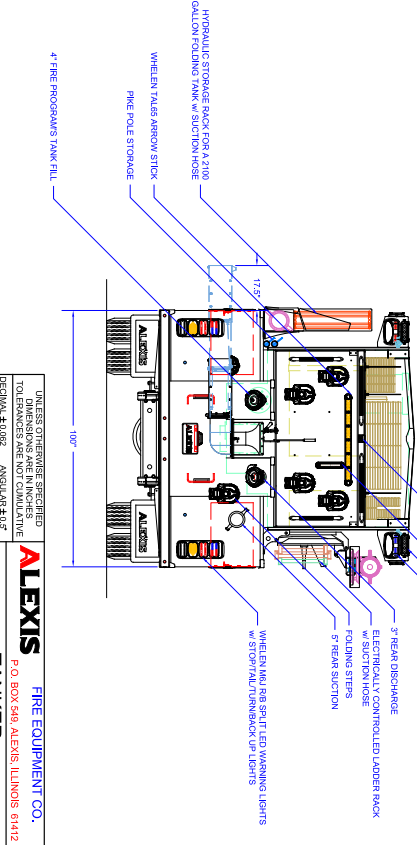
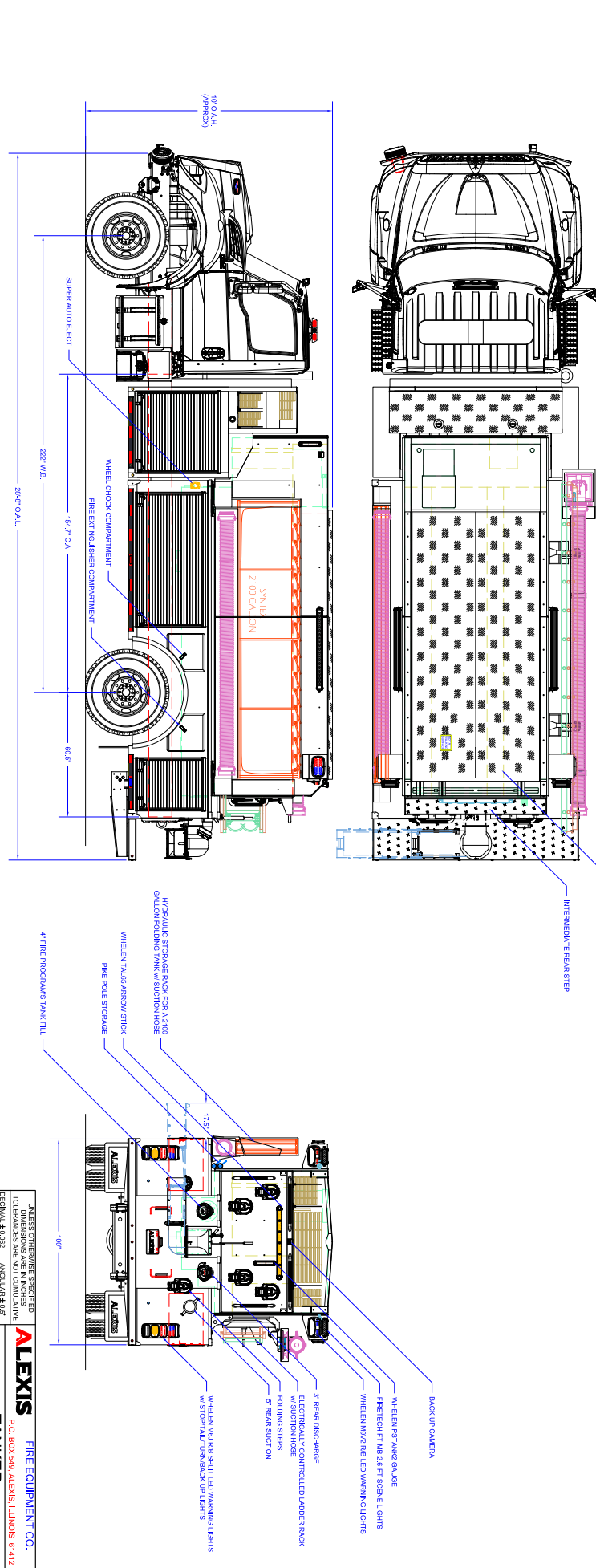
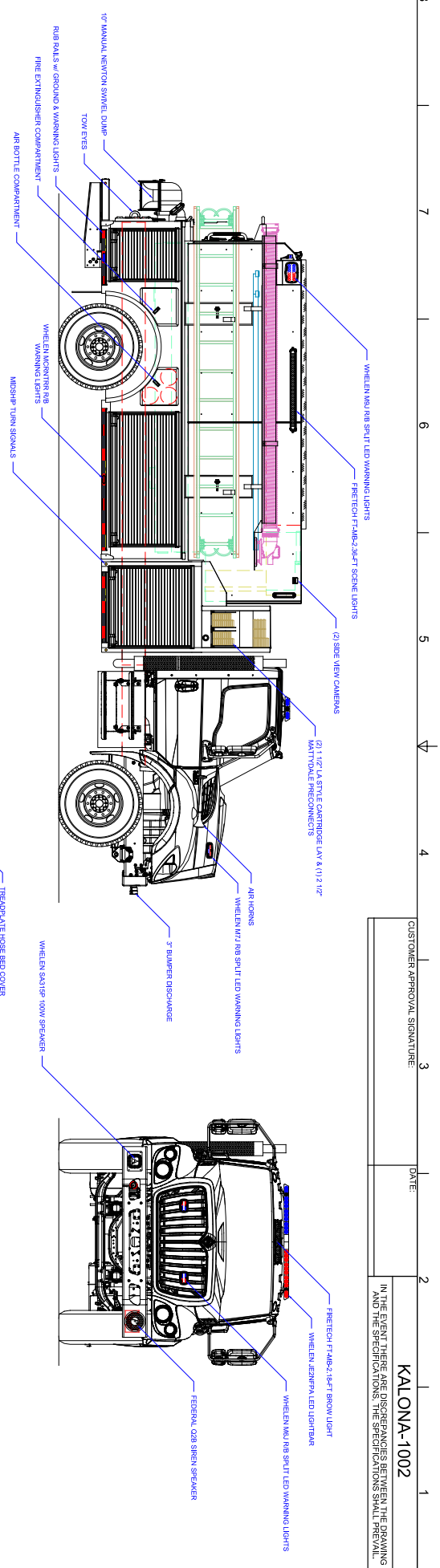
- International HV607 Standard Cab Chassis
- Cummins 3600 HP L9 Engine
- Allison 3000 EVS Automatic Transmission
- Two (2) Person Cab
- Heavy Duty Stainless-Steel Body and Sub-Frame
- Stainless-Steel Pump Module
- Waterous CXVPA 1250 GPM PTO Pump
- Trident Air Prime System Two (2) Location
- FRC Pump Boss Pressure Governor & Monitoring System
- One (1) 6" Intake, Left Side
- One (1) 2½" Gated Intake, Left Side
- One (1) 5" Intake, Adapted to 6" NSTM, Rear
- One (1) 2½" Discharge, Left Side
- One (1) 2½" Mattydale Preconnect
- Two (2) 1½" Cartridge Lay Preconnects
- One (1) 3" Bumper Extension Preconnect
- One (1) 3" Discharge, Rear
- One (1) Triple Wheel Well Air Bottle Compartment, Right Side Ahead of Rear Wheels
- One (1) Fire Extinguisher/Spare SCBA Cylinder Compartment - Left Side, Rear Wheel Well
- 2000 Gallon Poly Tank
- One (1) 4" FirePrograms Tank Fill
- Newton 10" Stainless-Steel Manual Swivel Dump, Rear
- Hose Bed w/ 3 Dividers
- ROM Roll-Up Doors
- Six (6) Folding Steps, Rear
- Progressive Dynamics Battery Charger w/ Compressor
- Kussmaul 20 Amp Super Auto-Eject 120V Shoreline Connection, Left Front Body Post
- Whelen Warning and Scene Light Package
- Whelen TAL65 Traffic Advisor
- Whelen 200W Siren and 100W Speaker
- Federal Q2B Recess Mounted Siren
- Two (2) 8" FireTech Scene Lights, Rear
- Two (2) 40" FireTech Scene Lights, One (1) Each Side
- FireTech Brow Light
- Zico Hydraulic Folding Tank Bracket, Left Side
- Suction Hose Storage on One (1) Each, Ladder Rack and Folding Tank Rack
- 10' 0" Overall Height
- 28' 8" Overall Length
- 222" Wheelbase
- 154.7" Cab to Axle
- 16,000 FAWR
- 31,000 RAWR
- 47,000 GVWR



CUSTOMER APPROVAL SIGNATURE: _____ DATE: _____

KALONA-1002

IN THE EVENT THERE ARE DISCREPANCIES BETWEEN THE DRAWING AND THE SPECIFICATIONS, THE SPECIFICATIONS SHALL PREVAIL.



COMPARTMENT DIMENSIONS

COMP #	DOOR OPENING SIZES
L1 & R1	63\"/>

REVISION HISTORY	DATE	BY	DESCRIPTION
REV 02	4/4/22	MAT	SALES UPDATES
REV 01	10/13/21	JUP	PRICEBOOK UPDATES

Control Location	Under Tank
Pump Drive	PTO
Chassis	Navigator 2-Door
Tank Capacity	2000

APPARATUS TYPE	Tanker
Chassis	Navigator 2-Door
Tank Capacity	2000
Material	Stainless Steel

UNLESS OTHERWISE SPECIFIED, DIMENSIONS ARE IN INCHES. DIMENSIONS ARE NOT CONSIDERED TO BE TOLERANCES.

ALEXIS FIRE EQUIPMENT CO.
P.O. BOX 569, ALEXIS, ILLINOIS 61412
KALONA VFD
KALONA, IA

DATE: 3/23/22
DRAWN BY: J. HENNING
MATERIAL: GALVANNEAL & 1116 METRIC & 1.5mm

SIZE SCALE: D 1/2\"/>

CONTRACT # 2519 SHEET 1 OF 2