

FLATBED BRUSH TRUCK

J H KETCHAM HOSE COMPANY INC. / DOVER PLAINS, NEW YORK



ALEXIS

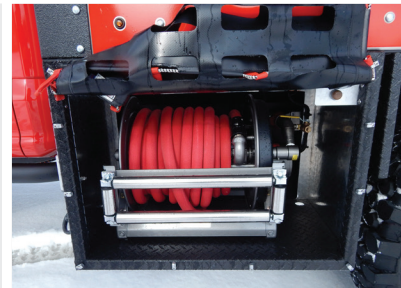


THANK YOU TO J H KETCHAM HOSE COMPANY INC.
FOR THE PURCHASE OF THIS UNIT.

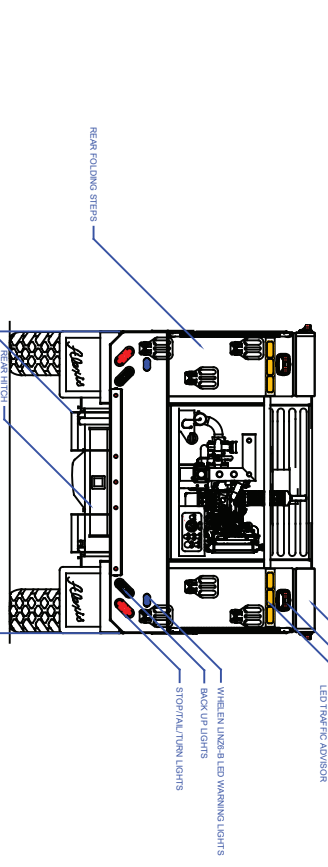
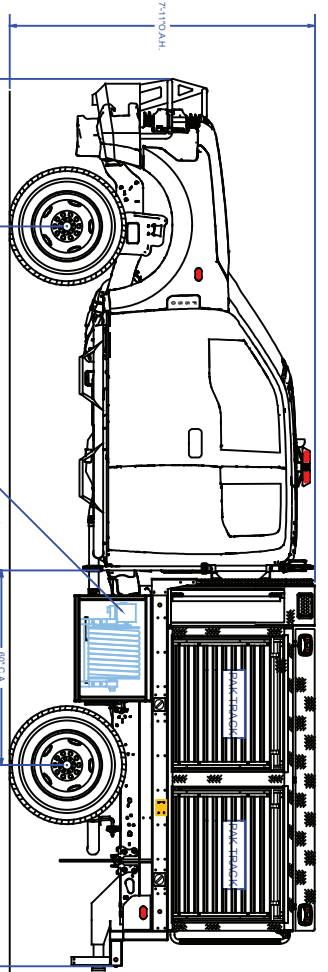
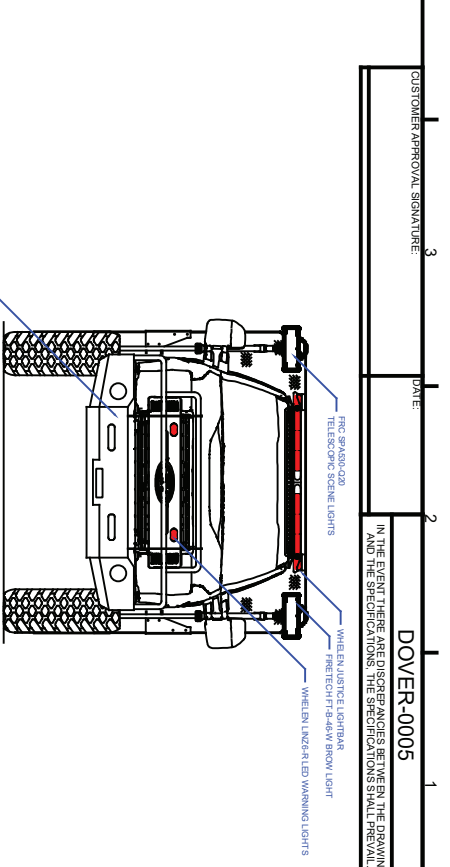
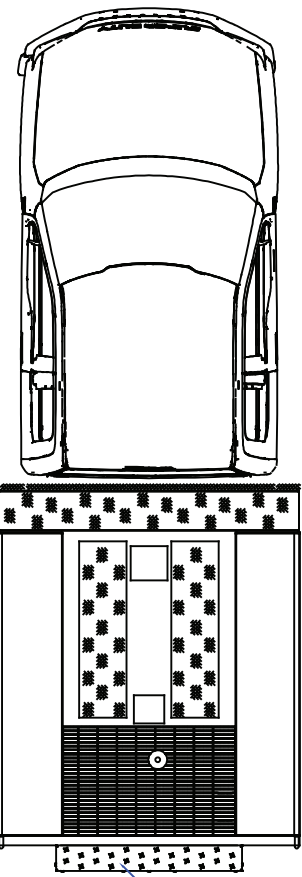
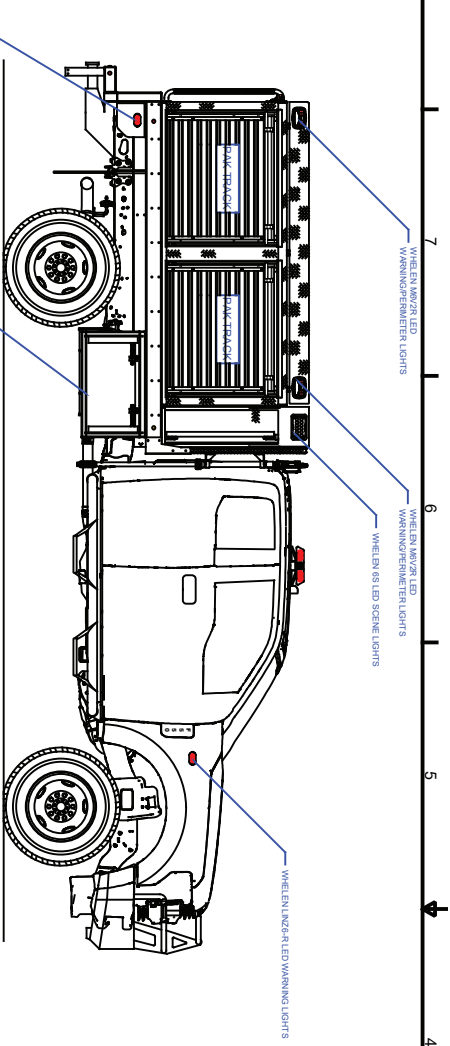


TECHNICAL SPECIFICATIONS

- Ford F-550 XL Super Cab 4x4 DRW Chassis
- Ford Power Stroke 6.7L V8, 330-HP Diesel Engine
- Ford Torqshift 6-speed Automatic Transmission
- Heavy Duty Aluminum Flatbed Body
- Transverse Front compartment with tool boards and Power Ventilation System
- One (1) Compartment each side with two (2) doors each
- ROM painted Roll Up Doors
- One (1) Under body compartment, right side
- Two (2) Hose trays, one (1) each side compartment top
- Luerne Black Baja Steps
- Reese type rear hitch with electrical connections
- Buckstop Single rear wheel conversion kit
- Buckstop Brush Guard bumper with Warn 15,000 lb integrated Winch
- 300-Gallon Poly skid Tank with 20-Gallon Foam tank
- Darley 2BE Pump with 21-HP Kubota Diesel Engine
- One (1) 2 1/2" Discharge, rear
- Three (3) 1 1/2" Discharges, rear
- One (1) 3/4" Indian Pack Fill, rear
- Scotty Around the Pump Foam Inductor/Mixer
- One (1) Hannay Electric Booster Reel with 50-ft of 1" Hose
- Floor mounted console for emergency switches, cab
- Progressive Dynamics on-board battery charger
- Kussmaul Super Auto Eject 120-volt shoreline connection
- Whelen and Fire Research LED Scene Light Packages
- FireTech LED Brow Light
- Code 3 Electronic Siren with 100-watt Code 3 speaker
- Whelen LED Warning Light Package
- Diamond Grade Chevron pattern striping, rear
- 7' 11" Overall height
- 23' .5" Overall length
- 167.9" Wheelbase
- 60" Cab to Axle
- 7,500 FAWR
- 12,800 FAWR
- 19,500 GVWR



To view more photos and download spec sheet, please visit us at AlexisFire.com.



CUSTOMER APPROVAL SIGNATURE: _____ DATE: _____

DOVER-0005

IN THE EVENT THERE ARE DISCREPANCIES BETWEEN THE DRAWING AND THE SPECIFICATIONS, THE SPECIFICATIONS SHALL PREVAIL.

| COMPARTMENT DIMENSIONS | |
|--------------------------------|--------------------------------|
| DOOR # | COUP # |
| 10" WIDE X 38" HIGH X 17" DEEP | 10" WIDE X 38" HIGH X 17" DEEP |
| 40" WIDE X 31" HIGH X 17" DEEP | 40" WIDE X 31" HIGH X 17" DEEP |
| 30" WIDE X 16" HIGH X 18" DEEP | 30" WIDE X 16" HIGH X 18" DEEP |

| PUMP INFO: | |
|-------------------|-----------------------|
| Control Location: | Rear |
| Pump Drive: | Chassis, Ford 2.0Diel |
| Pump Make: | Star - Diesel |
| Pump Model: | Star Capacity: 300 |
| Pump GPM: | Star Capacity: 300 |

| | |
|---------------|------|
| MANUFACTURER: | STAR |
| MODEL: | 300 |
| YEAR: | 2024 |
| SALES UNIT: | SE |
| SALES UNIT: | SE |
| SALES UNIT: | SE |
| SALES UNIT: | SE |
| SALES UNIT: | SE |

BRUSH TRUCK
 P.O. BOX 588 ALEXIS (ILINOIS) 61412

JH KETCHAM HOSE CO. INC.
 DOVER, NY

| | |
|-----------|--------|
| SIZE | 34\"/> |
| CONTING # | SK-C53 |
| SHEET | 1 OF 2 |