

1000 GALLON TOP MOUNT PUMPER

HOOPESTON FIRE DEPARTMENT / HOOPESTON, IL



ALEXIS



THANK YOU TO THE HOOPESTON FIRE DEPARTMENT FOR THE PURCHASE OF THIS UNIT.



TECHNICAL SPECIFICATIONS

- International HV607 4-Door Chassis
- Cummins L9, 350-HP Diesel Engine
- Allison 3000 EVS Automatic Transmission
- Heavy-Duty Stainless-Steel Body
- Stainless-Steel Subframe
- Five (5) Person Cab Seating with Four (4) SCBA Seats
- ROM Roll Up Doors
- 1000-Gallon Poly Tank
- One (1) Newton 10" Square Manual Swivel Dump with 36" Extension
- Waterous CXSC20 1500 GPM Pump
- Four (4) 2½" Discharges, Two (2) Left, One (1) Right, and One (1) Rear
- One (1) 3" Discharge, Right Side
- One (1) 2½" Gated Suction, Left Side
- Two (2) Cartridge Lay Preconnects
- Two (2) Triple Wheel Well Air Bottle Compartments, One (1) on Each Side
- Two (2) Wheel Well Storage Compartments, One (1) on Each Side
- Ladder Storage, Rear Compartment
- Fire Programs 2½" Rear Tank Fill Valve
- Akron Apollo Deck Gun
- One (1) Hannay Hose Reel with 150' of Hose, Rear Compartment
- Progressive Dynamics On-Board Battery Charger
- Kussmaul Super Auto Eject 120-Volt Shoreline Connection
- Floor Mounted Console for Emergency Switches, Cab
- Two (2) Hadley Air Horns
- One (1) Whelen Siren with One (1) 100-Watt Speaker
- Two (2) Firetech 40" Scene Lights, One (1) on Each Side
- Whelen LED Warning Light Package
- Diamond Grade Chevron Pattern Striping, Rear
- Overall Height 9' 8"
- Overall length 33' 11"
- 268" Wheelbase
- 157" Cab to Axle
- 16,000 FAWR
- 30,000 RAWR
- 46,000 GVWR



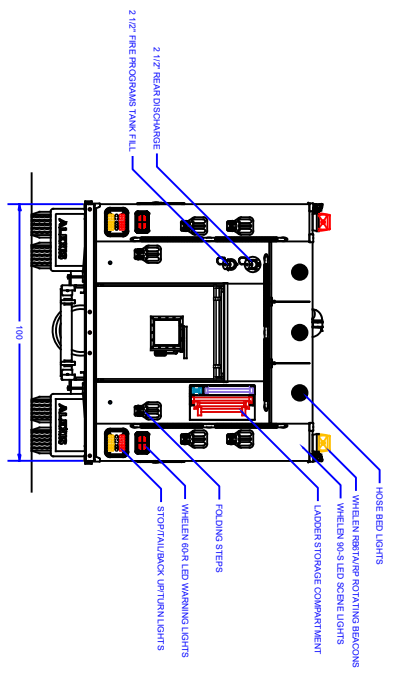
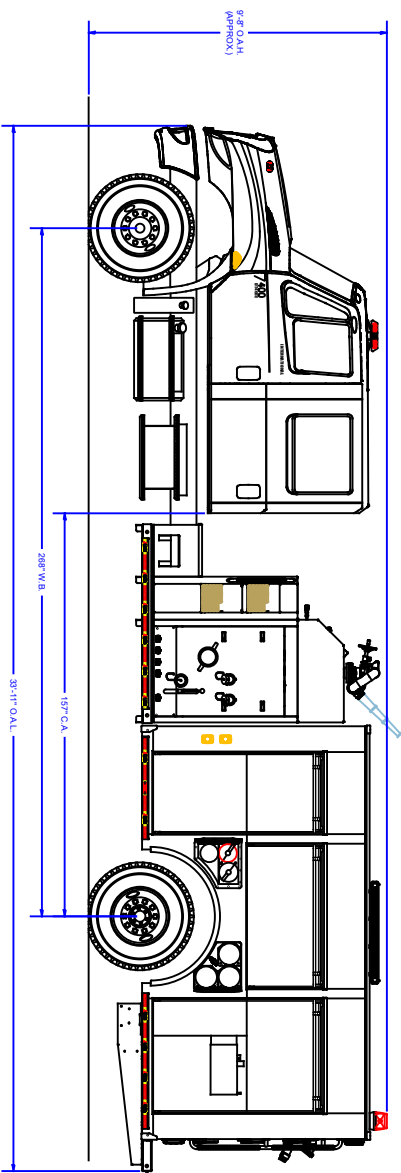
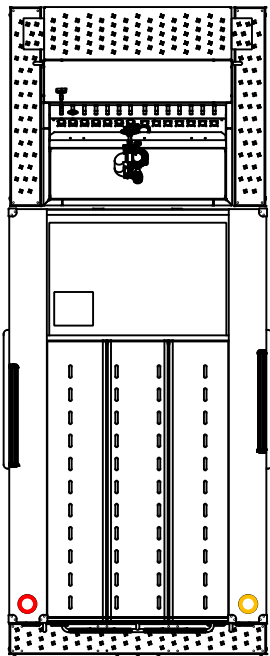
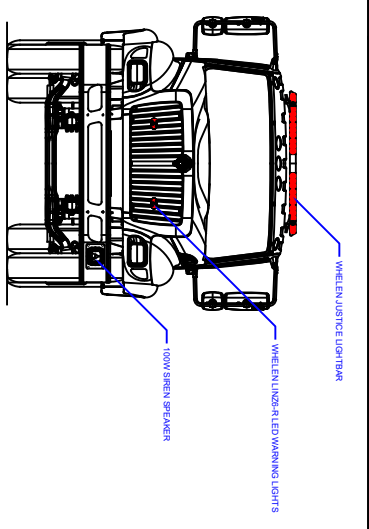
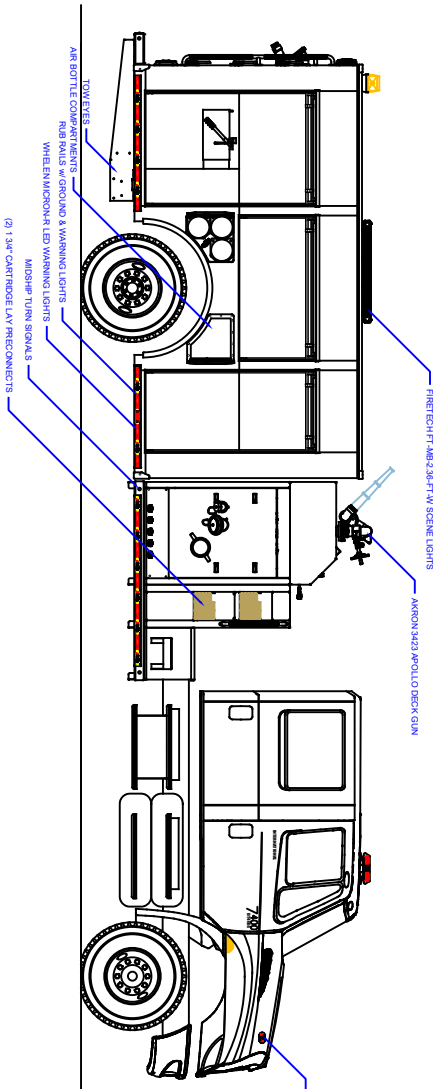
To view more photos and download spec sheet, please visit us at AlexisFire.com.

DATE: _____

CUSTOMER APPROVAL SIGNATURE: _____

HOOPESTON-1004

IN THE EVENT THERE ARE DISCREPANCIES BETWEEN THE DRAWING AND THE SPECIFICATIONS, THE SPECIFICATIONS SHALL PREVAIL.



COMPARTMENT DIMENSIONS

COMP #	DOOR OPENING SIZES
L1 & R1	30\"/>
L2 & R2	54\"/>
L3 & R3	42\"/>
REAR	36\"/>

PUMP INFO:	
Control location:	Top
Pump Drive:	Split Shaft
Pump Make:	Vermorel
Pump Model:	CXS Series (Pump Horn)
Pump GPM:	1500

APPLIANCE TYPE: PUMPER	
Chassis:	Navistar 4-Door
Tank Capacity:	1000
Material:	Stainless Steel

ALEXIS FIRE EQUIPMENT CO.
 P.O. BOX 518, ALEXIS, ILLINOIS 61412

PUMPER
 HOOPESTON FIRE DEPT
 HOOPESTON, IL

SIZE: 12' x 11'
 PART NO: P-W97
 SHEET: 1 OF 2

UNLESS OTHERWISE SPECIFIED, DIMENSIONS ARE IN INCHES. TOLERANCES ARE AS SHOWN. DRAWING IS THE PROPERTY OF ALEXIS FIRE EQUIPMENT CO. AND IS NOT TO BE REPRODUCED OR TRANSMITTED IN ANY FORM OR BY ANY MEANS, ELECTRONIC OR MECHANICAL, INCLUDING PHOTOCOPYING, RECORDING, OR BY ANY INFORMATION STORAGE AND RETRIEVAL SYSTEM.

DATE: 8/22/18