

ERIE FIRE PROTECTION DISTRICT

ERIE FIRE PROTECTION DISTRICT / ERIE, ILLINOIS



ALEXIS

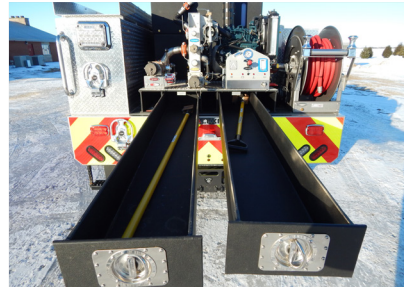


THANK YOU TO THE ERIE FIRE PROTECTION DISTRICT FOR THE PURCHASE OF THIS UNIT.



TECHNICAL SPECIFICATIONS

- Ford F-550XL 4x4 4-Door Chassis
- 6.7L Power Stroke V8 330HP Turbo Diesel Engine
- TorqShift 10-Speed Automatic Transmission
- Heavy Duty Aluminum Body
- Four (4) Person Cab Seating
- Warn XD9000i Multi-Mount Winch Kit
- Buckstop Replacement Bumper w/ Brush Guard
- Darley 1 1/2 AGE GPM Pump w/ Kubota 21 HP Diesel Engine
- 300-Gallon Poly Tank
- One (1) 2 1/2" Discharge, Rear
- One (1) 1 1/2" Discharge, Rear
- One (1) 2 1/2" Gated Suction, Rear
- Akron Forestry Monitor, Front Bumper
- Hannay Booster Reel, Right Side Rear
- Zico Air Bottle Rack w/ Four (4) Compartments, Right Side
- Two (2) Under Skid Tool Compartments
- Floor Mounted Console for Emergency Switches, Cab
- Progressive Dynamics On-Board Battery Charger
- Kussmaul Super Auto Eject Shoreline Connection
- Whelen LED Warning Light Package
- FireTech LED Scene Light Package
- Whelen Electronic Siren and 100-Watt Speaker
- Audiovox Color Observation Back-up Camera System
- Diamond Grade Chevron Stripping, Rear
- 7' 11" Overall Height
- 23' 8" Overall Length
- 179.8" Wheelbase
- 60" Cab to Axle
- 7,500 FAWR
- 14,706 RAWR
- 19,500 GVWR

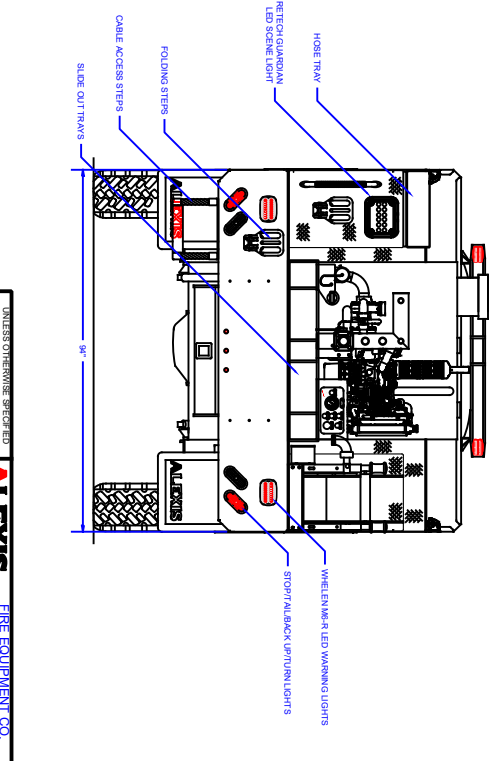
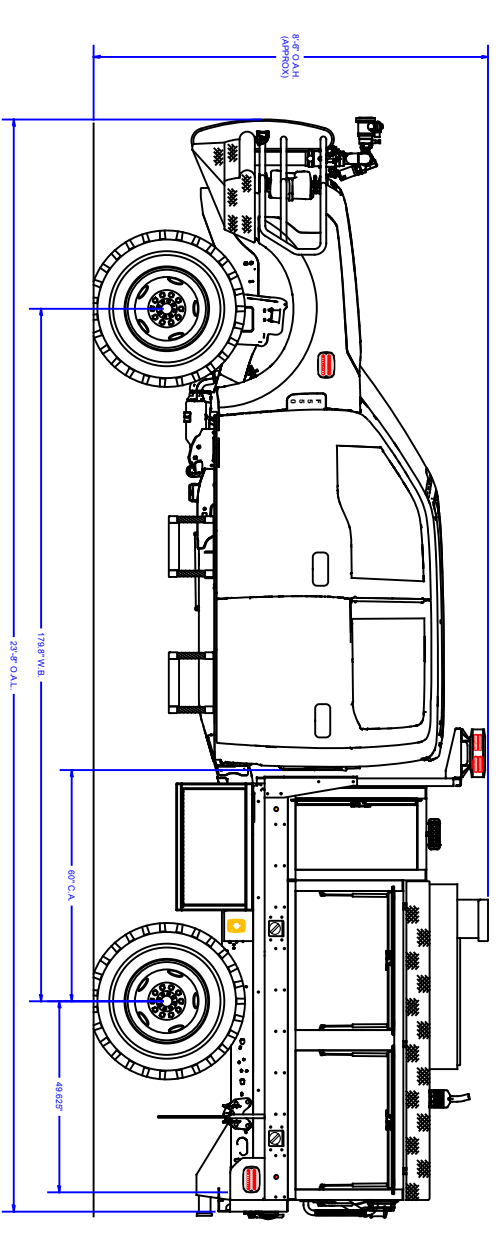
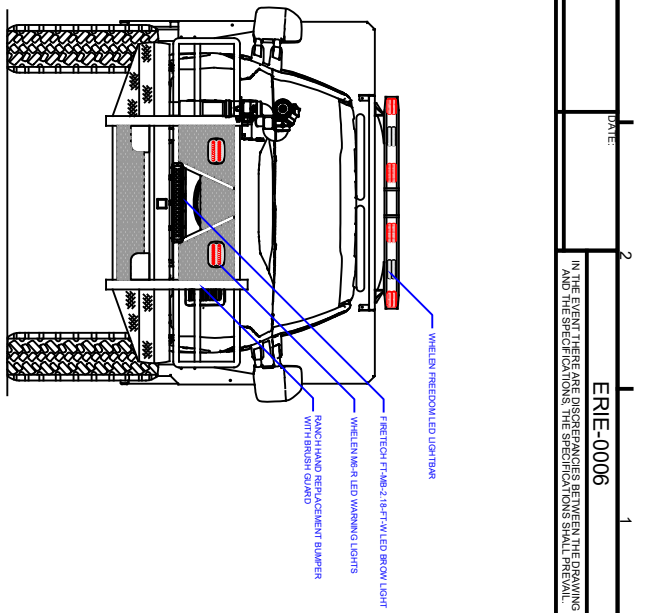
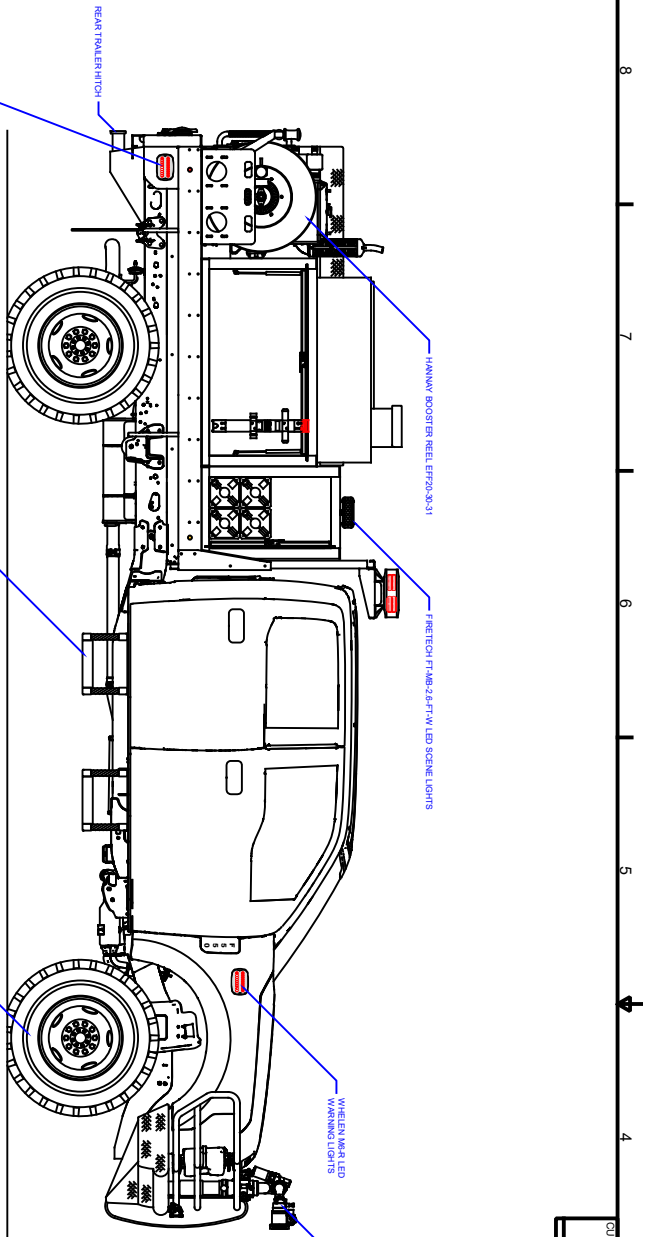


To view more photos and download spec sheet, please visit us at AlexisFire.com.

CUSTOMER APPROVAL SIGNATURE: _____ DATE: _____

ERIE-0006

IN THE EVENT THERE ARE DISCREPANCIES BETWEEN THE DRAWING AND THE SPECIFICATIONS, THE SPECIFICATIONS SHALL PREVAIL.



REVISION HISTORY

REV	DESCRIPTION	DATE	BY
01	CHASSIS SPEC A	12/02	JMH
02	SALES UPDATES	12/02	JMH
03	SALES UPDATES	08/10	JMH
04	SALES UPDATES	02/09	JMH
05	SALES UPDATES	02/11	JMH

Pump Info:

Item	Value
Control Location	Rear
Chassis	Front 4-Door
Tank Capacity	300

COMPARTMENT DIMENSIONS

COMP #	DOOR OPENING SIZES
L1 & L2	16" WIDE X 31" HIGH X 18" DEEP
R1	48" WIDE X 26" HIGH X 17" DEEP

UNLESS OTHERWISE SPECIFIED, DIMENSIONS ARE IN INCHES. (CONVERSIONS ARE NOT GUARANTEED)

ALEXIS FIRE EQUIPMENT CO.
 P.O. BOX 518, ALEXIS, ILLINOIS 61412

BRUSH TRUCK
 ERIE FIRE PROT DIST
 ERIE, IL

DATE: 5/16/2019
 BY: J HENNING
 SIZE: 1/2" = 1"
 SHEET: 1 OF 2