

3000-GALLON PUMPER/TANKER

PROSPECT HEIGHTS FIRE PROTECTION DISTRICT / PROSPECT HEIGHTS, IL



ALEXIS



THANK YOU TO PROSPECT HEIGHTS FIRE PROTECTION DISTRICT FOR THE PURCHASE OF THIS UNIT.



TECHNICAL SPECIFICATIONS

- Freightliner M2 106 2-Door Tandem Chassis
- Cummins ISL, 350-HP Diesel Engine
- Allison 3000 EVS Automatic Transmission
- Heavy Duty Stainless Steel Body and Sub frame
- ROM Roll Up Doors
- 3000-Gallon Wet Side Poly Tank
- One (1) 2 1/2" Fireman's Friend Tank fill, rear
- One (1) Newton 10" square manual swivel tank dump with 36" extension, rear
- Darley PSM, 1250-GPM Pump
- Pump Operator's panel under tank on left side
- Three (3) 2 1/2" Discharges, two (2) left side and one (1) right side
- One (1) 3" Discharge, right side
- Two (2) 1 1/2" and one (1) 2 1/2" Mattydale Preconnects
- One (1) 2 1/2" Gated Suction, left side
- Folding Tank rack storage, top of compartments left side
- Ladder & Pike pole storage, top of compartments right side
- Suction hose storage, hose bed
- Four (4) Air pack brackets, two (2) each side rear compartment
- Floor mounted console for Emergency switches, cab
- Air coupling for external compressor
- Code 3 Electronic Siren with 100-watt Code 3 speaker
- Code 3 & Whelen Pioneer Plus LED Scene Light Packages
- Code 3 LED Warning Light Package
- Diamond Grade Chevron pattern striping, rear
- 9' 11" Overall height
- 33' 2" Overall length
- 248" Wheelbase
- 182.45" Cab to Axle
- 16,000 FAWR
- 40,000 RAWR
- 56,000 GVWR

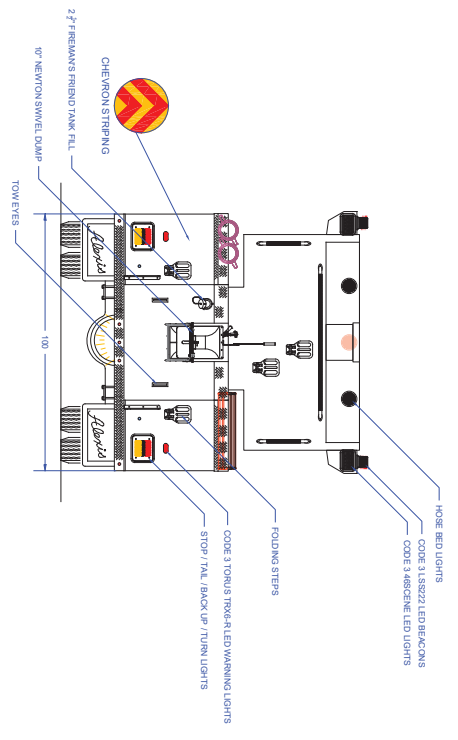
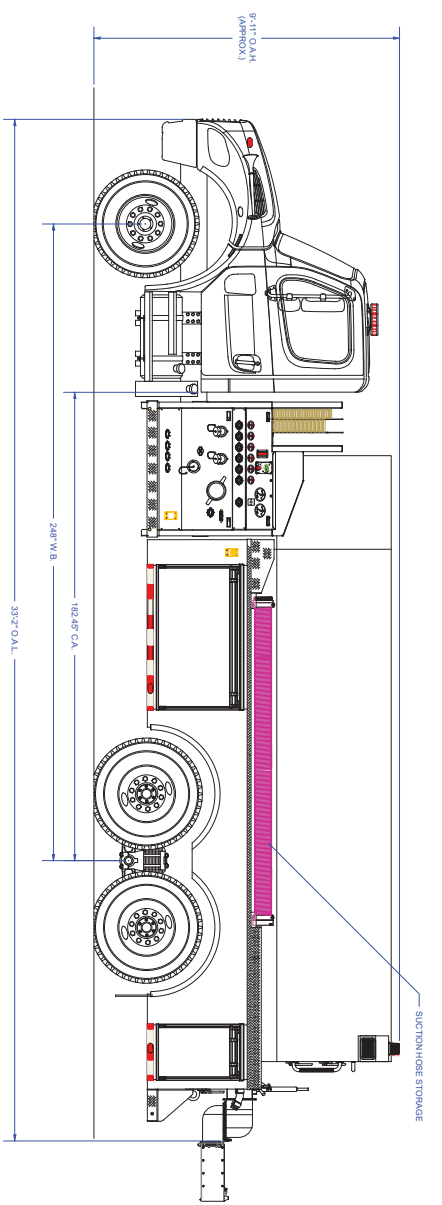
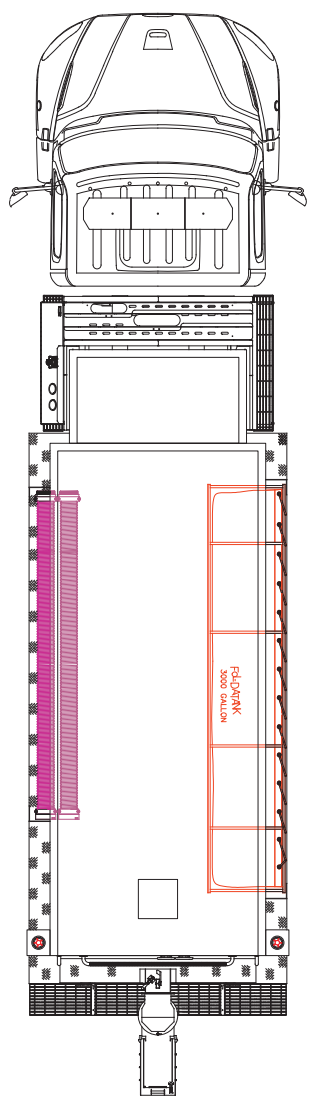
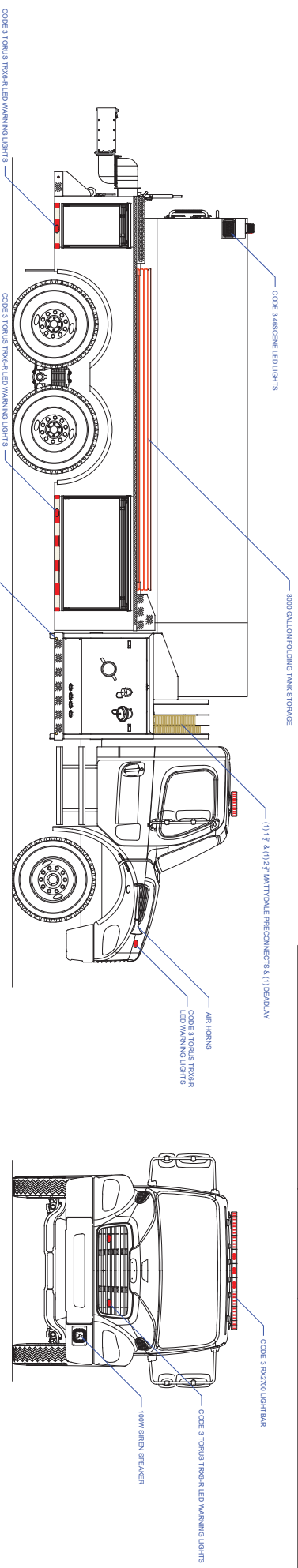


To view more photos and download flyer, please visit us at AlexisFire.com.

CUSTOMER APPROVAL SIGNATURE: _____

DATE: _____

AFF-2283
 IN THE EVENT THERE ARE DISCREPANCIES BETWEEN THE DRAWING AND THE SPECIFICATIONS, THE SPECIFICATIONS SHALL PREVAIL.



COMPARTMENT DIMENSIONS

REV	DESCRIPTION	DATE	OWN	APP	COMP #	DOOR OPENING SIZES
01	SHASL UPDATES	9/10/15	DAV	PM	L1 & R1 L2 & R2	54" WIDE X 27" HIGH X 26" DEEP 19" WIDE X 27" HIGH X 26" DEEP

Pump Info:

Control location:	Under Tank
Pump Drive:	DTIC
Pump Make:	Darby
Pump Model:	PSM
Pump GPM:	1250

Apparatus Type: Tanker

Chassis:	Freightliner 2-Door
Tank Capacity:	3000
Material:	Stainless Steel

Roberts FIRE EQUIPMENT CO.
 PO BOX 568 ALENS ILLINOIS 61412

WETSIDE TANKER
 PROSPECT HEIGHTS FIRE PROT DIST
 PROSPECT HEIGHTS, IL

UNLESS OTHERWISE SPECIFIED DIMENSIONS ARE IN INCHES	FRSCTO: 4.16	AMTRAC: 4.16
DATE OF DRAWING: 8/27/15	SIZE SCALE: D 1/2" = 1'	DWG NO: TP-A01
MATERIAL: M/TNKMM	CONTACT #	2283