

SIDE CONTROL EQUALIZER PUMPER

VALMEYER FIRE PROTECTION DISTRICT / VALMEYER, ILLINOIS



ALEXIS



THANK YOU TO THE VALMEYER FIRE PROTECTION DISTRICT FOR THE PURCHASE OF THIS UNIT.



TECHNICAL SPECIFICATIONS

- Freightliner M2 106 4-Door Chassis
- Cummins L9 350-HP Diesel Engine
- Allison 3000 EVS Automatic Transmission
- Heavy Duty Stainless-Steel Body & Sub-Frame
- ROM Painted Roll-up Doors
- On Spot Chains
- Five (5) Person Cab Seating w/ Four (4) SCBA Seats
- Hale DSD 1500-GPM Pump
- 1000 Gallon Poly Tank
- Two (2) 6" Suctions, one (1) Each Side
- Two (2) 2 1/2" Front of Hosebed Preconnects
- Two (2) 2 1/2" Discharges, one (1) Left, one (1) Right
- Three (3) 3" Discharges, one (1) Right, one (1) Rear, one (1) Deck Gun
- Two (2) 1 1/2" Cartridge Lay Preconnects
- One (1) Gated Suction, Left Side
- One (1) 2 1/2" Tank Fill, Right Side
- Hannay 1" Booster Reel, Right Side
- Waterous Aquis Foam System w/ 20-Gallon Tank
- Akron Apollo Monitor w/ TFT Extend-a-Gun
- Three (3) Double Air Bottle Storage Compartments, two (2) Right, one (1) Left
- Ladder/Suction Hose/Pike Pole Storage, Through the Tank
- Backboard Storage, L3/R3 Transverse Area
- Progressive Dynamics Battery Charger w/ Viair Air Compressor
- Kussmaul Auto Eject Shoreline Connection
- Floor Mounted Console for Emergency Switches w/ Map/Binder Storage
- Whelen LED Warning Light Package
- Whelen Electronic Siren w/ 100-Watt Speaker
- Whelen LED Traffic Advisor Arrow Stick
- FireTech LED Scene Lights
- Fire Research LED Telescopic Scene Lights
- Diamond Grade Chevron Striping, Rear
- 9' 11" Overall Height
- 32' 6" Overall Length
- 240" Wheelbase
- 127.54" Cab to Axle
- 14,700 FAWR
- 31,000 RAWR
- 47,600 GVWR

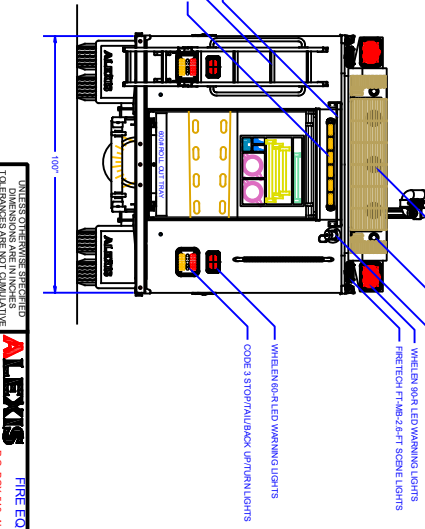
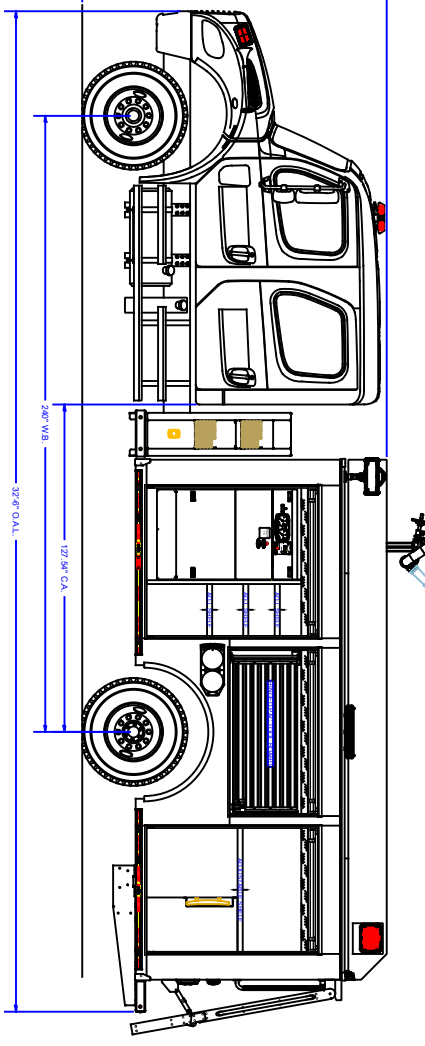
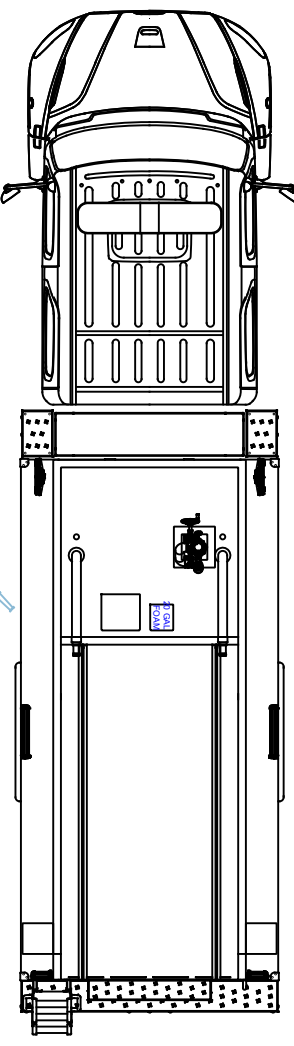
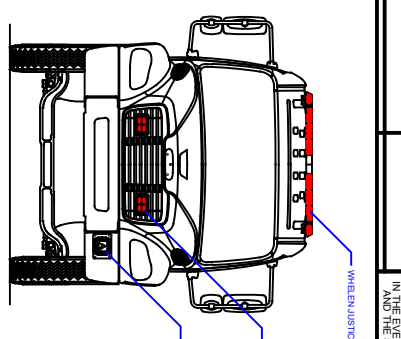
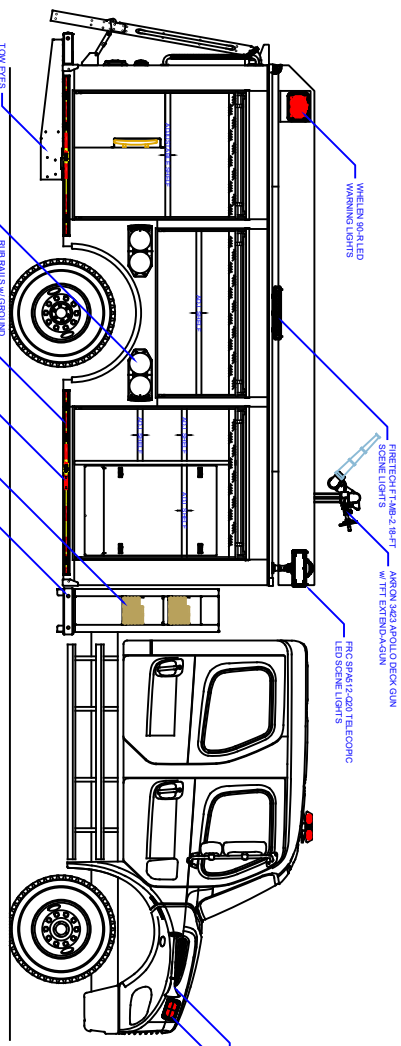


To view more photos and download spec sheet, please visit us at AlexisFire.com.

CUSTOMER APPROVAL SIGNATURE: _____ DATE: _____

VALMEYER-0003

IN THE EVENT THERE ARE DISCREPANCIES BETWEEN THE DRAWING AND THE SPECIFICATIONS, THE SPECIFICATIONS SHALL PREVAIL.



COMPARTMENT DIMENSIONS

COMP.#	DOOR OPENING SIZES
L1 & R1	67" WIDE X 62" HIGH X 127/8" DEEP
L2 & R2	67" WIDE X 50" HIGH X 28" DEEP
L3 & R3	46" WIDE X 62" HIGH X 28" DEEP
REAR	41" WIDE X 61" HIGH X 127/8" DEEP

UNLESS OTHERWISE SPECIFIED, DIMENSIONS ARE IN INCHES. DIMENSIONS ARE NOT TO SCALE. P.O. BOX 518, ALEXIS, ILLINOIS 61812

ALEXIS FINE EQUIPMENT CO.
VALMEYER FIRE PROT DIST
VALMEYER, IL
EQ-A95

REV.	DESCRIPTION	DATE	DRAWN	CHECKED	MATERIAL
01	400 ARROW STICK	11/20/19	MKT	PUMP GYM	1500

PUMP INFO:	CONTROL LOCATION:	APPLICATOR TYPE:
Pump Make: Sola Shift	Control Location: Side	Apparatus Type: Pumper
Pump Model: D400R	Control Location: Side	Character: Freightliner
Pump GPM: 1500	Control Location: Side	Tank Capacity: 1000
	Control Location: Side	