

1250-GALLON SIDE MOUNT PUMPER

BROWN TOWNSHIP TRUSTEES / SPRINGVILLE, IOWA



ALEXIS



THANK YOU TO THE BROWN TOWNSHIP TRUSTEES FOR THE PURCHASE OF THIS UNIT.



TECHNICAL SPECIFICATIONS

- International HV607 4-Door Chassis
- Cummins L9 350 HP Engine
- Allison 3000 EVS Automatic Transmission
- Heavy Duty Stainless-Steel Body and Sub-Frame
- Five (5) Person Cab Seating w/ Four (4) SCBA Seats
- ROM Painted Roll-Up Doors
- Hale DSD 1500 GPM Pump
- 1250-Gallon Poly Tank
- Heated Pump Enclosure
- Two (2) 6" Suctions, Right and Left Side
- Six (6) 2 1/2" Discharges, two (2) Left, two (2) Right, two (2) Rear
- Two (2) Gated Suctions, Left and Right Side
- Three (3) 1 1/2" Cartridge Lay Preconnects
- One (1) 2 1/2" Tank Fill, Rear
- Two (2) Triple Air Bottle Storage Compartments, Left Side
- Two (2) Dual Fire Extinguisher Storage Compartments, Right Side
- Ladder and Pike Pole Tube Storage, Right Rear Compartment
- Custom Oil Dry Hopper, Right Side
- Newton 10" Dump with 36" Extension and Drain Pan, Rear
- Progressive Dynamics Battery Charger w/ Viair Air Compressor
- Kussmaul Super Auto Eject Shoreline Connection
- Floor Mounted Console for Emergency Switches w/ Map/Binder Storage, Cab
- Firecom Wireless Intercom System
- PowerArc LED Warning Light Package
- Whelen Traffic Advisor Arrow Stick
- Code 3 Electronic Siren and 100-Watt Siren Speaker
- Federal Q2B Siren
- FireTech Scene Light Package
- Fol-Da-Tank/Suction Hose Storage Compartments, Rear
- Diamond Grade Chevron Striping, Rear
- 10' 5" Overall Height
- 33' 5" Overall Length
- 262" Wheelbase
- 151" Cab to Axle
- 14,000 FAWR
- 31,000 RAWR
- 45,000 GVWR

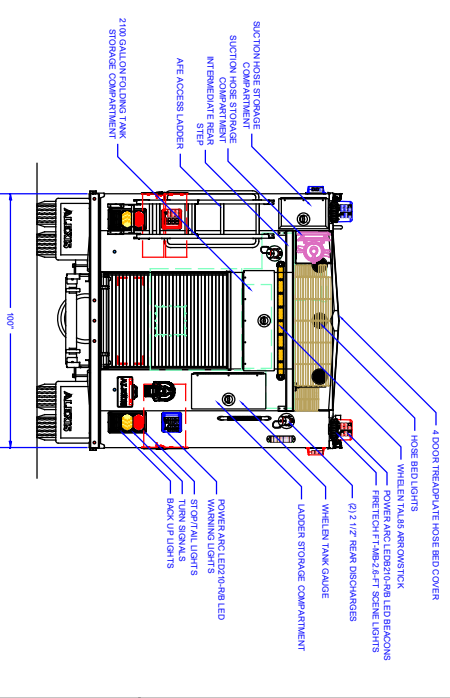
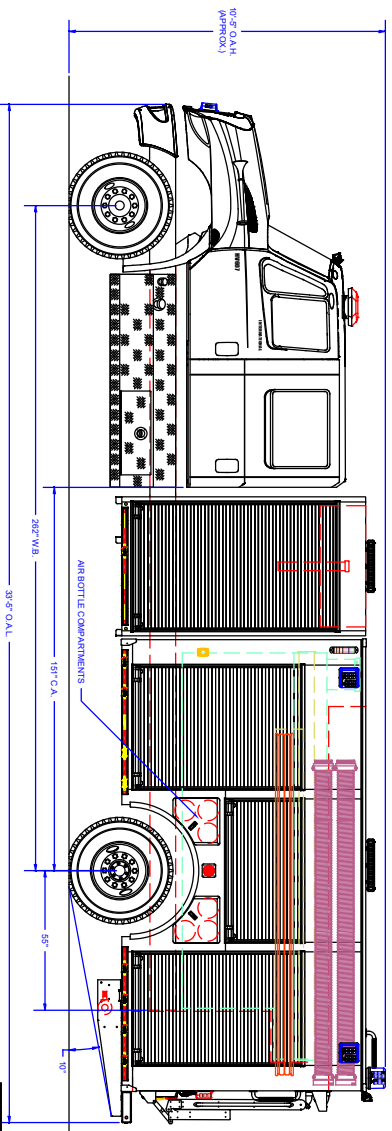
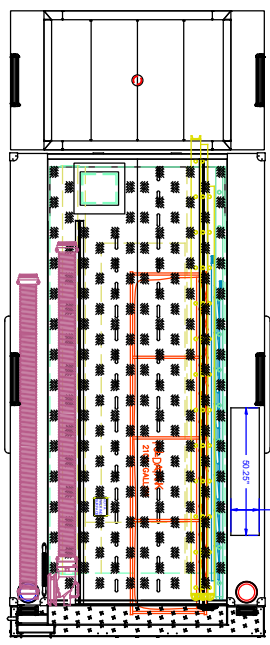
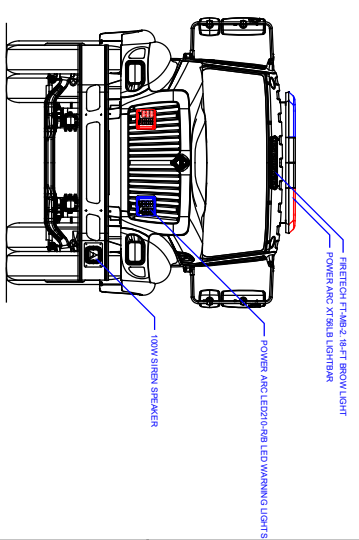
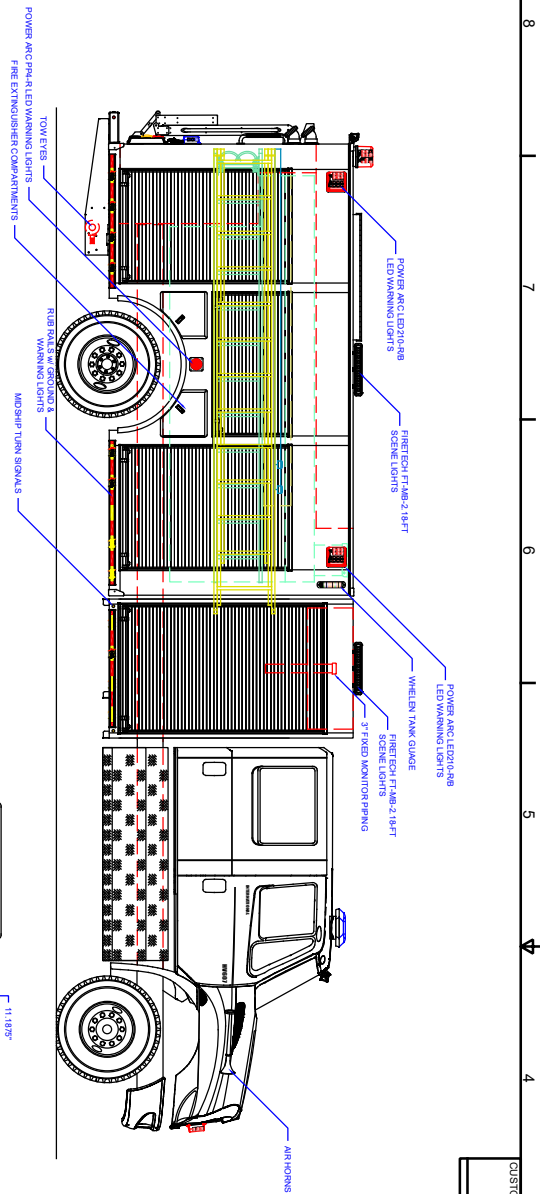


To view more photos and download spec sheet, please visit us at AlexisFire.com.

CUSTOMER APPROVAL SIGNATURE: _____ DATE: _____

BROWN-0006

IN THE EVENT THERE ARE DISCREPANCIES BETWEEN THE DRAWING AND THE SPECIFICATIONS THE SPECIFICATIONS SHALL PREVAIL.



COMPARTMENT DIMENSIONS

COMP #	DOOR OPENING SIZES
1-1	47" WIDE X 62" HIGH X 28" DEEP
2	54" WIDE X 25" HIGH X 28" DEEP
3	42" WIDE X 62" HIGH X 28" DEEP
R1	47" WIDE X 62" HIGH X 12'28" DEEP
R2	54" WIDE X 25" HIGH X 12'28" DEEP
R3	42" WIDE X 62" HIGH X 12'28" DEEP
REAR	38" WIDE X 45" HIGH X 28" DEEP

UNLESS OTHERWISE SPECIFIED, DIMENSIONS ARE IN MILLIMETERS (IN PARENTHESES). DIMENSIONS ARE NOT DIMENSIONAL.

DECIMAL ANGLES ARE IN DEGREES.

FRONT VIEW OF THE DRAWING IS THE FRONT VIEW.

THIS DRAWING IS THE PROPERTY OF ALEXIS FIRE EQUIPMENT CO. IT IS TO BE USED ONLY FOR THE PROJECT AND SITE SPECIFICALLY IDENTIFIED HEREIN. IT IS NOT TO BE REPRODUCED OR TRANSMITTED IN ANY FORM OR BY ANY MEANS, ELECTRONIC OR MECHANICAL, INCLUDING PHOTOCOPYING, RECORDING, OR BY ANY INFORMATION STORAGE AND RETRIEVAL SYSTEM.

REVISION HISTORY

REV	DESCRIPTION	DATE	BY	APP. BY	DESCRIPTION
01	SALES UPDATES	7/22/19	WLT		Pump Model: CXXC20
02	SALES UPDATES	7/22/19	WLT		Pump GPM: 1500
03	SALES UPDATES	7/22/19	WLT		Material: Stainless Steel
04	SALES UPDATES	8/21/19	JML		Apparatus Type: Pumper
05	SALES UPDATES	8/21/19	JML		Chassis: Navistar 4-Door
06	SALES UPDATES	8/21/19	JML		Tank Capacity: 1250
07	SALES UPDATES	8/21/19	JML		Material: Stainless Steel

ALEXIS FIRE EQUIPMENT CO.
P.O. BOX 649, ALEXIS, ILLINOIS 62412

BROWN TOWNSHIP TRUSTEES
SPRINGVILLE, IA

SIZE SCALE: DRAWING: 1/2" = 1'
CONTRACT #: 2410

SHEET 1 OF 2