

# 1800-GALLON WETSIDE TANKER

BURDETT FIRE DEPARTMENT / 1800-GALLON WETSIDE TANKER



# ALEXIS



THANK YOU TO THE BURDETT FIRE DEPARTMENT FOR THE PURCHASE OF THIS UNIT.



## TECHNICAL SPECIFICATIONS

- Freightliner 114SD 2-Door Chassis with 24" Bumper Extension
- Detroit DD13 12.8L, 505-HP Engine
- Allison 4000 EVS Automatic Transmission
- Heavy Duty Stainless Steel Body and Sub-Frame
- ROM Roll Up Doors
- On Spot Automatic Tire Chains
- 1800-Gallon Wetside Poly Tank
- Three (3) 10" Square Newton Swivel Dumps w/ 36" Extension, One (1) Each Side, Rear
- Hale DSD150, 1500 GPM Pump
- Left Side Intermediate Pump Operator's Control Panel
- Two (2) 2½" Discharges, One (1) Each Side
- Two (2) 3" Discharge, One (1) Right Side and One (1) Rear
- One (1) 2½" Gated Suction, One (1) Each Side
- One (1) 5" Suction, Front Bumper
- Two (2) 1½" and One (1) 2½" Mattydale Preconnects, Behind Cab
- One (1) 1½" Preconnect, Front Bumper
- Two (2) 2½" Tank Fill Connections, rear
- Two (2) Recessed Hose Wells, One (1) Each Side of Front Bumper
- Hinged Folding Tank Bracket for 2100-Gallon Tank, Left Side
- Two (2) Dual Air Bottle Storage Compartments, One (1) Each Side
- Suction Storage, Folding Tank Rack
- Ladder Storage, Through the Tank
- Progressive Dynamics On-Board Battery Charger with Viair Air Compressor
- Audiovox Back-Up Camera System w/ 7" Color Monitor
- Code 3 Siren with 100-Watt Speaker
- Two (2) Air Horns, One (1) Each Side of Hood
- Two (2) Akron Brass Extenda-Lite Telescoping Scene Lights, One (1) Each Side
- Code 3 Warning and Scene Light Packages
- Diamond Grade Chevron Striping, rear
- 9' 9" Overall height
- 30' 11" Overall length
- 207" Wheelbase
- 141.4" Cab to Axle
- 16,000 FAWR
- 30,000 RAWR
- 46,000 GVWR

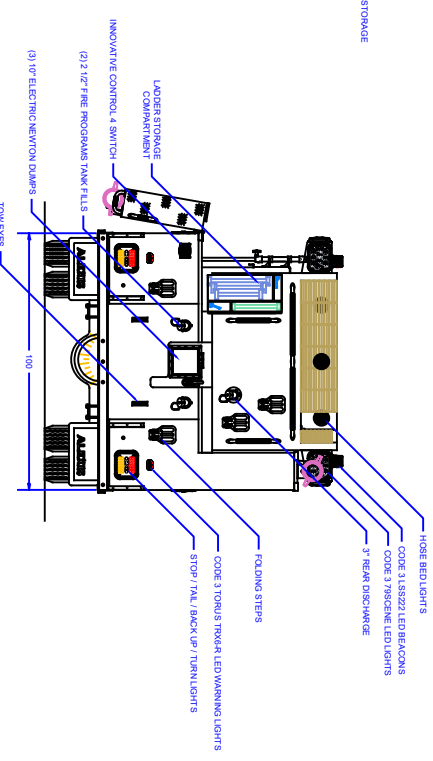
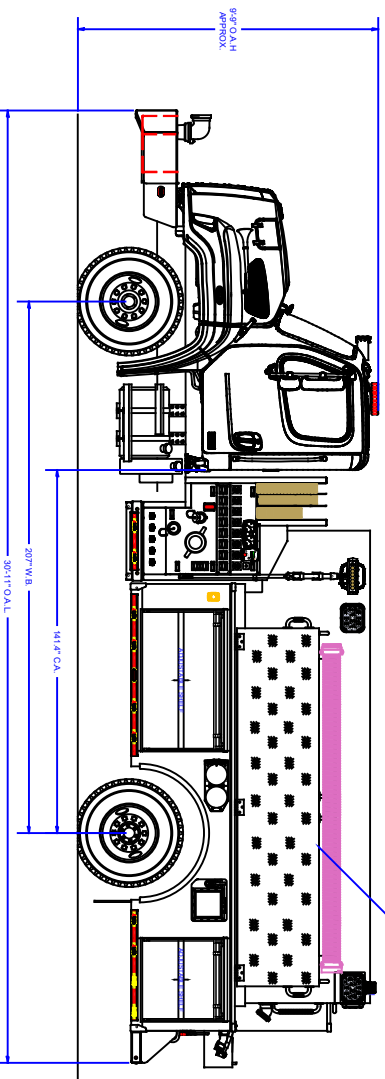
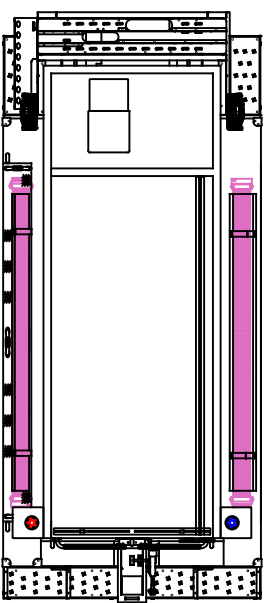
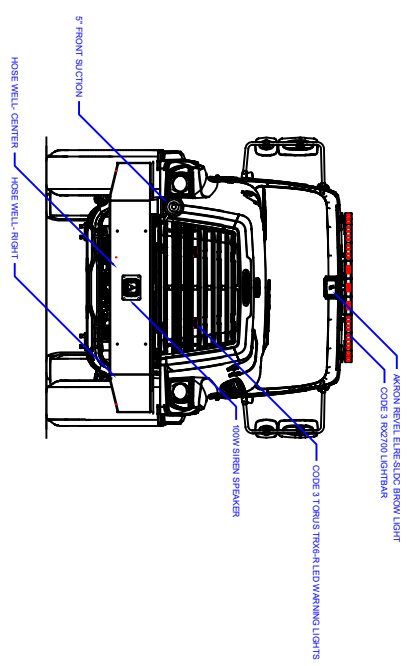
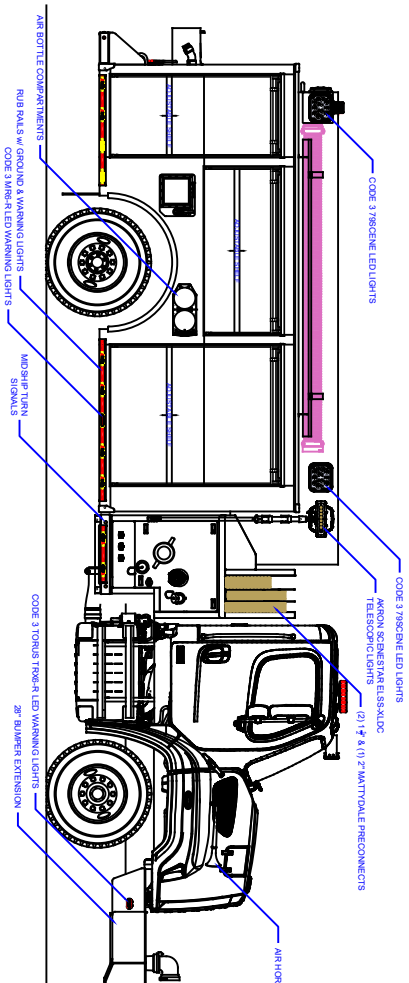


To view more photos and download spec sheet, please visit us at [AlexisFire.com](http://AlexisFire.com).

CUSTOMER APPROVAL SIGNATURE: \_\_\_\_\_ DATE: \_\_\_\_\_

**BURDETT-0004**

IN THE EVENT THERE ARE DISCREPANCIES BETWEEN THE DRAWING AND THE SPECIFICATIONS, THE SPECIFICATIONS SHALL PREVAIL.



**COMPARTMENT DIMENSIONS**

REV	DESCRIPTION	DATE	BY
01	DESIGN CHECK	02/01/20	AKS
02	SALES REPORTS	02/04/20	AKS
03	SALES REPORTS	02/04/20	AKS
04	SALES REPORTS	02/04/20	AKS
05	SALES REPORTS	02/04/20	AKS

REV	DESCRIPTION	DATE	BY
06	CONTROL LOCATION SHEET	02/04/20	AKS
07	PUMP DRIVE - SHIP SHEET	02/04/20	AKS
08	CHASSIS - FEEDTHRU - 2-DOOR	02/04/20	AKS
09	TANK CAPACITY - 1000	02/04/20	AKS
10	PUMP MODEL - DSD	02/04/20	AKS
11	PUMP GPM - 1500	02/04/20	AKS

COMP #	DOOR OPENING SIZES
L1	53" WIDE X 22 1/2" HIGH X 28" DEEP
L2	30" WIDE X 22 1/2" HIGH X 28" DEEP
R1	53" WIDE X 92" HIGH X 122 1/2" DEEP
R2	53" WIDE X 28" HIGH X 12 1/2" DEEP
R3	30" WIDE X 92" HIGH X 122 1/2" DEEP

UNLESS OTHERWISE SPECIFIED, DIMENSIONS ARE IN INCHES. TOLERANCES ARE NOT GOVERNATIVE	
FRONT	1/16" MINIMUM
OTHER	1/32" MINIMUM

**ALEXIS FIRE EQUIPMENT CO.**  
 P.O. BOX 518, ALEXIS, ILLINOIS 61412

**TANKER**  
**BURDETT FIRE DEPT**  
 BURDETT, NY

SIZE: 12' x 1'  
 SCALE: 1/4" = 1'  
 CONTRACT # 2391  
 SHEET 1 OF 2