

# 10-FOOT RESPONSE ONE

OGLE LEE FIRE PROTECTION DISTRICT / ROCHELLE, ILLINOIS



# ALEXIS

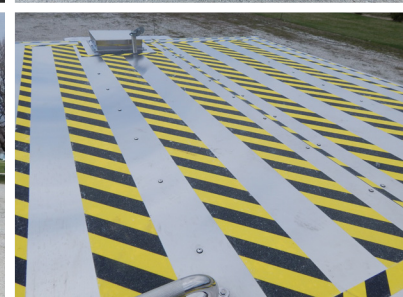


THANK YOU TO THE OGLE LEE FIRE PROTECTION DISTRICT FOR THE PURCHASE OF THIS UNIT.



## TECHNICAL SPECIFICATIONS

- Ford F-550XL 4-Door Chassis
- Ford 6.7L, PowerStroke 330-HP Diesel Engine
- Ford TorqShift 6-speed Automatic Transmission
- Stainless steel Body and Sub-Frame
- ROM Roll Up Doors
- One (1) Reese type rear hitch with 12-volt winch connections
- High Pressure skid unit with reel and 100-Gallon tank
- Duradeck on shelves and/or trays of compartments
- Four (4) walk-away air pack brackets, right side
- Audiovox Back-up Camera system with 7" color monitor
- Floor mounted console for Emergency switches, cab
- Whelen Electronic Siren with 100-watt speaker
- Two (2) Akron 12-volt LED Telescopic Scene lights, one (1) each side
- Whelen LED Warning Light and Scene Light Package
- Diamond Grade Chevron pattern striping, rear
- 8' 2" Overall height
- 23' 6" Overall length
- 179.8" Wheelbase
- 60" Cab to Axle
- 7,500 FAWR
- 14,706 RAWR
- 19,500 GVWR

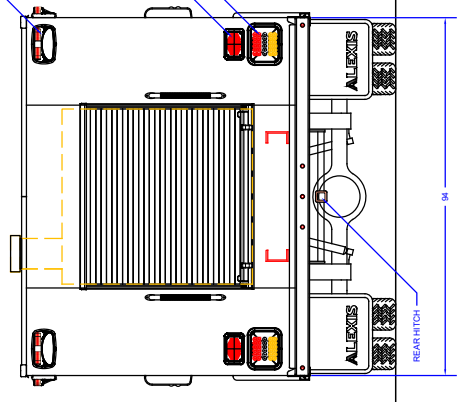
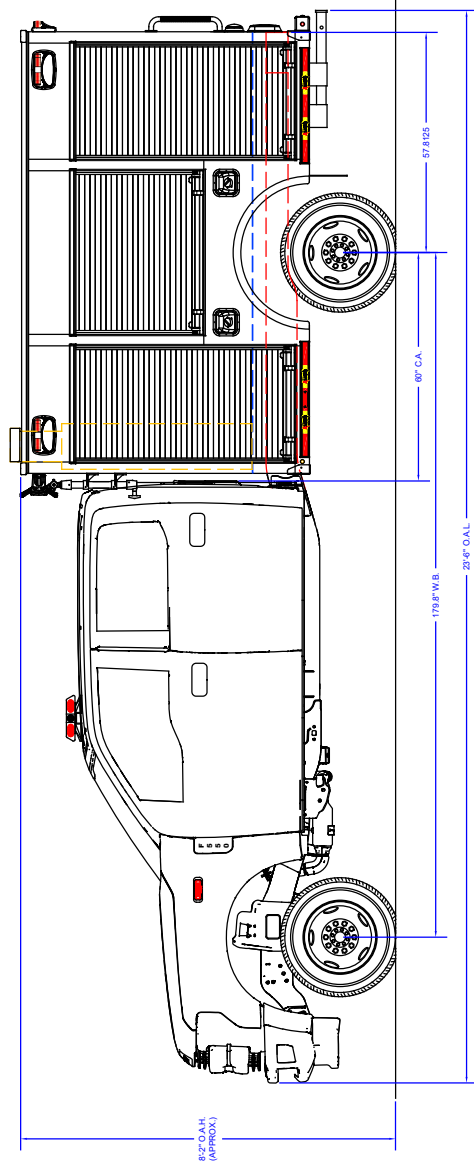
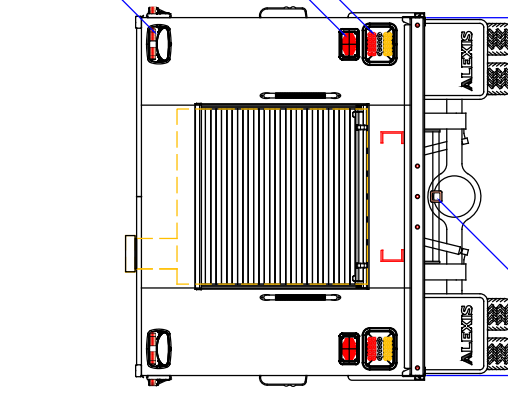
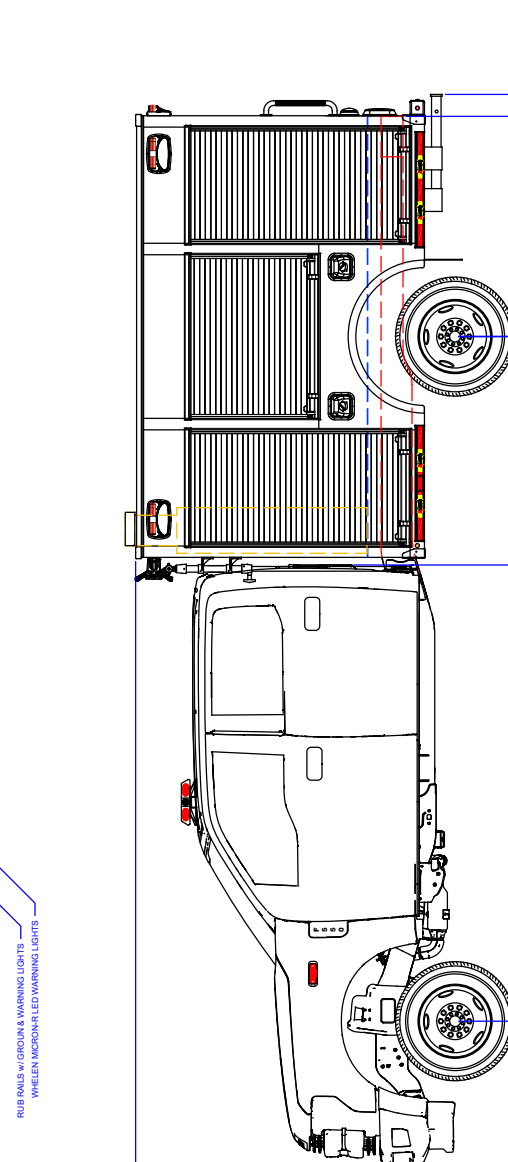
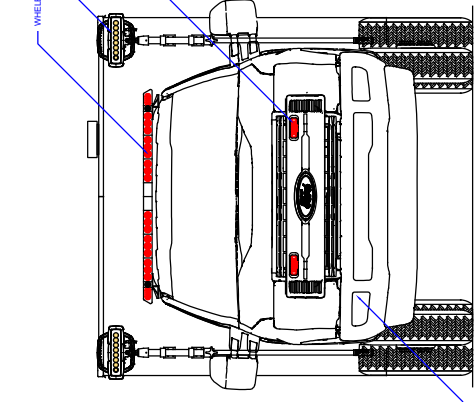
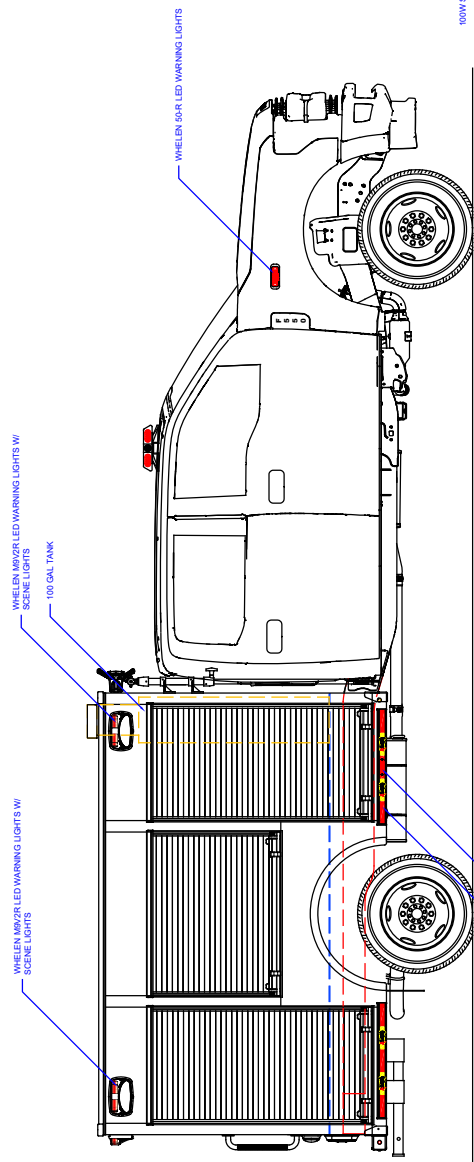


To view more photos and download spec sheet, please visit us at [AlexisFire.com](http://AlexisFire.com).

1 2 3 4 5 6 7 8

DATE: \_\_\_\_\_ CUSTOMER APPROVAL SIGNATURE: \_\_\_\_\_

OGLELEE-0001  
 IN THE EVENT THERE ARE DISCREPANCIES BETWEEN THE DRAWING AND THE SPECIFICATIONS, THE SPECIFICATIONS SHALL PREVAIL.



COMPARTMENT DIMENSIONS	
COMP #	DOOR OPENING SIZES
L1 & R1	28" WIDE X 57" HIGH X TRANSVERSE
L2 & R2	41" WIDE X 59" HIGH X 21" DEEP
L3 & R3	28" WIDE X 53" HIGH X 21" DEEP
REAR	48" WIDE X 59" HIGH X 80" DEEP

Pump Info:	Apparatus Type: Response 1 1/2 (60' C.A.)
Control Location: None	Chassis: Ford 4-Door
Pump Drive:	Tank Capacity:
Pump Make:	Material: Stainless Steel
Pump Model:	
Pump GPM:	

REV	DATE	DESCRIPTION
01	2/13/19	CHANGE ORDER A
02		REVISION HISTORY

UNLESS OTHERWISE SPECIFIED TOLERANCES ARE NOT CUMULATIVE	
FRACTIONAL: ±0.015	ANGULAR: ±0.5°
METRIC: ±0.10mm	

This copyright of this drawing and design, and the right of reproduction here in whole or in part, is reserved by the owner of the drawing.

OWNER: FIRE EQUIPMENT CO.  
 P.O. BOX 549 ALEXIS, ILLINOIS 61412

PROJECT: RESPONSE ONE  
 OGLE-LEE FIRE PROT DIST  
 ROCHELLE, IL

SIZE: 11x17  
 DATE: 1/18/19  
 DRAWN BY: M. TINKHAM  
 CHECKED BY: M. TINKHAM  
 MATERIAL: 5789  
 CONTRACT #:  
 R1-D19  
 SHEET 1 OF 2