

HAWK TANKER

ASTORIA FIRE PROTECTION DISTRICT / ASTORIA, ILLINOIS



ALEXIS

THANK YOU TO THE ASTORIA FIRE PROTECTION DISTRICT FOR THE PURCHASE OF THIS UNIT.

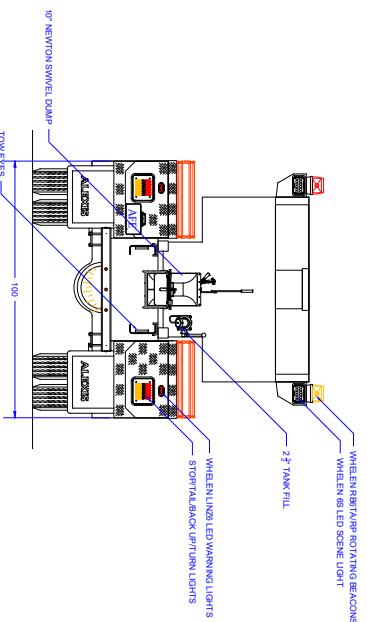
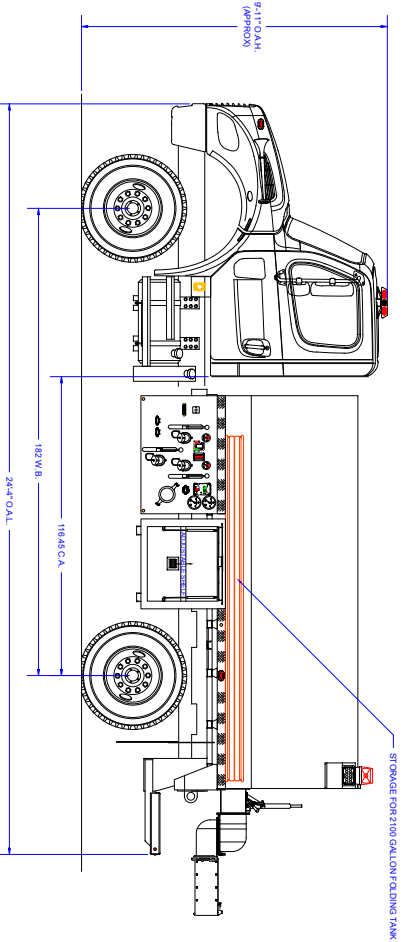
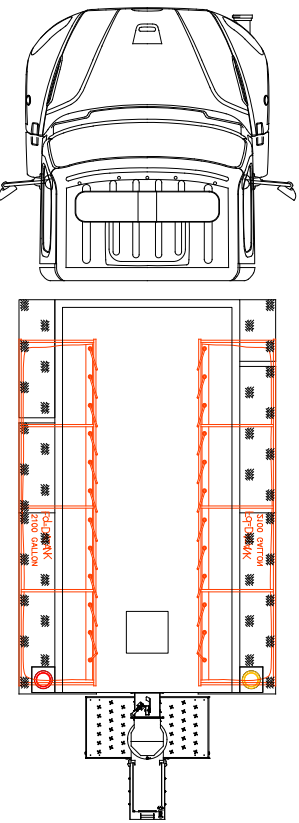
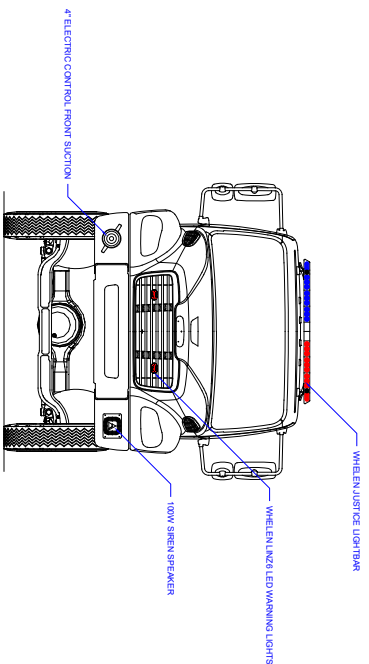
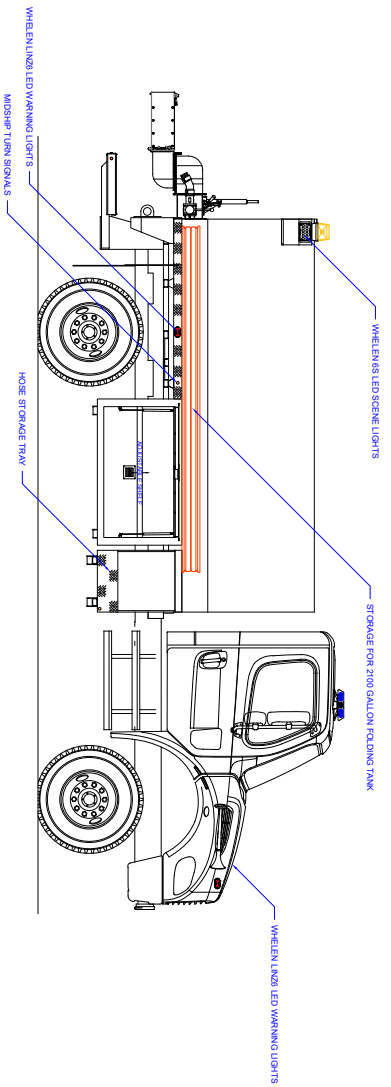


TECHNICAL SPECIFICATIONS

- Freightliner M2 106 2-Door Chassis
- Cummins L9 350-HP Diesel Engine
- Allison 3000 EVS Automatic Transmission
- Heavy Duty 3/16" Aluminum Body
- Hemmed Pan Doors, One (1) on Each Side
- 1500-Gallon Poly Tank
- One (1) Newton 10" Square Manual Swivel Dump with 36" Extension, Rear
- Darley HM, 500-GPM PTO Pump
- Left Side Intermediate Pump Operator's Panel
- Two (2) 2½" Discharges, Left Side
- One (1) 2½" Gated Suction
- One (1) 4" Suction, Front Bumper
- Folding Tank Storage, Right and Left Side Compartment Tops
- Suction Hose Storage, Hose Bed
- Progressive Dynamics On-Board Battery Charger with Viair Air Compressor
- Whelen Electronic Siren with One (1) Cast Products Speaker
- Whelen LED Warning Light Package
- Whelen LED Scene Lights, Rear
- Chevron Pattern Striping, Rear
- 9' 11" Overall height
- 24' 4" Overall length
- 182" Wheelbase
- 116.45" Cab to Axle
- 16,000 FAWR
- 27,000 RAWR
- 43,000 GVWR



To view more photos and download spec sheet, please visit us at AlexisFire.com.



REV	DESCRIPTION	DATE	DRAWN
02	SALES PROPOSAL CHANGES	10/27/16	MAB
01	SALES UPDATE	10/29/16	MAB

CUSTOMER APPROVAL SIGNATURE:

DATE:

ASTORIA-0003

IN THE EVENT THERE ARE DISCREPANCIES BETWEEN THE DRAWING AND THE SPECIFICATIONS THE SPECIFICATIONS SHALL PREVAIL.

Pump Info:	Control Location: Under Tank
Pump Drive: PTO	Apparatus Type: Tanker
Pump Make: Darby	Chassis: Freightliner 2-Door
Pump Model: HM	Tank Capacity: 1500
Pump GPM: 500	Material: Aluminum

UNLESS OTHERWISE SPECIFIED DIMENSIONS ARE IN INCHES (DIMENSIONS ARE NOT DIMENSIONAL)
FRS: 1000, 1500, 2000, 2500, 3000, 3500, 4000, 4500, 5000, 5500, 6000, 6500, 7000, 7500, 8000, 8500, 9000, 9500, 10000
FRS: 1000, 1500, 2000, 2500, 3000, 3500, 4000, 4500, 5000, 5500, 6000, 6500, 7000, 7500, 8000, 8500, 9000, 9500, 10000

ALEXIS FIRE EQUIPMENT CO.
 P.O. BOX 549, ALEXIS, ILLINOIS 61412
HAWK TANKER
 ASTORIA FIRE PRO DIST
 ASTORIA, IL
 HT-A43