

2000-GALLON TANKER

BRANDYWINE TOWNSHIP HANCOCK COUNTY FOUNTAINTOWN
COMMUNITY VOL. FIRE DEPARTMENT / FOUNTAINTOWN, IN



ALEXIS

THANK YOU TO THE BRANDYWINE TOWNSHIP
HANCOCK COUNTY FOUNTAINTOWN
COMMUNITY VOL. FIRE DEPARTMENT
FOR THE PURCHASE OF THIS UNIT.



TECHNICAL SPECIFICATIONS

- International HV607 2-Door Chassis
- Cummins L9, 350-HP Diesel Engine
- Allison 3000 EVS Automatic Transmission
- Heavy Duty Stainless Steel Body and Sub-Frame
- ROM Roll Up Doors
- 2000-Gallon Poly Tank
- Two (2) 2 1/2" FirePrograms Tank fills, rear
- Three (3) 10" Round EJ Metals Air operated dumps with 22" extensions and Automatic retraction system
- Waterous CLVK, 500-GPM Pump
- Left side under tank pump operator's panel
- Two (2) 2 1/2" Discharges, left side
- Two (2) 1 1/2" LA Style Cartridge Lay Preconnects, one (1) each side
- Folding Tank storage, right side compartment top
- Suction hose storage, left side compartment top
- One (1) Vertical Pull out board with four (4) air pack brackets, right side
- One (1) Dual Pac Trac Tool board, left side
- Progressive Dynamics on-board battery charger with Viair air compressor
- Kussmaul Super Auto Eject 120-volt shoreline connection
- Floor mounted console for Emergency switches, cab
- One (1) Audiovox back up Camera system with 7" color monitor
- Federal Q2B Siren, front bumper
- Code 3 Electronic Siren with 100-watt Code-3 speaker
- Code 3 LED Warning Light and Scene Light Packages
- Diamond Grade Chevron pattern striping, rear
- 9' 11" Overall height
- 22' 11" Overall length
- 179" Wheelbase
- 111.9" Cab to Axle
- 16,000 FAWR
- 30,000 FAWR
- 46,000 GVWR

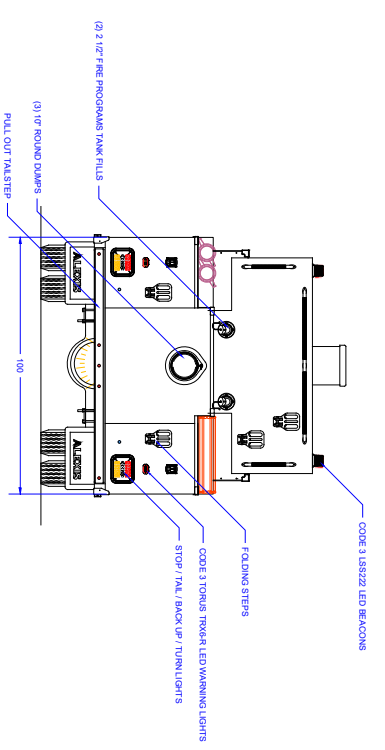
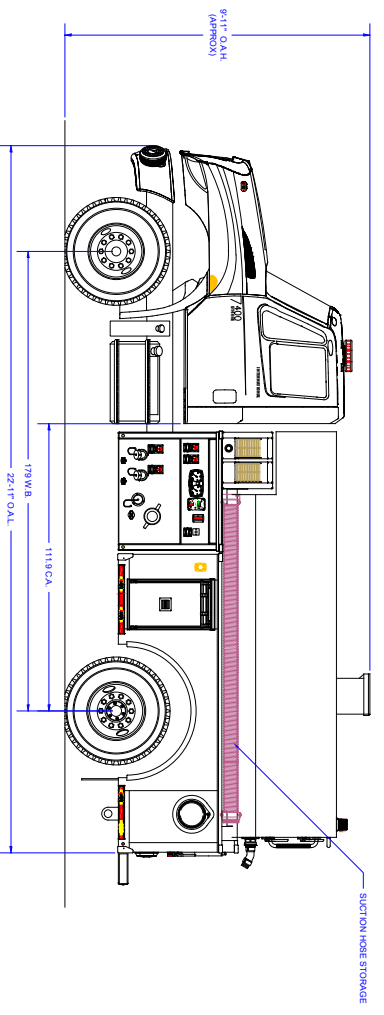
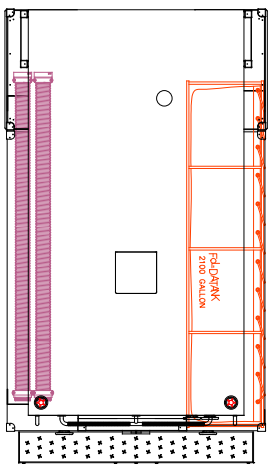
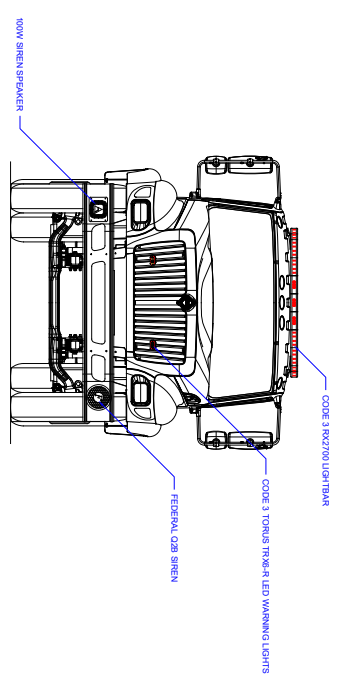
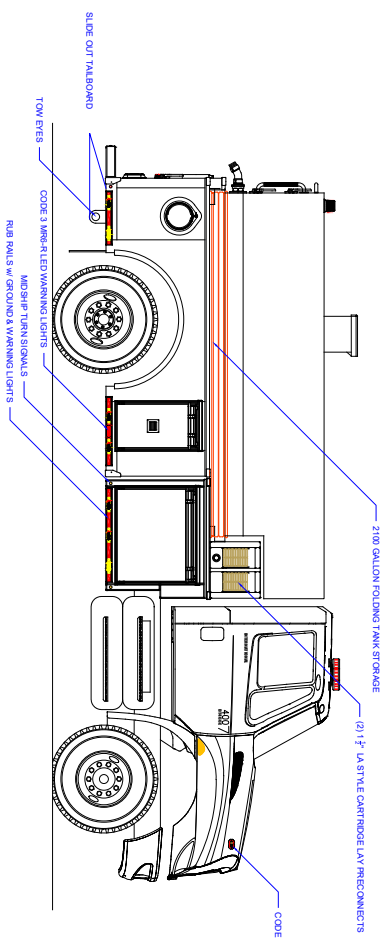


To view more photos and download spec sheet, please visit us at AlexisFire.com.

CUSTOMER APPROVAL SIGNATURE: _____ DATE: _____

IN THE EVENT THERE ARE DISCREPANCIES BETWEEN THE DRAWING AND THE SPECIFICATIONS, THE SPECIFICATIONS SHALL PREVAIL.

FOUNTAINTOWN-0001



COMPARTMENT DIMENSIONS

REV	DESCRIPTION	DATE	OWN	APP	BY
01	3/24/21 SPARES UPDATES	4/13/21	WAT		

Control Location	Under Tank
Pump Info:	Apparatus Type: Tanker
Pump Drive: ETC	Chassis: Navistar 2-Door
Pump Model: Valorous	Tank Capacity: 2000
Pump GPM: 500	

COMP #	DOOR OPENING SIZES
L1 & R1	17" WIDE X 27" HIGH X 28" DEEP
PAL	35" WIDE X 28" HIGH X 25" DEEP

UNLESS OTHERWISE SPECIFIED, DIMENSIONS ARE IN INCHES. DIMENSIONS ARE NOT DIMENSIONAL.

ALEXIS FIRE EQUIPMENT CO.
 P.O. BOX 569, ALEXIS, ILLINOIS 61412

The copyright of this drawing and design is reserved by Alexis Fire Equipment Co. and drawings to Alexis Fire Equipment Co.

FOUNTAINTOWN COMM FIRE DEPT
 FOUNTAINTOWN, IN

SIZE SCALE: D 1/2" = 1'

CONTRACT #: 2379

SHEET 1 OF 2