

# 3000-GALLON PUMPER/TANKER

WEST POINT ST. PAUL COMMUNITY FIRE ASSOCIATION  
WEST POINT, IOWA



# ALEXIS



THANK YOU TO THE WEST POINT ST. PAUL COMMUNITY FIRE ASSOCIATION FOR THE PURCHASE OF THIS UNIT.



## TECHNICAL SPECIFICATIONS

- Freightliner M2 106 2-Door Tandem Chassis
- Detroit DD8, 7.7L 375-HP Diesel Engine
- Allison 3000 EVS Automatic Transmission
- Heavy Duty Stainless Steel Body and Sub-Frame
- ROM Roll Up Doors
- 3000-Gallon Wet side Poly Tank
- One (1) 10" Square Newton manual swivel Dump with 36" extension
- One (1) 2 1/2" and one (1) 4" FirePrograms Tank Fills, rear
- Darley PSM 1500-GPM Pump
- Side Control Intermediate pump operator's panel
- Four (4) 2 1/2" Discharges, two (2) left, one (1) right side and one (1) rear
- One (1) 3" Discharge, right side
- One (1) 1 1/2" and one (1) 2 1/2" Mattydale Preconnect,, behind cab
- Folding Tank Storage, right side compartment top
- Suction Hose Storage, left side compartment top
- Ladder Storage brackets, left side
- Two (2) Pike pole tubes, right side compartment top
- Progressive Dynamics on-board battery charger
- Kussmaul Super Auto Eject 120-volt shoreline connection
- Floor mounted console for emergency switches with map/binder storage, cab
- Code-3 Electronic Siren with 100-watt Code-3 speaker
- Whelen LED Scene Light Package
- Whelen LED Warning Light Package
- Diamond Grade Chevron pattern striping, rear
- 10' 6" Overall height
- 31' 6" Overall length
- 236" Wheelbase
- 170.45" Cab to Axle
- 16,000 FAWR
- 40,000 RAWR
- 46,000 GVWR

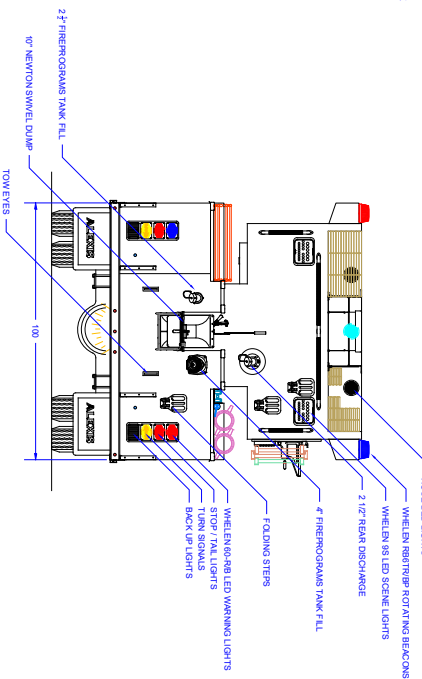
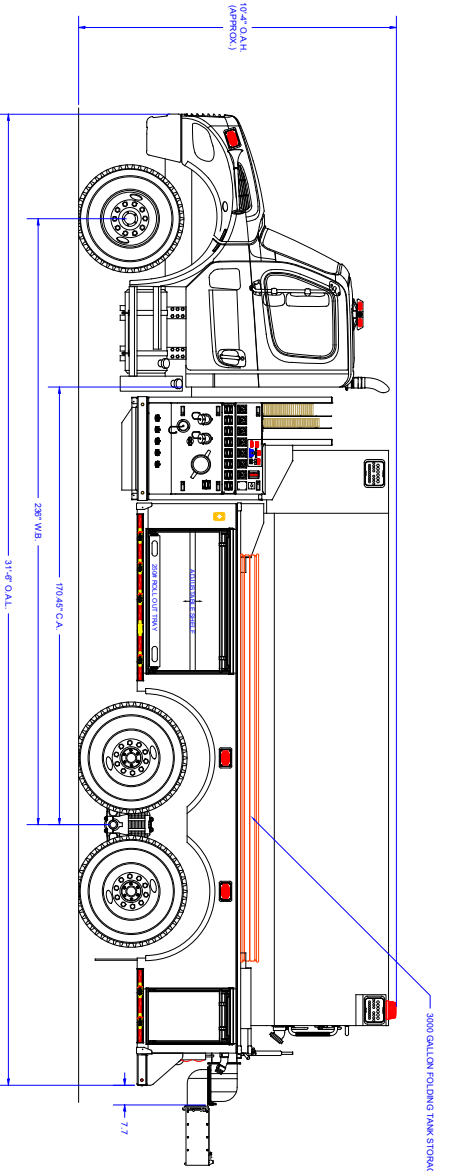
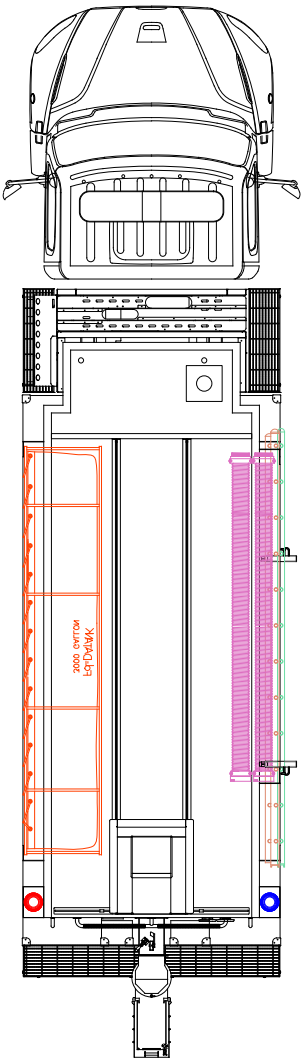
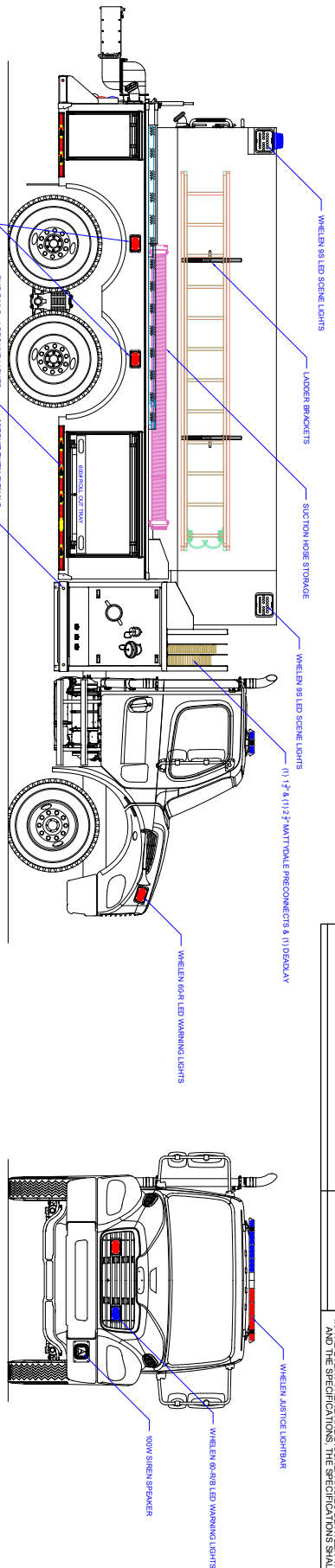


To view more photos and download spec sheet, please visit us at [AlexisFire.com](http://AlexisFire.com).

CUSTOMER APPROVAL SIGNATURE: \_\_\_\_\_ DATE: \_\_\_\_\_

WEST POINT-2363

IN THE EVENT THERE ARE DISCREPANCIES BETWEEN THE DRAWING AND THE SPECIFICATIONS, THE SPECIFICATIONS SHALL PREVAIL.



**Pump Info:**

Control Location:	Under Tank
Pump Drive:	PTO
Pump Make:	Daifly
Pump Model:	P5M
Material:	Stainless Steel

**COMPARTMENT DIMENSIONS**

COMP #	DOOR OPENING SIZES
L1 & R1	54\"/>
L2 & R2	19\"/>

REVISION HISTORY	DATE	BY	DESCRIPTION
CHANGE ORDER 'X'	04/18/23	MAB	1500

**ALEXIS FIRE EQUIPMENT CO.**  
 P.O. BOX 549, ALEXIS, ILLINOIS 61412

**WEST POINT FIRE DEPT**  
 WEST POINT, IA  
 T-177A

UNLESS OTHERWISE SPECIFIED, DIMENSIONS ARE IN INCHES. FOLLOW ALL ASSESSMENT AND CONFORMANCE STANDARDS AND CODES.
FRACATIONAL: 1/16 INCHES ± 0.001
DECIMALS: 0.001 INCHES ± 0.001
THESE DIMENSIONS ARE APPROXIMATE AND SUBJECT TO CHANGE WITHOUT NOTICE.
DATE: 3/26/18
DRAWN BY: M.TINKHAM
CHECKED BY: J.DUNN
CONTRACT #: 2363
SHEET: 1 OF 2