

TWO (2) CUSTOM EQUALIZER PUMPER

LOS ALAMOS NATIONAL SECURITY / LOS ALAMOS, NEW MEXICO



ALEXIS



THANK YOU TO LOS ALAMOS NATIONAL SECURITY FOR THE PURCHASE OF THESE UNITS.



TECHNICAL SPECIFICATIONS

- HME Spectre MFDxL 12" raised roof Chassis
- Cummins ISX12, 500-HP Diesel Engine
- Allison 4000 EVS Automatic Transmission
- Stainless steel Body with Stainless steel Sub-Frame
- ROM painted Roll Up Doors
- On Spot Automatic Tire Chains
- Six (6) person cab seating with five (5) SCBA seats
- 24" Front bumper extension with 1 1/2" Preconnect and center hosewell
- 700-Gallon Poly Tank with 30-Gallon Foam Tank
- Waterous CSU 1500-GPM Pump with left side pump operator's controls
- Two (2) 2 1/2" Discharges, one (1) each side
- Three (3) 3" Discharges, one (1) right side, one (1) rear and one over pump
- One (1) Deckmaster Electric monitor, riser and Akromatic Electric stream nozzle
- One (1) 2 1/2" Gated Suction, left side
- Foam Pro 2002 Foam System with Waterous FoamFill refill system
- One (1) 2 1/2" and two (2) 1 1/2" Cartridge Lay Preconnects, front of pump module
- Ladder storage through the tank with rear access
- Three (3) Dual bottle Air bottle compartments, one (1) left and two (2) right side
- Stainless steel top access ladder, rear mounted
- Duradeck tile on floors and/or shelves and trays of compartments
- One (1) Swing out pegboard tool board, right side compartment
- David Clark Intercom System
- Progressive Dynamics on-board battery charger
- One (1) Audiovox Back-up Camera system with 7" color monitor
- Whelen Electronic Siren with 100-watt Cast Products speaker
- Federal Q2B pedestal mount siren, front bumper
- SmartPower HR-6, 5500 watt Hydraulic Generator with 120-volt system
- One (1) Akron Cord reel with 150-ft of 10/3 cord, rear compartment
- FireTech LED and Akron Scene Light Packages
- Whelen LED Warning Light Package
- Chevron pattern striping, rear
- 128" Cab to Axle
- 10' 3" Overall height
- 31' 9" Overall length
- 18740 FAWR
- 24,000 RAWR
- 42,740 GVWR

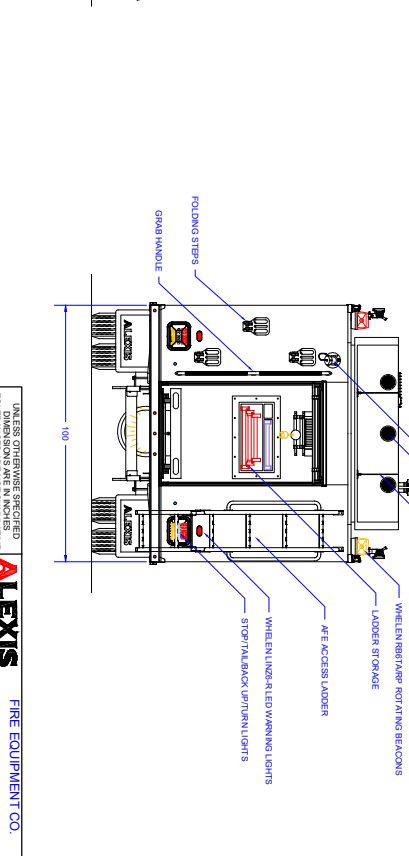
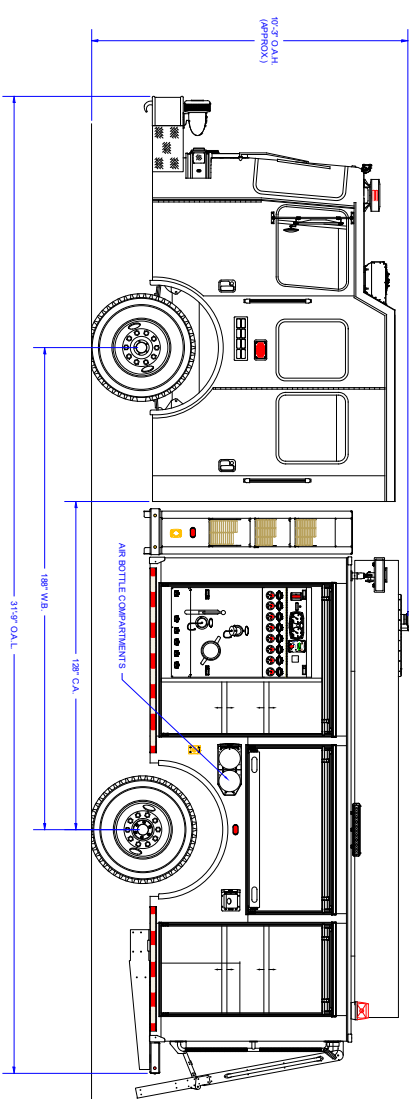
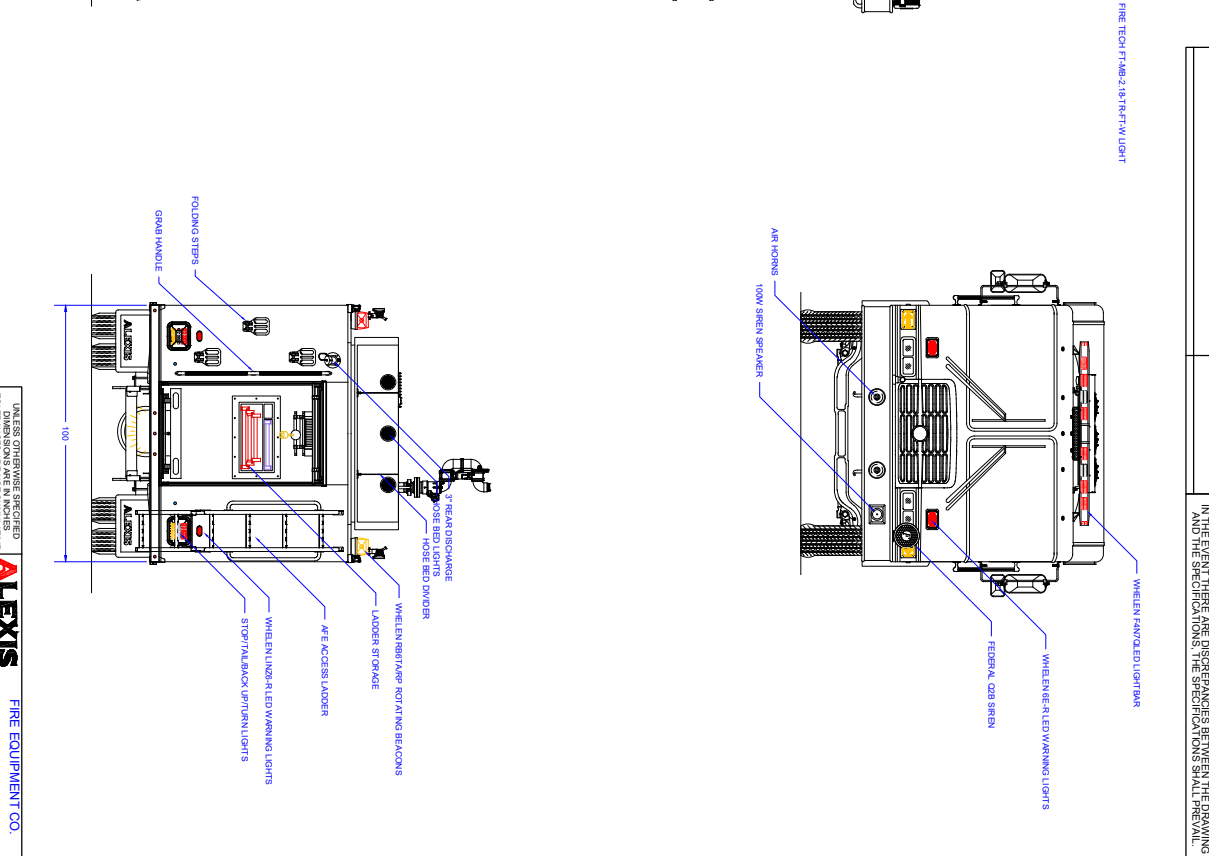
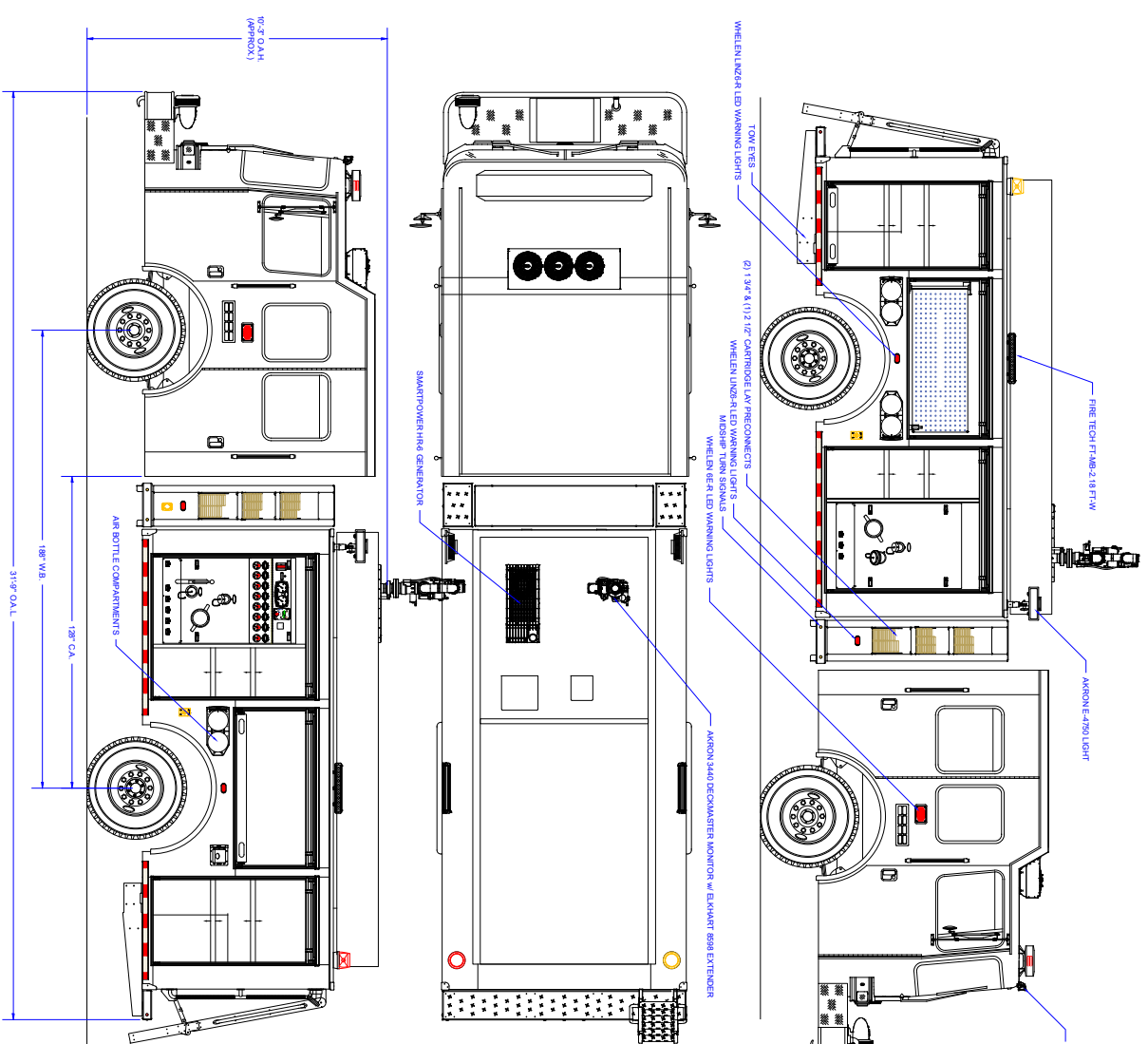


To view more photos and download spec sheet, please visit us at AlexisFire.com.

CUSTOMER APPROVAL SIGNATURE _____ DATE _____

IN THE EVENT THERE ARE DISCREPANCIES BETWEEN THE DRAWING AND THE SPECIFICATIONS THE SPECIFICATIONS SHALL PREVAIL.

LANS-0001



COMPARTMENT DIMENSIONS

COMP #	DOOR OPENING SIZES				
L1 & R1	57\"/>				
L2 & R2	63\"/> <tr> <td>L3 & R3</td> <td>34\"/> <tr> <td>REAR</td> <td>38\"/> </td></tr> </td></tr>	L3 & R3	34\"/> <tr> <td>REAR</td> <td>38\"/> </td></tr>	REAR	38\"/>
L3 & R3	34\"/> <tr> <td>REAR</td> <td>38\"/> </td></tr>	REAR	38\"/>		
REAR	38\"/>				

UNLESS OTHERWISE SPECIFIED, DIMENSIONS ARE IN INCHES. FRACTIONAL $\frac{1}{16}$ INCHES AND SMALLER SHALL BE $\frac{1}{16}$ INCHES. METRIC ± 1.5 MM.

ALEXIS FIRE EQUIPMENT CO.
 P.O. BOX 549, ALEXIS, ILLINOIS 61412

EQUALIZER
 LOS ALAMOS NATIONAL SECURITY
 LOS ALAMOS, NM

DATE: 12/4/17

SIZE: SCALE: D 1/2\"/>

CONTRACT #: 2342-2343 SHEET: 1 OF 2

REV	DESCRIPTION	DATE	BY	APP	REVISION HISTORY
01	CHANGE ORDER N/A	01/18/18	LJC		
02	SALES UPDATES	07/01/17	MJT		

Pump Info:

Control Location:	Side
Pump Drive:	Split Shaft
Pump Make:	Waterous
Pump Model:	CSJ Series
Pump GPM:	1500

Apparatus Type: Pumper

Chassis:	AME 60-BOC
Tank Capacity:	700
Material:	Stainless Steel