

# 10-FOOT RESPONSE ONE

ORWELL FIRST RESPONSE RESCUE SQUAD INC. / ORWELL, VERMONT



# ALEXIS



THANK YOU TO ORWELL FIRST RESPONSE RESCUE SQUAD INC. FOR THE PURCHASE OF THIS UNIT.



## TECHNICAL SPECIFICATIONS

- Ford F-450XL 4x4 DRW Four (4) Door Chassis
- Ford 6.8L, V10, Gasoline Engine
- Ford TorqShift 6-speed Automatic Transmission
- Heavy Duty Stainless steel Body
- ROM painted Roll Up Doors
- Warn Stainless steel brush guard with wrap around and front receiver
- Luerne stainless steel Nerf bars
- Floor mounted console for emergency switches, cab
- Optimo back-up camera system with GPS
- Progressive Dynamics on-board battery charger
- Kussmaul Super Auto Eject 120-volt shoreline connection
- Whelen Electronic Siren with 100-watt Whelen speaker
- Whelen LED Scene Light Package
- Whelen LED Warning Light Package
- 8' 3" Overall height
- 23' 4" Overall length
- 179.8" Wheelbase
- 60" Cab to Axle
- 7,500 FAWR
- 14,600 RAWR
- 19,500 GVWR



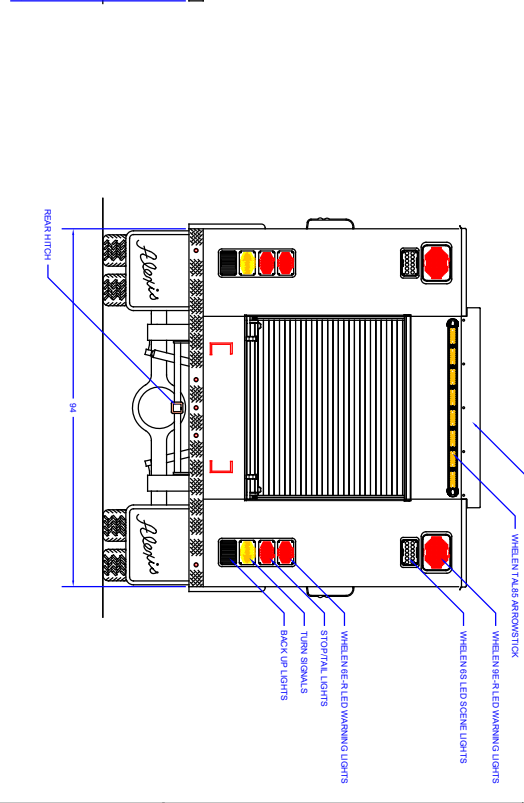
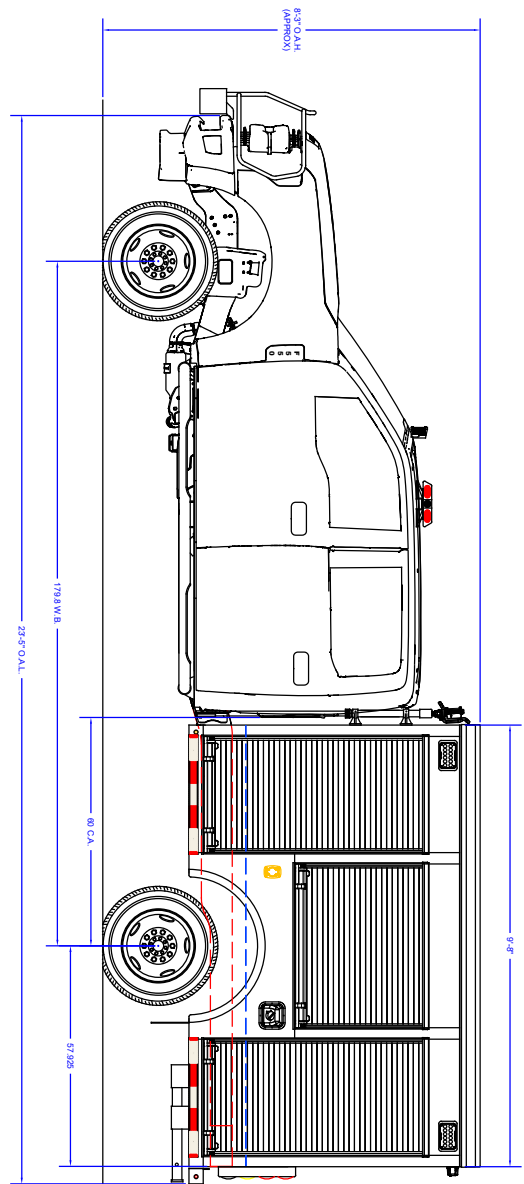
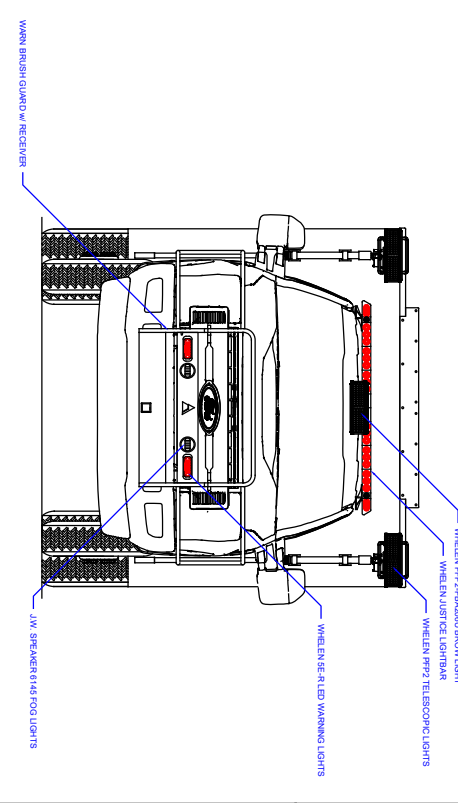
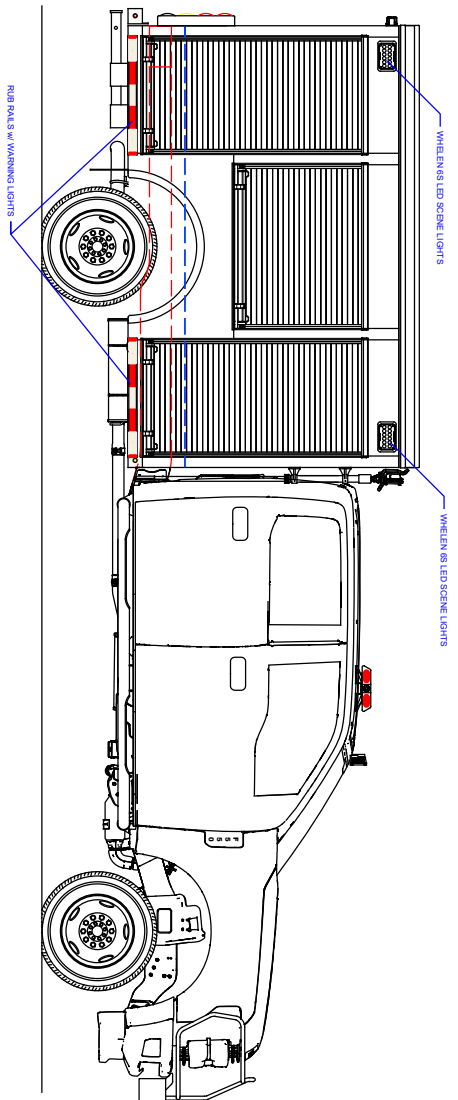
To view more photos and download flyer, please visit us at [AlexisFire.com](http://AlexisFire.com).

DATE: 1

CUSTOMER APPROVAL SIGNATURE: \_\_\_\_\_

ORWELL-0001

IN THE EVENT THERE ARE DISCREPANCIES BETWEEN THE DRAWING AND THE SPECIFICATIONS, THE SPECIFICATIONS SHALL PREVAIL.



**COMPARTMENT DIMENSIONS**

Pump Info:		Apparatus Type: Response 1 (10' (60" C.A.))	
Control Location:	Name	Chassis:	Ford 4-Door
Pump Drive:		Tank Capacity:	
Pump Make:		Material:	Stainless Steel
Pump Model:			
Pump GPM:			

COMPARTMENT DIMENSIONS		DOOR OPENING SIZES	
COUP #		L1 & R1	28" WIDE X 53" HIGH X TRANS
L2 & R2	41" WIDE X 29" HIGH X 21" DEEP	L3 & R3	28" WIDE X 53" HIGH X 21" DEEP
REAR	48" WIDE X 37" HIGH X 91" DEEP		

UNITS/ON-HWYER SPECIFIED		ALEXIS FIRE EQUIPMENT CO.	
DECIMAL	ANGULAR	P.O. BOX 549	ALEXIS LINDS 6412
TOLERANCES ARE NOT DIMENSIONAL			
FRAC TIONAL	TIT LE		
The copyright of this drawing and design and the right of reproduction here in, shall be the property of the company.			
PROJECT	DATE	SIZE	DWG NO
M. THAKKAM	12/21/16	1/2" = 1'	ORWELL FIRST RESPONSE
DATE	CONTRACT #	SHEET	R1-C86
		1	OR - 2