

BRUSH TRUCK

DALLAS RURAL FIRE PROTECTION DISTRICT / LOMAX, ILLINOIS



ALEXIS



THANK YOU TO DALLAS RURAL FIRE PROTECTION DISTRICT FOR THE PURCHASE OF THIS UNIT.



TECHNICAL SPECIFICATIONS

- Ford F-550 XL 4x4 4-Door DRW Chassis
- Ford 6.8L V10, 288-HP Gasoline Engine
- Ford TorqShift 6-speed Automatic Transmission
- Luverne stainless steel Nerf bars
- One (1) Reese steel rear hitch/winch receiver with electrical connections
- One (1) Warn multi-mount 9000-lb winch
- One (1) Warn stainless steel brush guard with wrap around and front receiver
- Heavy Duty 3/16" Aluminum Body
- Two (2) compartments, one (1) each side with two (2) drop down doors each
- Two (2) Hose trays, one (1) each side compartment tops
- 385-Gallon Poly Tank with 10-Gallon foam tank
- Darley 1 1/2 AGE Pump with 20-HP Honda gasoline engine
- Two (2) 1" Booster lines with 10-ft of hose each
- One (1) 2 1/2" and one (1) 1 1/2" Discharges, rear
- Trident "Foamate" around the pump foam system
- Akron front Turret remote controlled from the chassis cab
- One (1) Hannay electric booster Reel with 150-ft of 1" hose
- Floor mounted console for emergency switches with map/binder storage, cab
- One (1) Progressive Dynamics on-board battery charger with manual shoreline
- Whelen Electronic Siren with 100-watt Whelen speaker
- Two (2) Whelen LED Scene lights, rear
- Two (2) Akron Extenda-Lite 12-volt LED telescopic lights, one (1) each side
- Whelen LED Warning Light Package
- One (1) FireResearch Tank Vision Indicator (Tank and cab mounted)
- Chevron pattern striping, rear
- 8' 7" Overall height
- 23' 3" Overall length
- 179" Wheelbase
- 60" Cab to Axle
- 7,500 FAWR
- 14,706 RAWR
- 19,500 GVWR

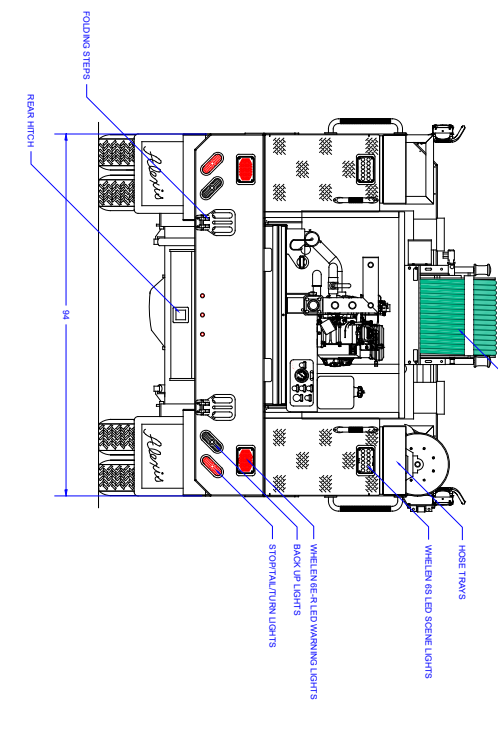
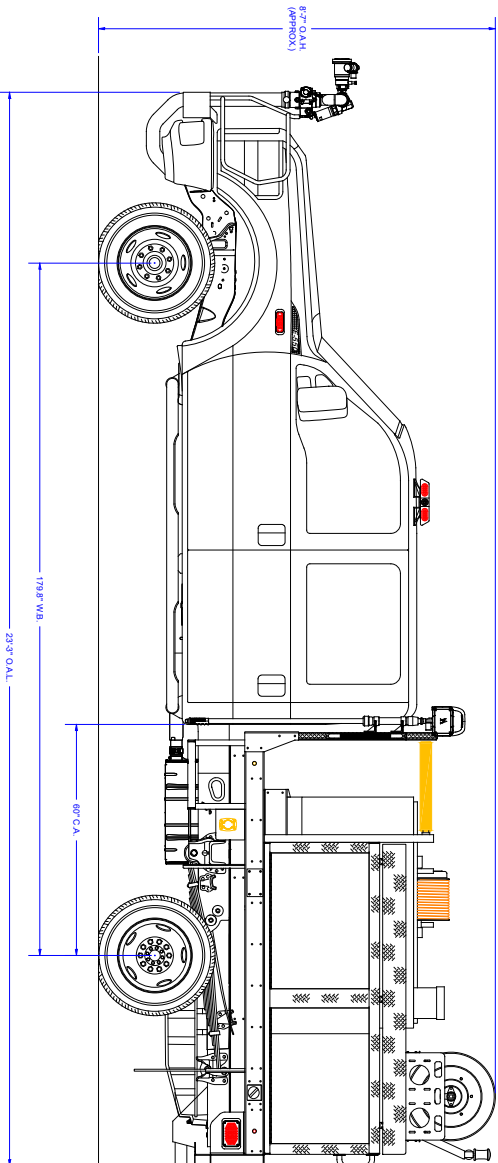
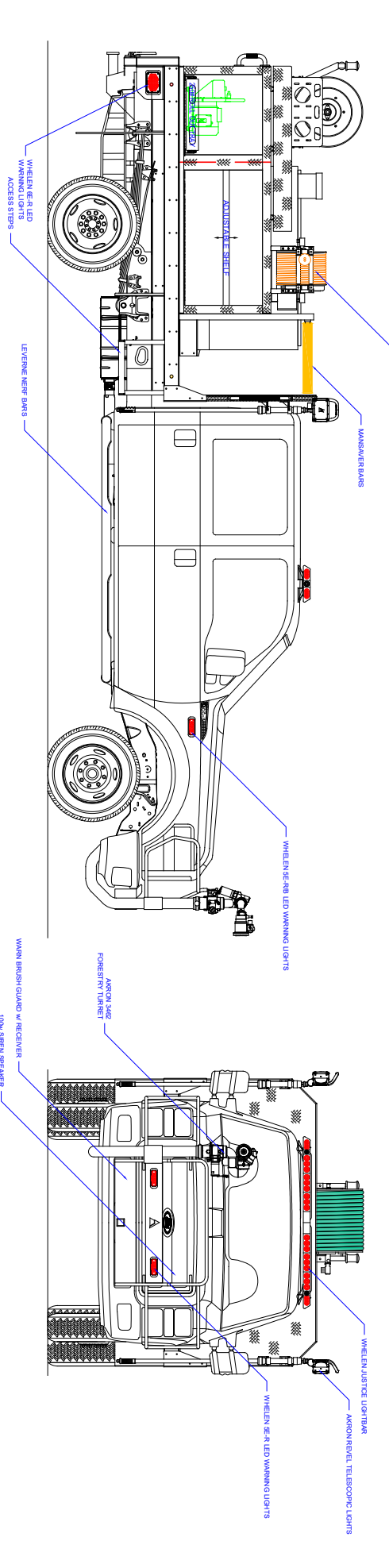


To view more photos and download flyer, please visit us at AlexisFire.com.

CUSTOMER APPROVAL SIGNATURE: _____ DATE: _____

ALEXIS-0002

IN THE EVENT THERE ARE DISCREPANCIES BETWEEN THE DRAWING AND THE SPECIFICATIONS, THE SPECIFICATIONS SHALL PREVAIL.



COMPARTMENT DIMENSIONS

COMP #	DOOR OPENING SIZES
L1	35" WIDE X 25" HIGH X 15" DEEP
L2	35" WIDE X 25" HIGH X 15" DEEP
R1	44" WIDE X 25" HIGH X 15" DEEP
R2	26" WIDE X 25" HIGH X 17" DEEP

UNLESS OTHERWISE SPECIFIED, DIMENSIONS ARE IN INCHES. DIMENSIONS ARE NOT COGNITIVE. PRECISION: ±.016 METRIC: ±.40

BRUSH TRUCK
 P.O. BOX 569 ALEXIS, ILLINOIS 61412

DALLAS RURAL FPD, NOTIA STATION
 NOTIA, IL

DATE: 11/10/16
 DRAWN BY: DWGNO
 SIZE: 34" x 1"
 CONTRACT # : SK855
 SHEET 1 OF 2

REVISION	DESCRIPTION	DATE	BY
01	ISSUED FOR CHANGES	11/10/16	MCT
02	ISSUED FOR CHANGES	11/10/16	MCT
03	ISSUED FOR CHANGES	11/10/16	MCT

CONTROL LOCATION	APPARATUS TYPE	VEHICLE TYPE
Control Location: Rear	Apparatus Type: Brush Truck	Vehicle Type: None
Pump Make: None	Chassis: Ford 4-Door	Tank Capacity: 385
Pump Model: Pump GPM:	Material: Aluminum	