

FLATBED BRUSH TRUCK

HENDERSON TOWNSHIP FIRE PROTECTION DISTRICT
HENDERSON, ILLINOIS



ALEXIS



THANK YOU TO HENDERSON TOWNSHIP FIRE PROTECTION DISTRICT FOR THE PURCHASE OF THIS UNIT.



TECHNICAL SPECIFICATIONS

- Ford F-550 XL 4x4 4-Door DRW Chassis
- Ford 6.8L V-10, 362-HP Gasoline Engine
- Ford Torqshift 6-speed Automatic Transmission
- Heavy Duty 3/16" Aluminum Body
- Luverne Stainless steel Nerf bars
- Ranch Hand Brush Guard with wrap around and receiver
- Reese type rear trailer/winch receiver with electrical connections
- Warn multi-mount 9000-lb Winch
- 400-Gallon Poly Skid Tank
- Darley 1 1/2 AGE Pump with 20-HP Honda Gasoline Engine
- Two (2) 1" Booster lines with 10-ft of hose
- One (1) 1 1/2" Discharge, rear
- One (1) Hannay Electric Booster Reel with 150-ft of 1" hose, rear
- Akron Front Turret with joystick controlled from cab
- Two (2) compartments with two (2) lift up doors each, one (1) each side
- One (1) Hose Tray, left side compartment top
- One (1) Long Handled Tool storage compartment with rear access, right side
- Two (2) Walk-away Air pack brackets, right side compartment
- Custom Fire Extinguisher compartment, right side behind rear wheels
- Floor mounted console for Emergency switches, cab
- Progressive Dynamics on-board battery charger
- Kussmaul Super Auto Eject 120-volt shoreline connection
- Whelen Electronic Siren with Whelen 100-watt speaker
- Whelen LED Scene Light Package
- Two (2) Akron Extenda-Lite LED 12-volt Telescopic lights, one (1) each side
- Whelen LED Warning Light Package
- Chevron pattern striping, rear
- 8' 6" Overall height
- 23' 3" Overall length
- 179.8" Wheelbase
- 60" Cab to Axle

• 7,500 FAWR
• 14,706 RAWR
• 19,500 GVWR

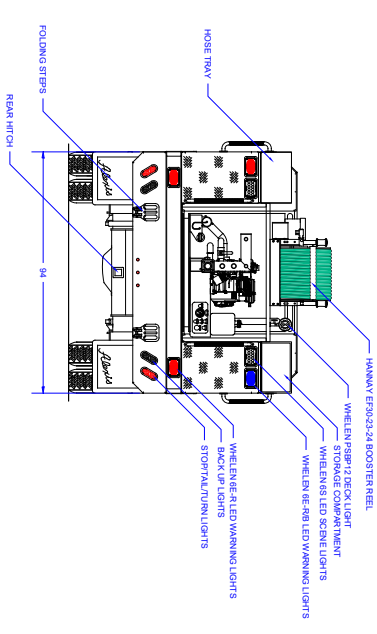
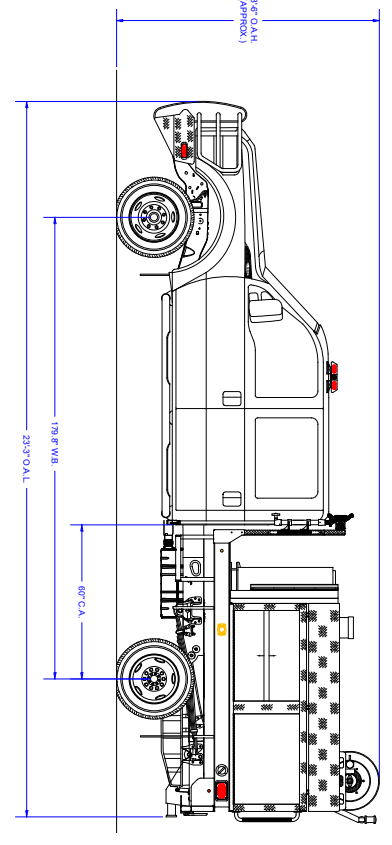
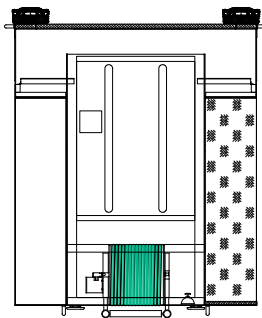
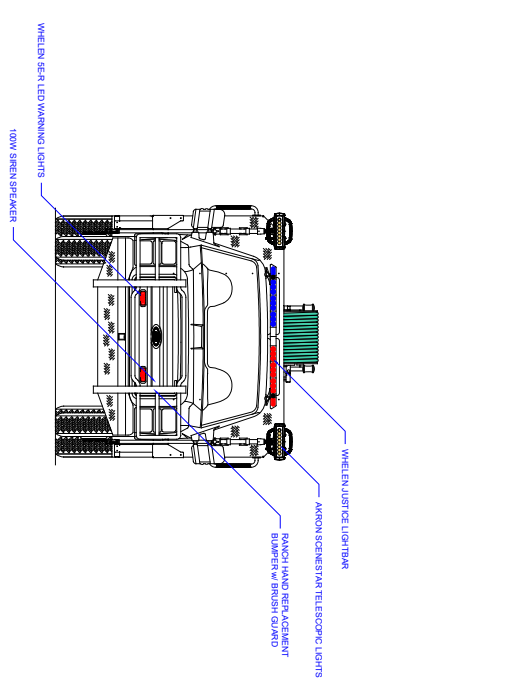
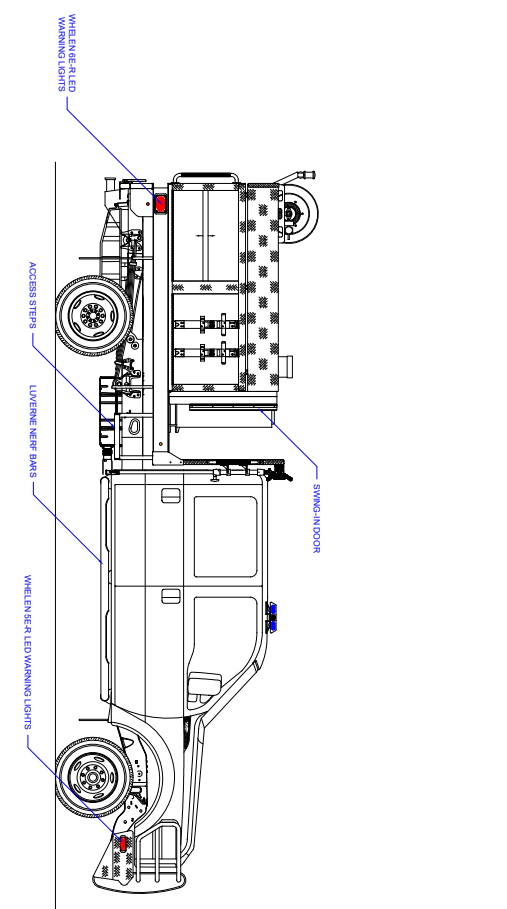


To view more photos and download flyer, please visit us at AlexisFire.com.

CUSTOMER APPROVAL SIGNATURE: _____ DATE: _____

HENDERSON TWP-0002

IN THE EVENT THERE ARE DISCREPANCIES BETWEEN THE DRAWING AND THE SPECIFICATIONS, THE SPECIFICATIONS SHALL PREVAIL.



COMPARTMENT DIMENSIONS		CONTROL LOCATION		APPLICABLE TYPE		COMP #	
DOOR OPENING SIZES	35" WIDE X 28" HIGH X 17" DEEP	Control Location	Rear	Apparatus Type	Brush Truck	LI & L2	RT & R2
	35" WIDE X 28" HIGH X 17" DEEP	Control Location	Rear	Chassis Type	4-Door		
		Pump Drive	SHD - Gas	Empty Capacity	450		
		Pump Motor		Material	Aluminum		
		Material	Aluminum				
		Material	Aluminum				

BRUSH TRUCK
HENDERSON TWP, F.P.D.
HENDERSON, IL

FIRE EQUIPMENT CO.
P.O. BOX 548 ALENIS, ILLINOIS 61412

UNLESS OTHERWISE SPECIFIED, DIMENSIONS ARE IN INCHES. TOLERANCES ARE NOT CUMULATIVE.

DECIMAL EQUIVALENTS:
 .125" = 1/8"
 .250" = 1/4"
 .375" = 3/8"
 .500" = 1/2"
 .625" = 5/8"
 .750" = 3/4"
 .875" = 7/8"
 1.000" = 1"

DATE: 8/28/17
 DRAWN BY: MTINKHAM
 CHECKED BY: SWGND
 SHEET: 1 OF 2