

COMPARTMENT DIMENSIONS	
COMP #	DOOR OPENING SIZES
L1 & R1	27" WIDE X 50" HIGH X TRANS/21" DEEP
L2 & R2	40" WIDE X 25" HIGH X 21" DEEP
L3 & R3	27" WIDE X 50" HIGH X 21" DEEP
REAR	45" WIDE X 35" HIGH X 91" DEEP
UNLESS OTHERWISE SPECIFIED DIMENSIONS ARE IN INCHES TOLERANCES ARE NOT CUMULATIVE	
DECIMAL ± 0.062	ANGULAR ± 0.5°
FRACTIONAL ± 1/16	METRIC ± 1.6 mm
ALEXIS FIRE EQUIPMENT CO. P.O. BOX 549, ALEXIS, ILLINOIS 61412	
The copyright of this drawing and design and the right of reproduction there is vested in and belongs to Alexis Fire Equipment Co.	
DRAWN: L.CORBIN DATE: 12/01/14	SIZE: D SCALE: 3/4" = 1' DWG NO: R1-C62
MATERIAL	CONTRACT #
SHEET 1 OF 2	

Pump Info:	Apparatus Type: Response 1 10' (60" C.A.)
Control Location: None	Chassis: Ford 4-Door
Pump Drive: None	Tank Capacity:
Pump Make: None	
Pump Model: None	
Pump GPM:	Material: Stainless Steel

CUSTOMER APPROVAL SIGNATURE: _____ DATE: _____

ALEXIS-0001

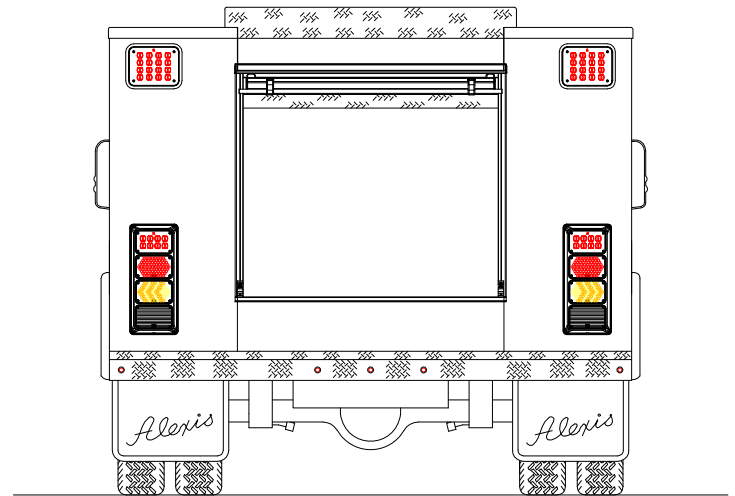
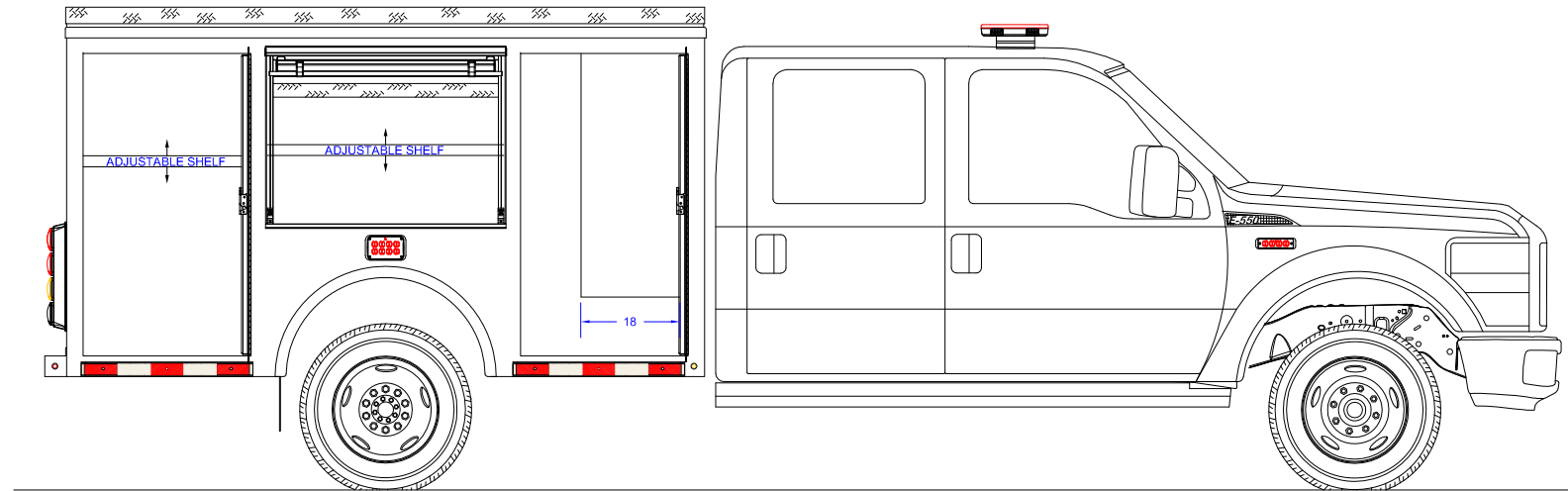
IN THE EVENT THERE ARE DISCREPANCIES BETWEEN THE DRAWING AND THE SPECIFICATIONS, THE SPECIFICATIONS SHALL PREVAIL.

REVISION HISTORY			
REV	DESCRIPTION	DATE	DWN

8 7 6 5 4 3 2 1

D

D

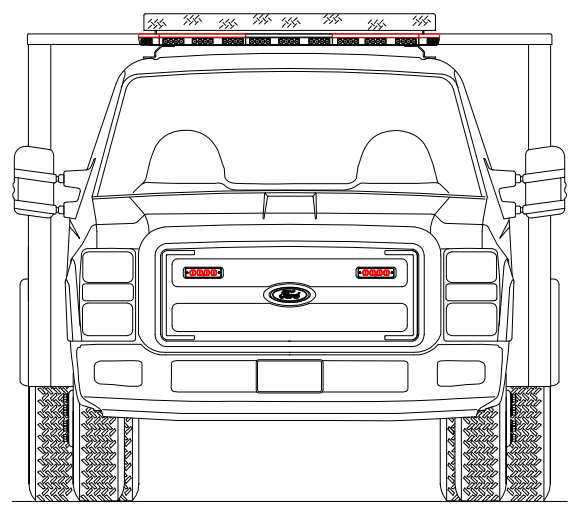


C

C

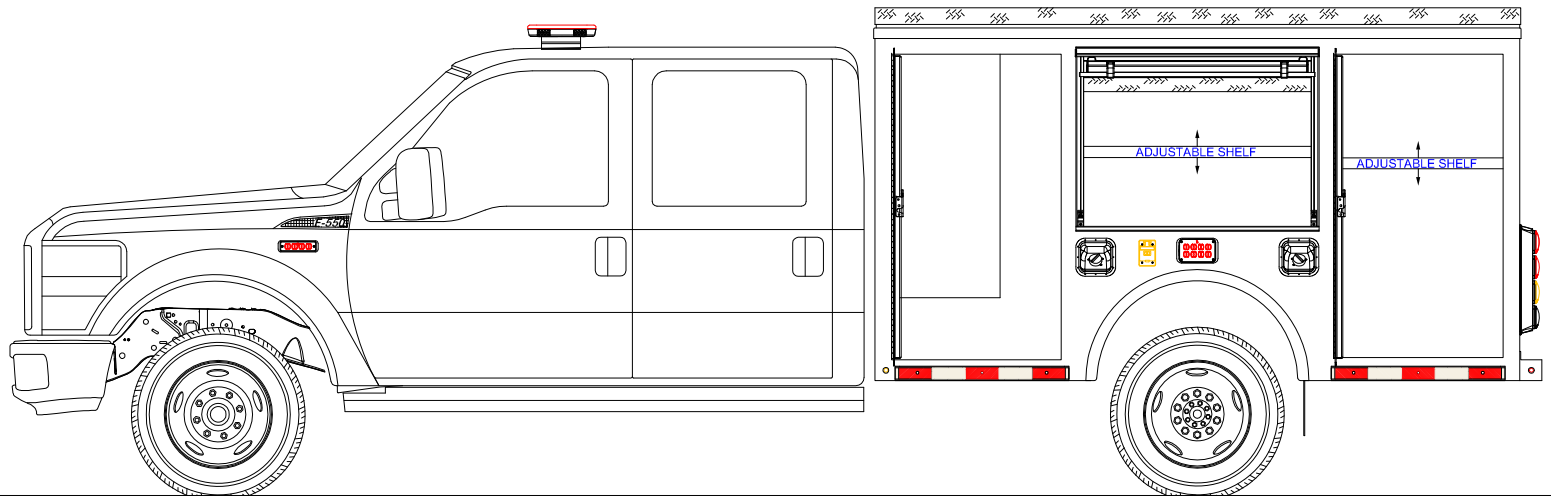
B

B




B

B



A

A

COMPARTMENT DIMENSIONS	
COMP #	DOOR OPENING SIZES
L1 & R1	27" WIDE X 50" HIGH X TRANS/21" DEEP
L2 & R2	40" WIDE X 25" HIGH X 21" DEEP
L3 & R3	27" WIDE X 50" HIGH X 21" DEEP
REAR	45" WIDE X 35" HIGH X 91" DEEP
<small>UNLESS OTHERWISE SPECIFIED DIMENSIONS ARE IN INCHES TOLERANCES ARE NOT CUMULATIVE</small> <small>DECIMAL ± 0.062 ANGULAR ± 0.5° FRACTIONAL ± 1/16 METRIC ± 1.6 mm</small>	
 ALEXIS FIRE EQUIPMENT CO. P.O. BOX 549, ALEXIS, ILLINOIS 61412	
RESPONSE 1 SD ALEXIS FIRE EQUIPMENT ALEXIS, ILLINOIS	
DRAWN: L. CORBIN DATE: 12/01/14	SIZE: D SCALE: 3/4" = 1' DWG NO: R1-C62
MATERIAL	CONTRACT # SHEET 2 OF 2

Pump Info:	
Control Location: None	Apparatus Type: Response 1 10' (60" C.A.)
Pump Drive: None	Chassis: Ford 4-Door
Pump Make: None	Tank Capacity:
Pump Model: None	
Pump GPM:	Material: Stainless Steel

CUSTOMER APPROVAL SIGNATURE: _____ DATE: _____

ALEXIS-0001

IN THE EVENT THERE ARE DISCREPANCIES BETWEEN THE DRAWING AND THE SPECIFICATIONS, THE SPECIFICATIONS SHALL PREVAIL.

REVISION HISTORY			
REV	DESCRIPTION	DATE	DWN

8 7 6 5 4 3 2 1