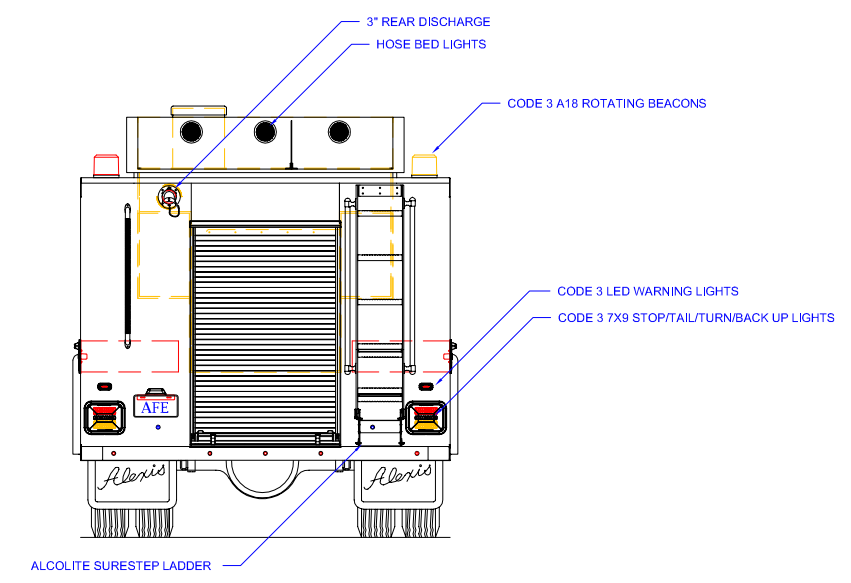
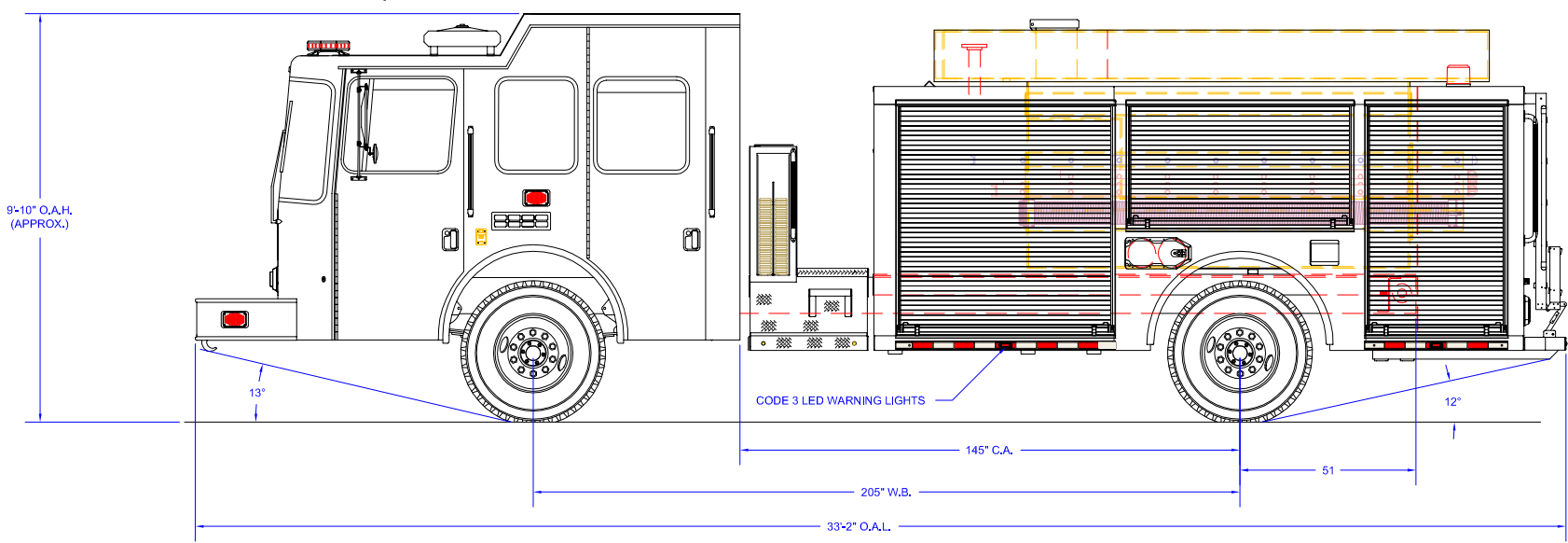
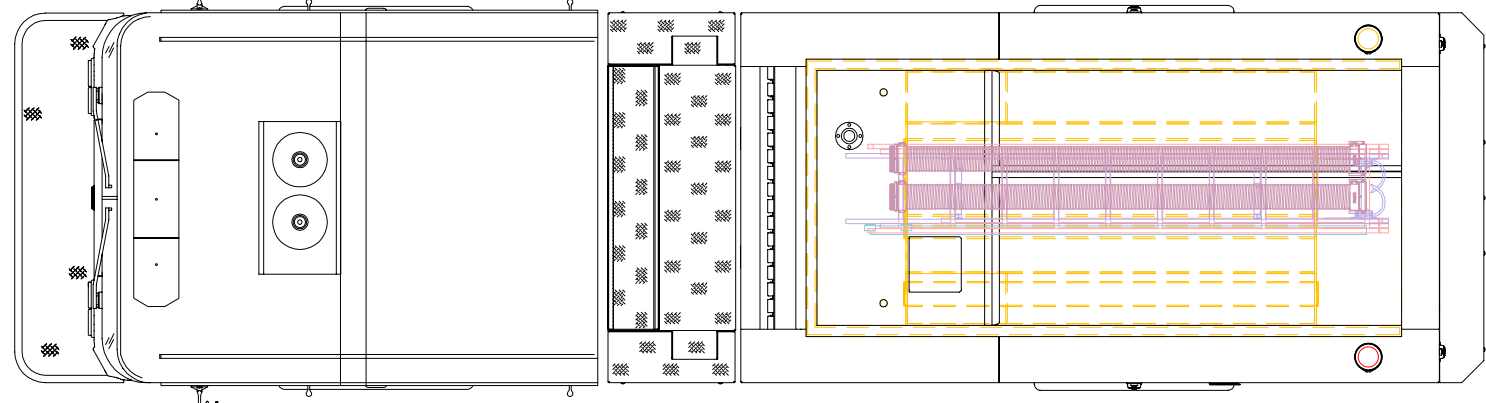
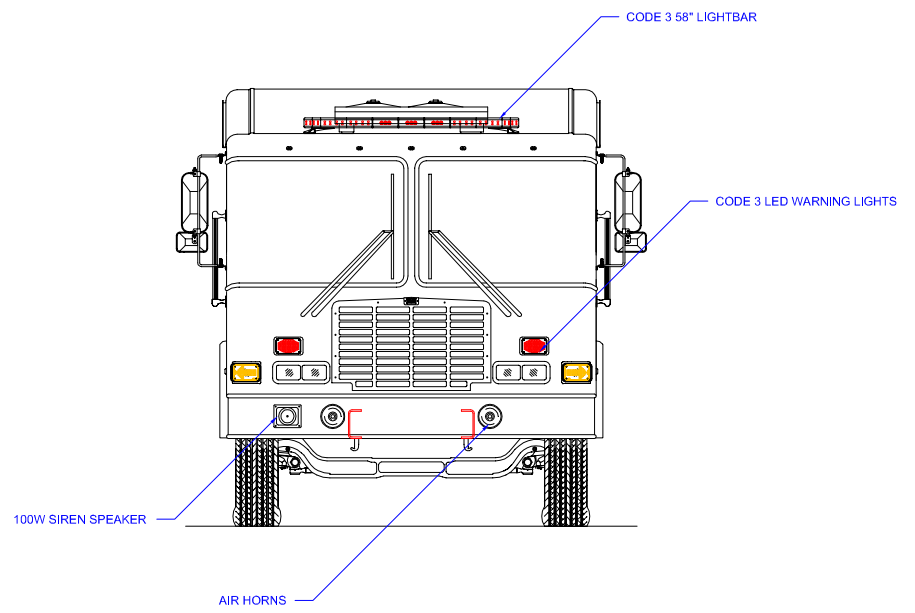
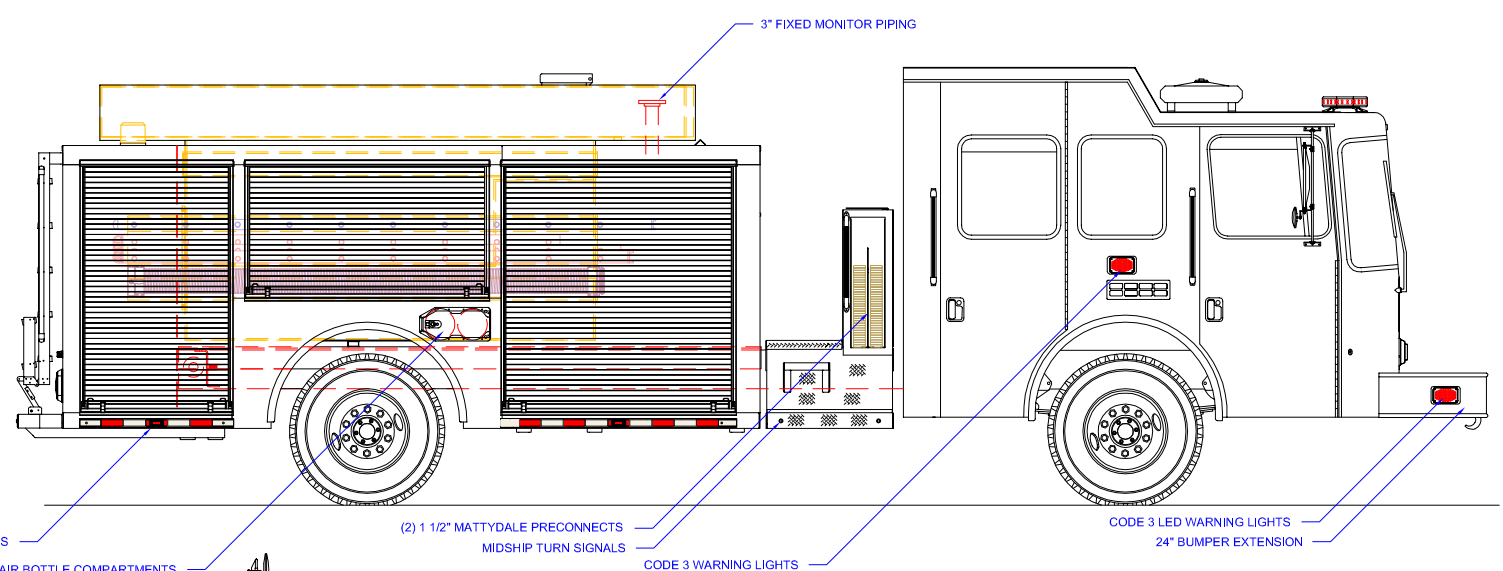


CUSTOMER APPROVAL SIGNATURE:

DATE:

### ALEXIS-2265

IN THE EVENT THERE ARE DISCREPANCIES BETWEEN THE DRAWING AND THE SPECIFICATIONS, THE SPECIFICATIONS SHALL PREVAIL.



REVISION HISTORY				
REV	DESCRIPTION	DATE	DWN	LIC
01	SALES UPDATE	04/17/15		

<b>Pump Info:</b>		Apparatus Type: <b>Pumper</b>
Control Location: <b>Top</b>	Pump Drive: <b>Split Shaft</b>	Chassis: <b>HME 60 - BOC</b>
Pump Make: <b>Darley</b>	Pump Model: <b>PSM</b>	Tank Capacity: <b>1000</b>
Pump GPM: <b>1500</b>	Material: <b>Stainless Steel</b>	

COMPARTMENT DIMENSIONS	
COMP #	DOOR OPENING SIZES
L1 & R1	61" WIDE X 62" HIGH X 12"/26" DEEP
L2 & R2	63" WIDE X 31" HIGH X 12" DEEP
L3 & R3	38" WIDE X 62" HIGH X 12"/26" DEEP
REAR	38" WIDE X 54" HIGH X 29" DEEP

UNLESS OTHERWISE SPECIFIED DIMENSIONS ARE IN INCHES TOLERANCES ARE NOT CUMULATIVE

DECIMAL ± 0.062 ANGULAR ± 0.5°  
FRACTIONAL ± 1/16 METRIC ± 1.6 mm

The copyright of this drawing and design and the right of reproduction there is vested in and belongs to Alexis Fire Equipment Co.

DRAWN: M.TINKHAM  
SCALE: 1/9/15  
MATERIAL: D

**Alexis FIRE EQUIPMENT CO.**  
P.O. BOX 549, ALEXIS, ILLINOIS 61412

**TOP MOUNT EQUALIZER**  
ALEXIS FIRE EQUIPMENT  
ALEXIS, ILLINOIS

DWG NO: **EQ-A48**

CONTRACT # 2265 SHEET 2 OF 2

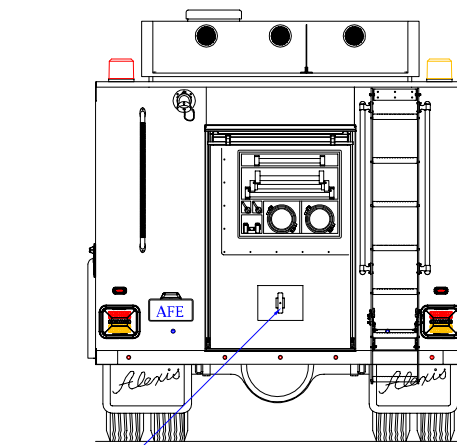
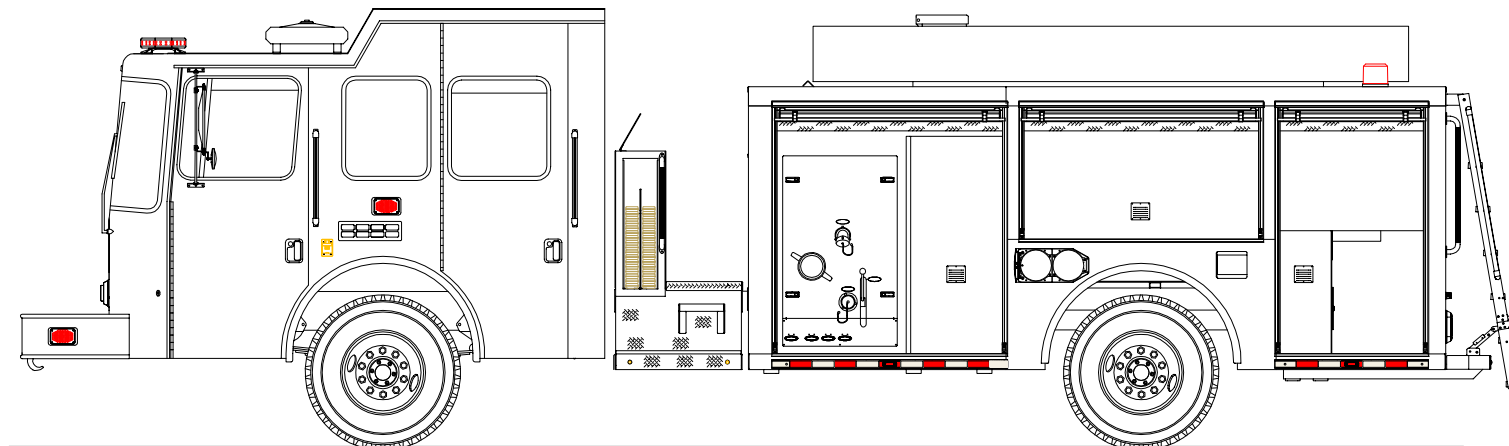
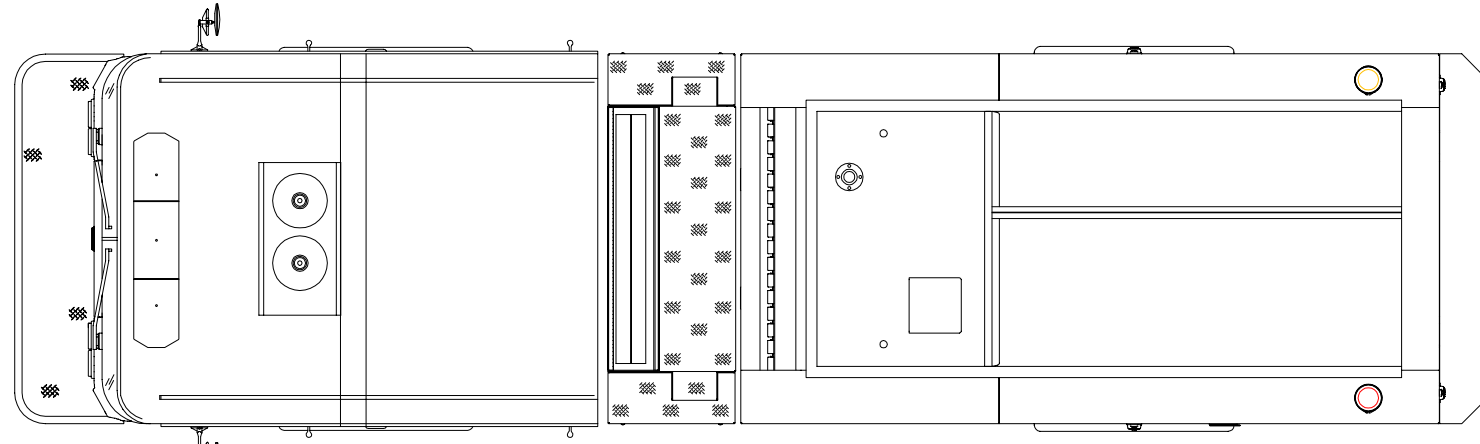
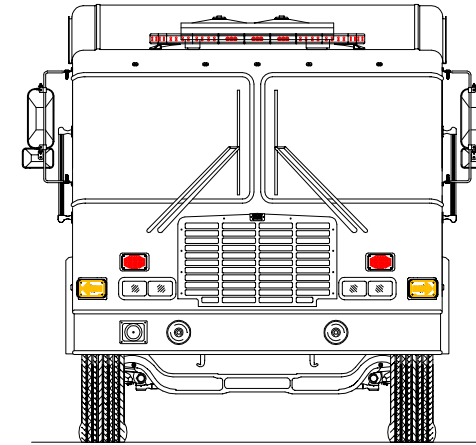
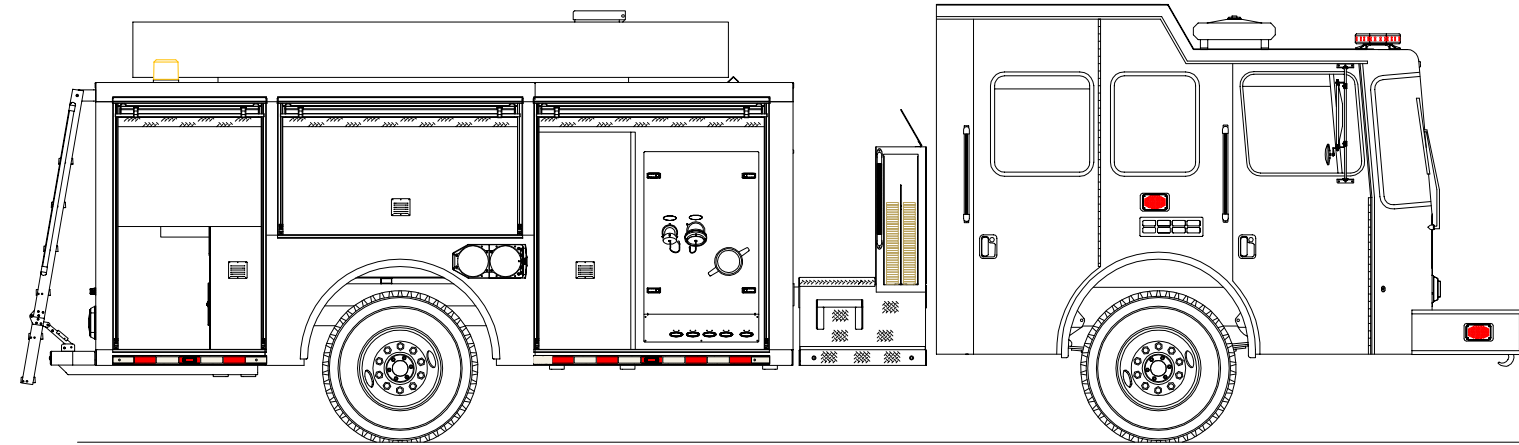
V:\Sold 2015\AFE Demo HME Equalizer 2265\Red File Drawings\EQ-A48.dwg, 5/1/2015 7:20:34 AM, Icorbin

**ALEXIS-2265**

IN THE EVENT THERE ARE DISCREPANCIES BETWEEN THE DRAWING AND THE SPECIFICATIONS, THE SPECIFICATIONS SHALL PREVAIL.

CUSTOMER APPROVAL SIGNATURE:

DATE:



TOW EYE

REVISION HISTORY			
REV	DESCRIPTION	DATE	DWN
01	SALES UPDATE	04/17/15	LJC

<b>Pump Info:</b>	
Control Location: <b>Top</b>	Apparatus Type: <b>Pumper</b>
Pump Drive: <b>Split Shaft</b>	Chassis: <b>HME 60 - BOC</b>
Pump Make: <b>Darley</b>	Tank Capacity: <b>1000</b>
Pump Model: <b>PSM</b>	
Pump GPM: <b>1500</b>	Material: <b>Stainless Steel</b>

**COMPARTMENT DIMENSIONS**

COMP #	DOOR OPENING SIZES
L1 & R1	61" WIDE X 62" HIGH X 12"/26" DEEP
L2 & R2	63" WIDE X 31" HIGH X 12" DEEP
L3 & R3	38" WIDE X 62" HIGH X 12"/26" DEEP
REAR	38" WIDE X 54" HIGH X 29" DEEP

UNLESS OTHERWISE SPECIFIED DIMENSIONS ARE IN INCHES TOLERANCES ARE NOT CUMULATIVE

DECIMAL ± 0.062 ANGULAR ± 0.5°  
FRACTIONAL ± 1/16 METRIC ± 1.6 mm

The copyright of this drawing and design and the right of reproduction there is vested in and belongs to Alexis Fire Equipment Co.

DRAWN	M.TINKHAM	DATE	1/9/15
MATERIAL			

**Alexis FIRE EQUIPMENT CO.**  
P.O. BOX 549, ALEXIS, ILLINOIS 61412

**TOP MOUNT EQUALIZER**  
ALEXIS FIRE EQUIPMENT  
ALEXIS, ILLINOIS

SIZE	SCALE	DWG NO
D	1/2" = 1"	<b>EQ-A48</b>
CONTRACT #	2265	SHEET 2 OF 2