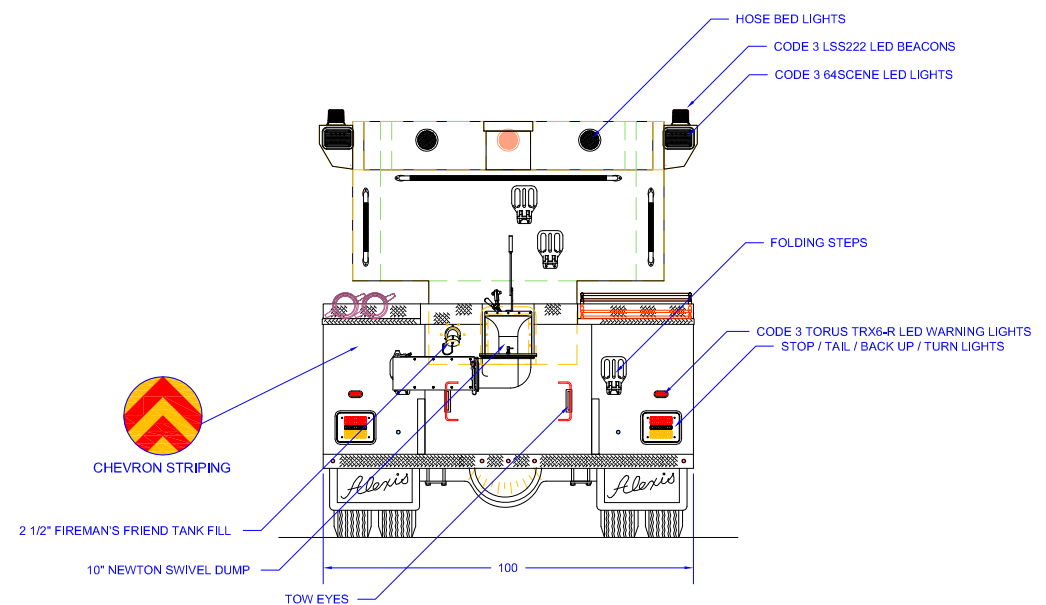
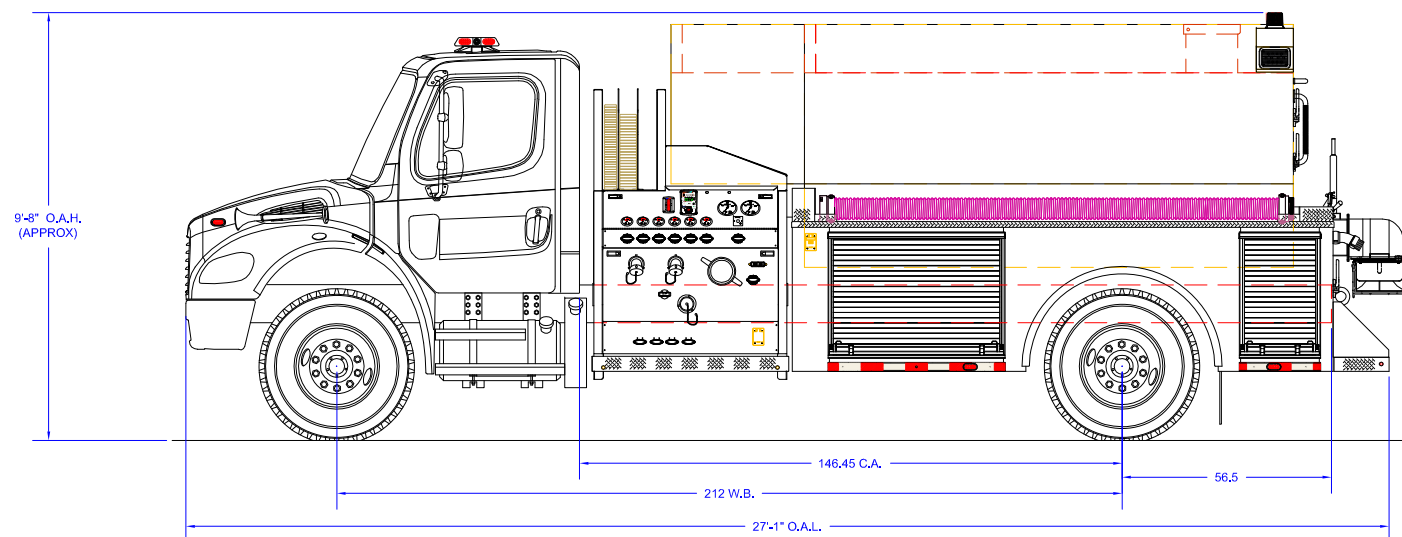
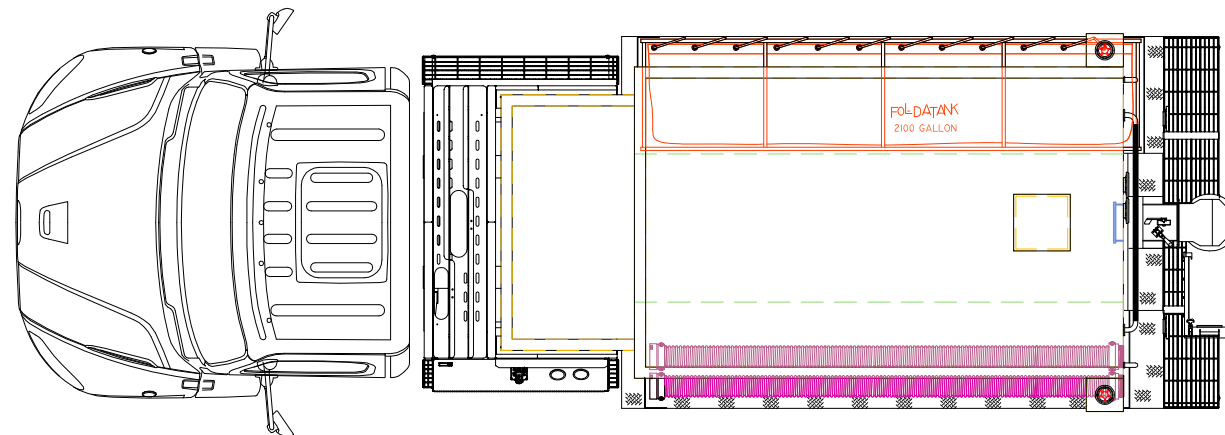
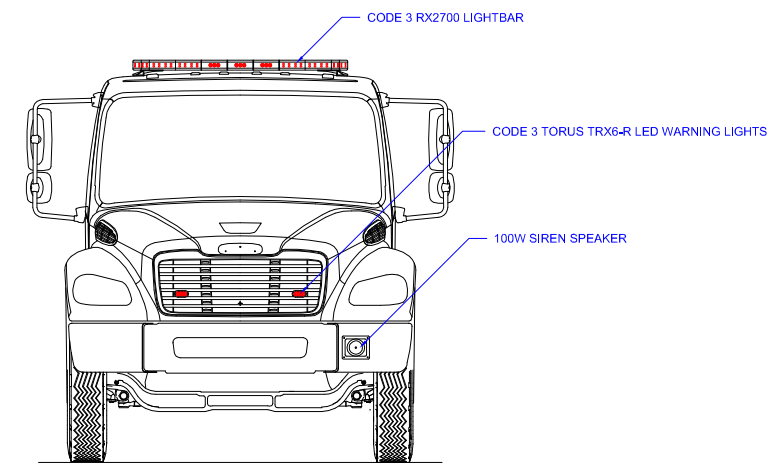
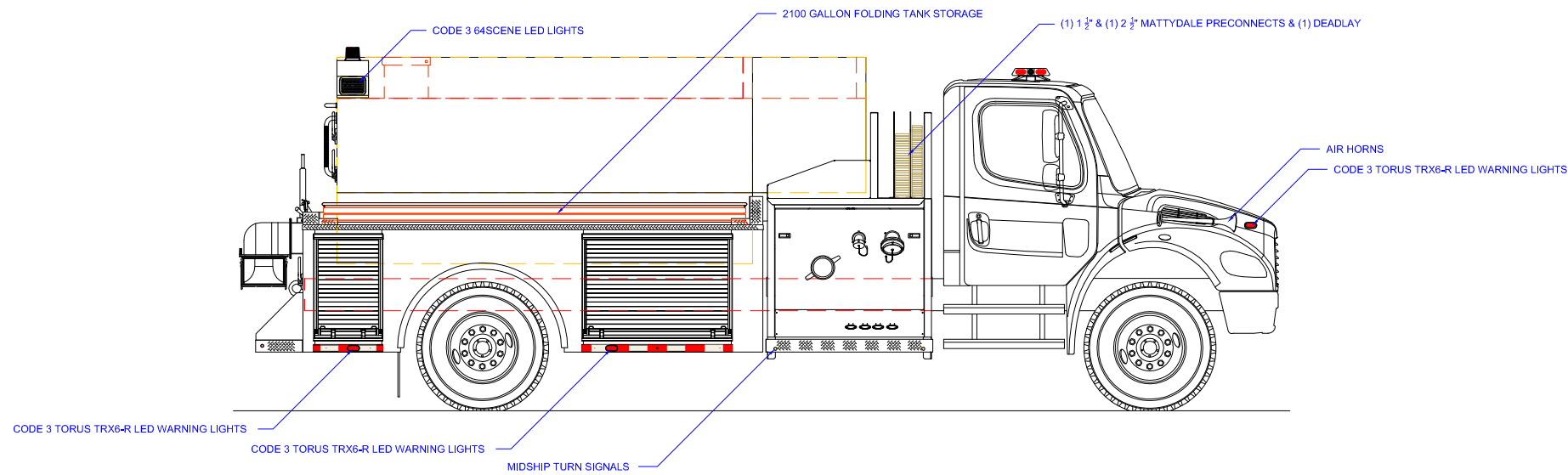


CUSTOMER APPROVAL SIGNATURE: _____ DATE: _____

AFE-2278
 IN THE EVENT THERE ARE DISCREPANCIES BETWEEN THE DRAWING AND THE SPECIFICATIONS, THE SPECIFICATIONS SHALL PREVAIL.



REVISION HISTORY			
REV	DESCRIPTION	DATE	DWN

Pump Info:	Control Location: Under Tank	Apparatus Type: Tanker
Pump Drive: Split Shaft	Chassis: Freightliner 2-Door	
Pump Make: Darley	Tank Capacity: 2000	
Pump Model: PSM		
Pump GPM: 1250	Material: Stainless Steel	

COMPARTMENT DIMENSIONS	
COMP #	DOOR OPENING SIZES
L1	45" WIDE X 27" HIGH X 26" DEEP
R1 & R2	19" WIDE X 27" HIGH X 26" DEEP

UNLESS OTHERWISE SPECIFIED DIMENSIONS ARE IN INCHES TOLERANCES ARE NOT CUMULATIVE
 DECIMAL ± 0.062 ANGULAR ± 0.5° FRACTIONAL ± 1/16 METRIC ± 1.6 mm

Alexis FIRE EQUIPMENT CO.
 P.O. BOX 549, ALEXIS, ILLINOIS 61412

2000 GAL. WETSIDE TANKER
 ALEXIS FIRE EQUIPMENT
 ALEXIS, IL

The copyright of this drawing and design and the right of reproduction there is vested in and belongs to Alexis Fire Equipment Co.

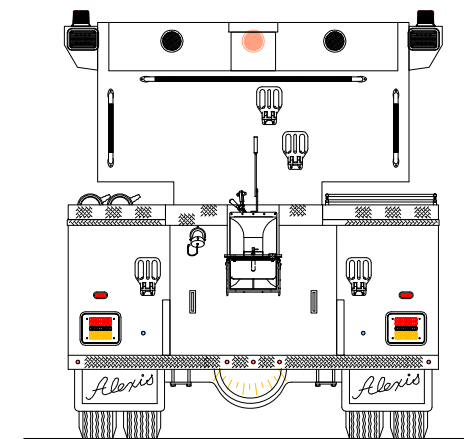
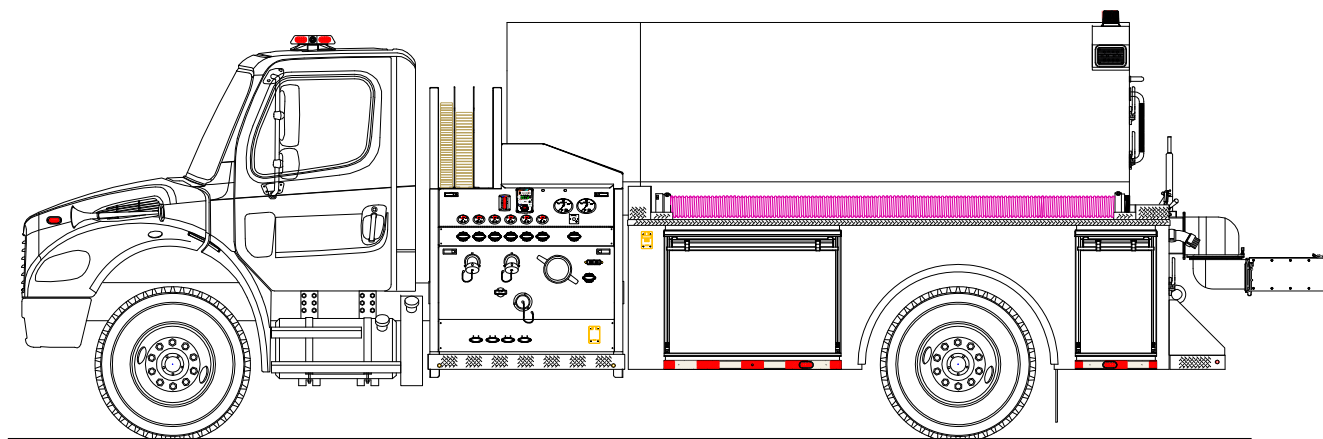
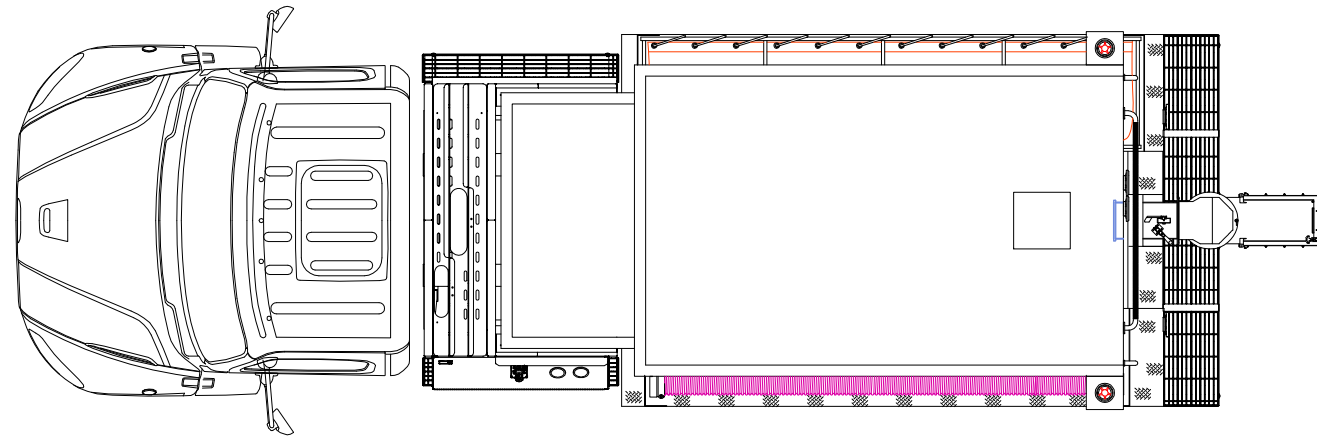
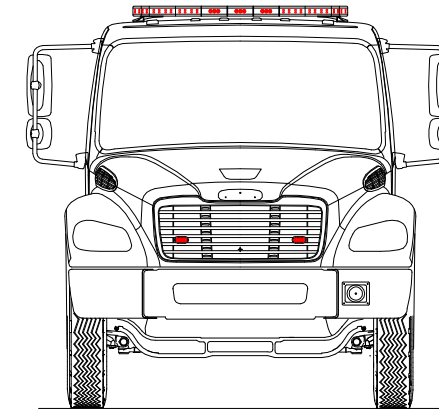
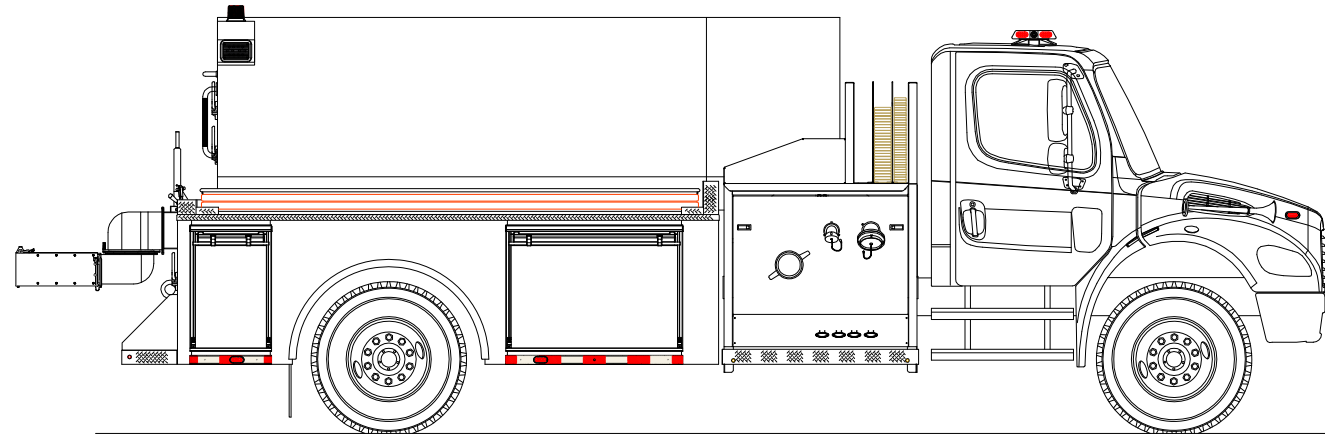
DRAWN: M.TINKHAM	DATE: 8/27/15	SIZE: D	SCALE: 1/2" = 1'	DWG NO: TP-A02
MATERIAL	CONTRACT #: 2278	SHEET 1 OF 2		

CUSTOMER APPROVAL SIGNATURE:

DATE:

AFE-2278

IN THE EVENT THERE ARE DISCREPANCIES BETWEEN THE DRAWING AND THE SPECIFICATIONS, THE SPECIFICATIONS SHALL PREVAIL.



UNLESS OTHERWISE SPECIFIED DIMENSIONS ARE IN INCHES TOLERANCES ARE NOT CUMULATIVE

DECIMAL ± 0.062 ANGULAR ± 0.5° FRACTIONAL ± 1/16 METRIC ± 1.6 mm

The copyright of this drawing and design and the right of reproduction there is vested in and belongs to Alexis Fire Equipment Co.

DRAWN M.TINKHAM 8/27/15 MATERIAL

ALEXIS FIRE EQUIPMENT CO. P.O. BOX 549, ALEXIS, ILLINOIS 61412

2000 GAL. WETSIDE TANKER ALEXIS FIRE EQUIPMENT ALEXIS, IL

SIZE SCALE DWG NO TP-A02 CONTRACT # 2278 SHEET 2 OF 2

Pump Info:				COMPARTMENT DIMENSIONS	
Control Location:	Under Tank	Apparatus Type:	Tanker	COMP #	
Pump Drive:	Split Shaft	Chassis:	Freightliner 2-Door	L1	45" WIDE X 27" HIGH X 26" DEEP
Pump Make:	Darley	Tank Capacity:	2000	R1 & R2	19" WIDE X 27" HIGH X 26" DEEP
Pump Model:	PSM				
Pump GPM:	1250	Material:	Stainless Steel		

REVISION HISTORY			
REV	DESCRIPTION	DATE	DWN