

Prepared for:
Alexis Fire MY2017
109 East Broadway St
Alexis, IL 61412
Phone: 309-482-3431

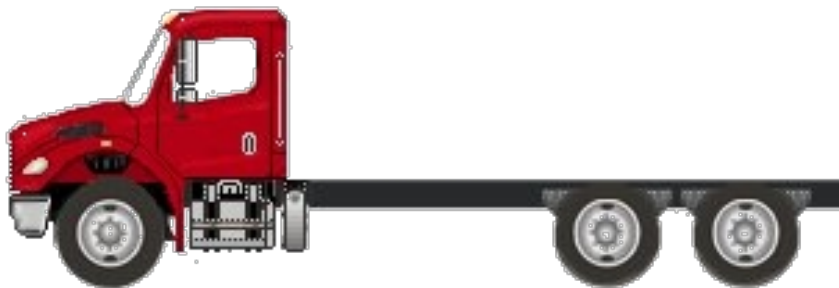
Prepared by:
Duane Schaefer
TRANSCHICAGO TRUCK
GROUP
776 N. YORK ROAD
ELMHURST, IL 60126
Phone: 630-279-0600 ext 609
E-Mail:
duaneschaefer@transchicago.com

A proposal for
Alexis Fire MY2017
Tandem Axle Demo # 1
Customer Draft # 5

Prepared by
TRANSCHICAGO TRUCK GROUP
Duane Schaefer

Oct 01, 2015

Freightliner M2 106



Components shown may not reflect all spec'd options and are not to scale

Application Version 8.8.008
Data Version PRL-10M.029
AFE Demo M2 TA 56K Reg Cab ALL
ALUM



10/01/2015 9:31 AM

Page 1 of 20

Freightliner reserves the right to change specifications, prices, and weights, without notice.

Prepared for:
Alexis Fire MY2017
109 East Broadway St
Alexis, IL 61412
Phone: 309-482-3431

Prepared by:
Duane Schaefer
TRANSCHICAGO TRUCK
GROUP
776 N. YORK ROAD
ELMHURST, IL 60126
Phone: 630-279-0600 ext 609
E-Mail:
duaneschaefer@transchicago.com

S P E C I F I C A T I O N P R O P O S A L

Description

Price Level

M2 PRL-10M (EFF:02/11/15)

Data Version

SPECPRO21 DATA RELEASE VER 029

Vehicle Configuration

M2 106 CONVENTIONAL CHASSIS
2016 MODEL YEAR SPECIFIED
SET BACK AXLE - TRUCK
STRAIGHT TRUCK PROVISION
LH PRIMARY STEERING LOCATION

General Service

TRUCK CONFIGURATION
DOMICILED, USA 50 STATES (INCLUDING CALIFORNIA AND CARB OPT-IN STATES)
FIRE SERVICE
EMERGENCY VEHICLES BUSINESS SEGMENT
LIQUID BULK COMMODITY
TERRAIN/DUTY: 100% (ALL) OF THE TIME, IN TRANSIT, IS SPENT ON PAVED ROADS
MAXIMUM 8% EXPECTED GRADE
SMOOTH CONCRETE OR ASPHALT PAVEMENT - MOST SEVERE IN-TRANSIT (BETWEEN SITES) ROAD SURFACE
MEDIUM TRUCK WARRANTY
EXPECTED FRONT AXLE(S) LOAD : 16000.0 lbs
EXPECTED REAR DRIVE AXLE(S) LOAD : 40000.0 lbs
EXPECTED GROSS VEHICLE WEIGHT CAPACITY : 56000.0 lbs

Truck Service

Application Version 8.8.008
Data Version PRL-10M.029
AFE Demo M2 TA 56K Reg Cab ALL
ALUM



10/01/2015 9:31 AM

Page 2 of 20

Prepared for:
Alexis Fire MY2017
109 East Broadway St
Alexis, IL 61412
Phone: 309-482-3431

Prepared by:
Duane Schaefer
TRANSCHICAGO TRUCK
GROUP
776 N. YORK ROAD
ELMHURST, IL 60126
Phone: 630-279-0600 ext 609
E-Mail:
duaneschaefer@transchicago.com

Description

FIRE TANK - NO MAIN DRIVELINE DRIVEN SPLIT-SHAFT PTO/PUMP
EXPECTED BODY/PAYLOAD CG HEIGHT ABOVE FRAME "XX" INCHES : 32.0 in

Engine

CUM ISL 350 HP @ 2000 RPM, 2200 GOV RPM,
1000 LB/FT @ 1400 RPM

Electronic Parameters

75 MPH ROAD SPEED LIMIT
CRUISE CONTROL SPEED LIMIT SAME AS ROAD SPEED LIMIT
PTO MODE ENGINE RPM LIMIT - 1100 RPM
PTO MODE BRAKE OVERRIDE - SERVICE BRAKE APPLIED
PTO RPM WITH CRUISE SET SWITCH - 700 RPM
PTO RPM WITH CRUISE RESUME SWITCH - 800 RPM
PTO MODE CANCEL VEHICLE SPEED - 5 MPH
PTO GOVERNOR RAMP RATE - 250 RPM PER SECOND
PTO MINIMUM RPM - 700
REGEN INHIBIT SPEED THRESHOLD - 5 MPH

Engine Equipment

2015 ONBOARD DIAGNOSTICS/2010 EPA/CARB/GHG14
2008 CARB EMISSION CERTIFICATION - EXEMPTED VEHICLE; NO CLEAN IDLE LABEL REQUIRED
STANDARD OIL PAN
ENGINE MOUNTED OIL CHECK AND FILL
ONE PIECE VALVE COVER
SIDE OF HOOD AIR INTAKE WITH NFPA COMPLIANT EMBER SCREEN AND FIRE RETARDANT DONALDSON AIR CLEANER
DR 12V 275 AMP 40-SI BRUSHLESS PAD ALTERNATOR WITH REMOTE BATTERY VOLTAGE SENSE
(2) ALLIANCE MODEL 1131, GROUP 31, 12 VOLT MAINTENANCE FREE 1900 CCA THREADED STUD BATTERIES, NON FCCC ONLY
BATTERY BOX FRAME MOUNTED



Prepared for:
Alexis Fire MY2017
109 East Broadway St
Alexis, IL 61412
Phone: 309-482-3431

Prepared by:
Duane Schaefer
TRANSCHICAGO TRUCK
GROUP
776 N. YORK ROAD
ELMHURST, IL 60126
Phone: 630-279-0600 ext 609
E-Mail:
duaneschaefer@transchicago.com

Description

STANDARD BATTERY JUMPERS
SINGLE BATTERY BOX FRAME MOUNTED LH
SIDE UNDER CAB
WIRE GROUND RETURN FOR BATTERY CABLES
WITH ADDITIONAL FRAME GROUND RETURN
NON-POLISHED BATTERY BOX COVER
CUMMINS TURBOCHARGED 18.7 CFM AIR
COMPRESSOR WITH INTERNAL SAFETY VALVE
STANDARD MECHANICAL AIR COMPRESSOR
GOVERNOR
AIR COMPRESSOR DISCHARGE LINE
GVG, FIRE AND EMERGENCY SERVICE
VEHICLES ENGINE WARNING
CUMMINS EXHAUST BRAKE INTEGRAL WITH
VARIABLE GEOMETRY TURBO WITH ON/OFF
DASH SWITCH
RH OUTBOARD UNDER STEP MOUNTED
HORIZONTAL AFTERTREATMENT SYSTEM
ASSEMBLY WITH RH HORIZONTAL TAILPIPE
EXITING FORWARD OF REAR TIRES
ENGINE AFTERTREATMENT DEVICE,
AUTOMATIC OVER THE ROAD ACTIVE
REGENERATION AND DASH MOUNTED SINGLE
REGENERATION REQUEST/INHIBIT SWITCH
STANDARD EXHAUST SYSTEM LENGTH
RH HORIZONTAL TAILPIPE, EXIT FORWARD OF
REAR TIRES AT 90 DEGREES
6 GALLON DIESEL EXHAUST FLUID TANK
100 PERCENT DIESEL EXHAUST FLUID FILL
LH MEDIUM DUTY STANDARD DIESEL EXHAUST
FLUID TANK LOCATION
DIESEL EXHAUST FLUID PUMP MOUNTED AFT
OF DIESEL EXHAUST FLUID TANK
STANDARD DIESEL EXHAUST FLUID TANK CAP
HORTON DRIVEMASTER ON/OFF FAN DRIVE
AUTOMATIC FAN CONTROL WITHOUT DASH
SWITCH, NON ENGINE MOUNTED
CUMMINS SPIN ON FUEL FILTER
COMBINATION FULL FLOW/BYPASS OIL FILTER
1100 SQUARE INCH ALUMINUM RADIATOR
ANTIFREEZE TO -34F, ETHYLENE GLYCOL PRE-
CHARGED SCA HEAVY DUTY COOLANT



Prepared for:
Alexis Fire MY2017
109 East Broadway St
Alexis, IL 61412
Phone: 309-482-3431

Prepared by:
Duane Schaefer
TRANSCHICAGO TRUCK
GROUP
776 N. YORK ROAD
ELMHURST, IL 60126
Phone: 630-279-0600 ext 609
E-Mail:
duaneschaefer@transchicago.com

Description

GATES BLUE STRIPE COOLANT HOSES OR
EQUIVALENT
CONSTANT TENSION HOSE CLAMPS FOR
COOLANT HOSES
RADIATOR DRAIN VALVE
LOWER RADIATOR GUARD
ALUMINUM FLYWHEEL HOUSING
ELECTRIC GRID AIR INTAKE WARMER
DELCO 12V 38MT HD STARTER WITH
INTEGRATED MAGNETIC SWITCH

Transmission

ALLISON 3000 EVS AUTOMATIC TRANSMISSION
WITH PTO PROVISION

Transmission Equipment

ALLISON VOCATIONAL PACKAGE 198 -
AVAILABLE ON 3000/4000 PRODUCT FAMILIES
WITH VOCATIONAL MODEL EVS
ALLISON VOCATIONAL RATING FOR FIRE
TRUCK/EMERGENCY VEHICLE APPLICATIONS
AVAILABLE WITH ALL PRODUCT FAMILIES
PRIMARY MODE GEARS, LOWEST GEAR 1,
START GEAR 1, HIGHEST GEAR 5, AVAILABLE
FOR 3000/4000 PRODUCT FAMILIES ONLY
SECONDARY MODE GEARS, LOWEST GEAR 1,
START GEAR 1, HIGHEST GEAR 5, AVAILABLE
FOR 3000/4000 PRODUCT FAMILIES ONLY
NEUTRAL AT STOP - DISABLED, FUELSENSE -
DISABLED
MAXIMUM ENGINE SPEED FOR PTO
ENGAGEMENT 2600 RPM - ALLISON 5TH GEN
TRANSMISSIONS
TCU-MAX PTO ENGINE SPEED OPERATION NOT
CONFIGURED
TCU-MAX PTO O/P SPD ENG NOT CONFIGURE
TCU-MAXIMUM PTO OUTPUT SPEED
OPERATION NOT CONFIGURED
ELECTRONIC TRANSMISSION CUSTOMER
ACCESS CONNECTOR MOUNTED BACK OF CAB
MAGNETIC PLUGS, ENGINE DRAIN,
TRANSMISSION DRAIN, AXLE(S) FILL AND
DRAIN
PUSH BUTTON ELECTRONIC SHIFT CONTROL,
DASH MOUNTED



Prepared for:
Alexis Fire MY2017
109 East Broadway St
Alexis, IL 61412
Phone: 309-482-3431

Prepared by:
Duane Schaefer
TRANSCHICAGO TRUCK
GROUP
776 N. YORK ROAD
ELMHURST, IL 60126
Phone: 630-279-0600 ext 609
E-Mail:
duaneschaefer@transchicago.com

Description

TRANSMISSION PROGNOSTICS - ENABLED 2013
WATER TO OIL TRANSMISSION COOLER, IN
RADIATOR END TANK
TRANSMISSION OIL CHECK AND FILL WITH
ELECTRONIC OIL LEVEL CHECK
SYNTHETIC TRANSMISSION FLUID (TES-295
COMPLIANT)

Front Axle and Equipment

DETROIT DA-F-16.0-5 16,000# FL1 71.0 KPI/3.74
DROP SINGLE FRONT AXLE
MERITOR 16.5X6 Q+ CAST SPIDER CAM FRONT
BRAKES, DOUBLE ANCHOR, FABRICATED
SHOES
FIRE AND EMERGENCY SEVERE SERVICE,
NON-ASBESTOS FRONT LINING
CONMET CAST IRON FRONT BRAKE DRUMS
SKF SCOTSEAL PLUS XL FRONT OIL SEALS
VENTED FRONT HUB CAPS WITH WINDOW,
CENTER AND SIDE PLUGS - OIL
STANDARD SPINDLE NUTS FOR ALL AXLES
MERITOR AUTOMATIC FRONT SLACK
ADJUSTERS
TRW TAS-85 POWER STEERING
POWER STEERING PUMP
2 QUART SEE THROUGH POWER STEERING
RESERVOIR
ORGANIC SAE 80/90 FRONT AXLE LUBE

Front Suspension

16,000# FLAT LEAF FRONT SUSPENSION
GRAPHITE BRONZE BUSHINGS WITH SEALS -
FRONT SUSPENSION
FRONT SUSPENSION WITH LEFT HAND OFFSET
SHACKLE BRACKET
FRONT SHOCK ABSORBERS

Rear Axle and Equipment

MT-40-14X 40,000# R-SERIES TANDEM REAR
AXLE
5.29 REAR AXLE RATIO
IRON REAR AXLE CARRIER WITH STANDARD
AXLE HOUSING



Prepared for:
Alexis Fire MY2017
109 East Broadway St
Alexis, IL 61412
Phone: 309-482-3431

Prepared by:
Duane Schaefer
TRANSCHICAGO TRUCK
GROUP
776 N. YORK ROAD
ELMHURST, IL 60126
Phone: 630-279-0600 ext 609
E-Mail:
duaneschaefer@transchicago.com

Description

DRIVELINE SPACER FOR CUSTOMER
FURNISHED FIRE PUMP

MXL 17N MERITOR EXTENDED LUBE MAIN
DRIVELINE WITH FULL ROUND YOKES

MXL 17N MERITOR EXTENDED LUBE
INTERAXLE DRIVELINE WITH FULL ROUND
YOKES

(1) INTERAXLE LOCK VALVE FOR TANDEM OR
TRIDEM DRIVE AXLES

BLINKING LAMP WITH EACH MODE SWITCH,
INTERAXLE UNLOCK DEFAULT WITH IGNITION
OFF

MERITOR 16.5X7 Q+ CAST SPIDER CAM REAR
BRAKES, DOUBLE ANCHOR, FABRICATED
SHOES

FIRE AND EMERGENCY SEVERE SERVICE NON-
ASBESTOS REAR BRAKE LINING

ASPHALT SPREADER CLEARANCE REAR
BRAKE GEOMETRY

CONMET CAST IRON REAR BRAKE DRUMS

SKF SCOTSEAL PLUS XL REAR OIL SEALS

HALDEX GOLDSEAL LONGSTROKE 2-DRIVE
AXLES SPRING PARKING CHAMBERS

HALDEX AUTOMATIC REAR SLACK ADJUSTERS

ORGANIC SAE 80/90 REAR AXLE LUBE

Rear Suspension

40,000# 4-SPRING FLAT LEAF REAR
SUSPENSION

SPRING SUSPENSION - 1.50" AXLE SPACER

STANDARD AXLE SEATS IN AXLE CLAMP
GROUP

52 INCH AXLE SPACING

HEAVY DUTY FORE/AFT CONTROL RODS

Brake System

AIR BRAKE PACKAGE

WABCO 4S/4M ABS WITH TRACTION CONTROL

REINFORCED NYLON, FABRIC BRAID AND WIRE
BRAID CHASSIS AIR LINES

FIBER BRAID PARKING BRAKE HOSE

STANDARD BRAKE SYSTEM VALVES



Prepared for:
Alexis Fire MY2017
109 East Broadway St
Alexis, IL 61412
Phone: 309-482-3431

Prepared by:
Duane Schaefer
TRANSCHICAGO TRUCK
GROUP
776 N. YORK ROAD
ELMHURST, IL 60126
Phone: 630-279-0600 ext 609
E-Mail:
duaneschaefer@transchicago.com

Description

STANDARD AIR SYSTEM PRESSURE
PROTECTION SYSTEM
STD U.S. FRONT BRAKE VALVE
RELAY VALVE WITH 5-8 PSI CRACK PRESSURE,
NO REAR PROPORTIONING VALVE
BW AD-9SI BRAKE LINE AIR DRYER WITH
HEATER
AIR DRYER MOUNTED UNDER HOOD
STEEL AIR TANKS MOUNTED AFT INSIDE
AND/OR BELOW FRAME JUST FORWARD OF
REAR SUSPENSION, NO TRIPLE OR TORPEDO
TANKS
CLEAR FRAME RAILS 48 INCHES FROM BACK
OF CAB INSIDE/OUTBOARD AND BELOW BOTH
FRAME RAILS
PULL CABLES ON ALL AIR RESERVOIR(S)

Trailer Connections

UPGRADED CHASSIS MULTIPLEXING UNIT
UPGRADED BULKHEAD MULTIPLEXING UNIT

Wheelbase & Frame

6300MM (248 INCH) WHEELBASE
7/16X3-9/16X11-1/8 INCH STEEL FRAME
(11.11MMX282.6MM/0.437X11.13 INCH) 120KSI
2250MM (89 INCH) REAR FRAME OVERHANG
FRAME OVERHANG RANGE: 81 INCH TO 90
INCH
CALC'D BACK OF CAB TO REAR SUSP C/L (CA) :
182.45 in
CALCULATED EFFECTIVE BACK OF CAB TO
REAR SUSPENSION C/L (CA) : 179.45 in
CALC'D FRAME LENGTH - OVERALL : 366.39
CALC'D SPACE AVAILABLE FOR DECKPLATE :
182.45 in
CALCULATED FRAME SPACE LH SIDE : 179.6 in
CALCULATED FRAME SPACE RH SIDE : 153.45
in
SQUARE END OF FRAME
FRONT CLOSING CROSSMEMBER
LIGHTWEIGHT HEAVY DUTY ALUMINUM ENGINE
CROSSMEMBER
STANDARD MIDSHIP #1 CROSSMEMBER(S)



Prepared for:
Alexis Fire MY2017
109 East Broadway St
Alexis, IL 61412
Phone: 309-482-3431

Prepared by:
Duane Schaefer
TRANSCHICAGO TRUCK
GROUP
776 N. YORK ROAD
ELMHURST, IL 60126
Phone: 630-279-0600 ext 609
E-Mail:
duaneschaefer@transchicago.com

Description

5/16 INCH STEEL CROSSMEMBER WITHOUT A-FRAME, NON-TOWING
HEAVY DUTY SUSPENSION CROSSMEMBER

Chassis Equipment

THREE-PIECE 14 INCH CHROME STEEL BUMPER WITH COLLAPSIBLE ENDS AND LH WING CUTOUT FOR FEDERAL MS100/ES100/ES100C SPEAKER
FRONT TOW HOOKS - FRAME MOUNTED
BUMPER MOUNTING FOR SINGLE LICENSE PLATE
FENDER AND FRONT OF HOOD MOUNTED FRONT MUDFLAPS
GRADE 8 THREADED HEX HEADED FRAME FASTENERS
D15-16004-000 CENTER PUNCH TO MARK CENTERLINE OF REAR SUSPENSION ON FRAME WEB
DRILLING PREP FOR CUSTOMER INSTALLED BODY/EQUIPMENT
TANK BODY 1501 TO 3000 GALLONS

Fuel Tanks

50 GALLON/189 LITER SHORT RECTANGULAR ALUMINUM FUEL TANK - LH
RECTANGULAR FUEL TANK(S)
POLISHING OF FUEL/HYDRAULIC TANK(S) WITH PAINTED BANDS
FUEL TANK(S) FORWARD
POLISHED STAINLESS STEEL STEP FINISH
FUEL TANK CAP(S)
ALLIANCE FUEL FILTER/WATER SEPARATOR WITH HEATED BOWL
EQUIFLO INBOARD FUEL SYSTEM
HIGH TEMPERATURE REINFORCED NYLON FUEL LINE

Tires

MICHELIN XZY-3 315/80R22.5 20 PLY RADIAL FRONT TIRES
MICHELIN XDE M/S 11R22.5 14 PLY RADIAL REAR TIRES

Hubs

Application Version 8.8.008
Data Version PRL-10M.029
AFE Demo M2 TA 56K Reg Cab ALL
ALUM



10/01/2015 9:31 AM

Page 9 of 20

Prepared for:
Alexis Fire MY2017
109 East Broadway St
Alexis, IL 61412
Phone: 309-482-3431

Prepared by:
Duane Schaefer
TRANSCHICAGO TRUCK
GROUP
776 N. YORK ROAD
ELMHURST, IL 60126
Phone: 630-279-0600 ext 609
E-Mail:
duaneschaefer@transchicago.com

Description

CONMET PRESET PLUS IRON FRONT HUBS
CONMET PRESET PLUS IRON REAR HUBS

Wheels

ALCOA 89465X 22.5X9.00 10-HUB PILOT 5.96
INSET ALUMINUM DISC FRONT WHEELS
ALCOA LVL ONE 88367X 22.5X8.25 10-HUB
PILOT ALUMINUM DISC REAR WHEELS
POLISHED FRONT WHEELS; OUTSIDE ONLY
POLISHED REAR WHEELS; OUTSIDE OF OUTER
WHEELS ONLY
FRONT WHEEL MOUNTING NUTS
REAR WHEEL MOUNTING NUTS

Cab Exterior

106 INCH BBC FLAT ROOF ALUMINUM
CONVENTIONAL CAB
AIR CAB MOUNTS
LH AND RH EXTERIOR GRAB HANDLES WITH
SINGLE RUBBER INSERT
HOOD MOUNTED CHROMED PLASTIC GRILLE
CHROME HOOD MOUNTED AIR INTAKE GRILLE
FIBERGLASS HOOD
DUAL 25 INCH ROUND STUTTER TONE HOOD
MOUNTED AIR HORNS
SINGLE ELECTRIC HORN
DUAL HORN SHIELDS
DOOR LOCKS AND IGNITION SWITCH KEYED
THE SAME
REAR LICENSE PLATE MOUNT END OF FRAME
INTEGRAL HEADLIGHT/MARKER ASSEMBLY
WITH CHROME BEZEL
LED AERODYNAMIC MARKER LIGHTS
OMIT STOP/TAIL/BACKUP LIGHTS AND PROVIDE
WIRING WITH SEPARATE STOP/TAIL WIRES TO
7 FEET BEYOND END OF FRAME
STANDARD FRONT TURN SIGNAL LAMPS
DUAL WEST COAST BRIGHT FINISH HEATED
MIRRORS WITH LH AND RH REMOTE
DOOR MOUNTED MIRRORS
102 INCH EQUIPMENT WIDTH



Prepared for:
Alexis Fire MY2017
109 East Broadway St
Alexis, IL 61412
Phone: 309-482-3431

Prepared by:
Duane Schaefer
TRANSCHICAGO TRUCK
GROUP
776 N. YORK ROAD
ELMHURST, IL 60126
Phone: 630-279-0600 ext 609
E-Mail:
duaneschaefer@transchicago.com

Description

LH AND RH 8 INCH BRIGHT FINISH CONVEX
MIRRORS MOUNTED UNDER PRIMARY
MIRRORS
STANDARD SIDE/REAR REFLECTORS
63X14 INCH TINTED REAR WINDOW
TINTED DOOR GLASS LH AND RH WITH TINTED
NON-OPERATING WING WINDOWS
MANUAL DOOR WINDOW REGULATORS
TINTED WINDSHIELD
2 GALLON WINDSHIELD WASHER RESERVOIR
WITHOUT FLUID LEVEL INDICATOR, FRAME
MOUNTED

Cab Interior

OPAL GRAY VINYL INTERIOR
MOLDED PLASTIC DOOR PANEL
MOLDED PLASTIC DOOR PANEL
BLACK MATS WITH SINGLE INSULATION
DASH MOUNTED ASH TRAYS AND LIGHTER
FORWARD ROOF MOUNTED CONSOLE WITH
UPPER STORAGE COMPARTMENTS WITHOUT
NETTING
IN DASH STORAGE BIN
(2) CUP HOLDERS LH AND RH DASH
GRAY/CHARCOAL FLAT DASH
SMART SWITCH EXPANSION MODULE
HEATER, DEFROSTER AND AIR CONDITIONER
STANDARD HVAC DUCTING
MAIN HVAC CONTROLS WITH RECIRCULATION
SWITCH
STANDARD HEATER PLUMBING
DENSO HEAVY DUTY AIR CONDITIONER
COMPRESSOR
BINARY CONTROL, R-134A
STANDARD INSULATION
SOLID-STATE CIRCUIT PROTECTION AND
FUSES
12V NEGATIVE GROUND ELECTRICAL SYSTEM
DOME LIGHT WITH 3-WAY SWITCH ACTIVATED
BY LH AND RH DOORS



Prepared for:
Alexis Fire MY2017
109 East Broadway St
Alexis, IL 61412
Phone: 309-482-3431

Prepared by:
Duane Schaefer
TRANSCHICAGO TRUCK
GROUP
776 N. YORK ROAD
ELMHURST, IL 60126
Phone: 630-279-0600 ext 609
E-Mail:
duaneschaefer@transchicago.com

Description

CAB DOOR LATCHES WITH MANUAL DOOR
LOCKS

(1) 12 VOLT POWER SUPPLY IN DASH

SEATS INC 911 UNIVERSAL SERIES HIGH BACK
AIR SUSPENSION DRIVER SEAT WITH NFPA
1901-2009 COMPLIANT SEAT SENSOR

SEATS INC 911 UNIVERSAL SERIES HIGH BACK
AIR SUSPENSION PASSENGER SEAT WITH
NFPA 1901-2009 COMPLIANT SEAT SENSOR

LH AND RH INTEGRAL DOOR PANEL ARMRESTS

GRAY VINYL DRIVER SEAT COVER WITH GRAY
CORDURA CLOTH BOLSTER AND HEADREST

GRAY VINYL FRONT PASSENGER SEAT COVER
WITH GRAY CORDURA CLOTH BOLSTER AND
HEADREST

3 POINT HIGH VISIBILITY ORANGE RETRACTOR
DRIVER AND RH FRONT PASSENGER SEAT
BELTS WITH NFPA 1901-2009 COMPLIANT
SENSOR AND DASH HARNESS

ADJUSTABLE TILT AND TELESCOPING
STEERING COLUMN

4-SPOKE 18 INCH (450MM) STEERING WHEEL

DRIVER AND PASSENGER INTERIOR SUN
VISORS

Instruments & Controls

GRAY DRIVER INSTRUMENT PANEL
GRAY CENTER INSTRUMENT PANEL
BLACK GAUGE BEZELS
LOW AIR PRESSURE INDICATOR LIGHT AND
AUDIBLE ALARM
2 INCH PRIMARY AND SECONDARY AIR
PRESSURE GAUGES
INTAKE MOUNTED AIR RESTRICTION
INDICATOR WITHOUT GRADUATIONS
ELECTRONIC CRUISE CONTROL WITH
SWITCHES IN LH SWITCH PANEL
KEY OPERATED IGNITION SWITCH AND
INTEGRAL START POSITION; 4 POSITION
OFF/RUN/START/ACCESSORY
ICU3S, 132X48 DISPLAY WITH DIAGNOSTICS, 28
LED WARNING LAMPS AND DATA LINKED
DIAGNOSTIC INTERFACE CONNECTOR, 9 PIN,
SAE J1939, LOCATED BELOW DASH



Prepared for:
Alexis Fire MY2017
109 East Broadway St
Alexis, IL 61412
Phone: 309-482-3431

Prepared by:
Duane Schaefer
TRANSCHICAGO TRUCK
GROUP
776 N. YORK ROAD
ELMHURST, IL 60126
Phone: 630-279-0600 ext 609
E-Mail:
duaneschaefer@transchicago.com

Description

2 INCH ELECTRIC FUEL GAUGE
ENGINE REMOTE INTERFACE NOT
CONFIGURED
ENGINE REMOTE INTERFACE CONNECTOR AT
BACK OF CAB
ELECTRICAL ENGINE COOLANT TEMPERATURE
GAUGE
2 INCH TRANSMISSION OIL TEMPERATURE
GAUGE
ENGINE AND TRIP HOUR METERS INTEGRAL
WITHIN DRIVER DISPLAY
NO OBSTACLE DETECTION SYSTEM
NO CAMERA/VIDEO/IMAGING SYSTEM
ENHANCED STABILITY CONTROL
NO LANE DEPARTURE WARNING SYSTEM
ELECTRIC ENGINE OIL PRESSURE GAUGE
AM/FM RADIO WITH FRONT AND REAR
AUXILIARY INPUTS AND J1939
DASH MOUNTED RADIO
(2) RADIO SPEAKERS IN CAB
AM/FM ANTENNA MOUNTED ON FORWARD LH
ROOF
ELECTRONIC MPH SPEEDOMETER WITH
SECONDARY KPH SCALE, WITHOUT
ODOMETER
STANDARD VEHICLE SPEED SENSOR
ELECTRONIC 3000 RPM TACHOMETER
NFPA VEHICLE DATA RECORDER AND
SEATBELT DISPLAY
IDLE LIMITER, ELECTRONIC ENGINE
(2) OVERHEAD MOUNTED LANYARD
CONTROLS: (1) OFFICER AIR HORN AND (1)
DRIVER AIR HORN
DIGITAL VOLTAGE DISPLAY INTEGRAL WITH
DRIVER DISPLAY
SINGLE ELECTRIC WINDSHIELD WIPER MOTOR
WITH DELAY
MARKER LIGHT SWITCH INTEGRAL WITH
HEADLIGHT SWITCH
ONE VALVE PARKING BRAKE SYSTEM WITH
WARNING INDICATOR



Prepared for:
Alexis Fire MY2017
109 East Broadway St
Alexis, IL 61412
Phone: 309-482-3431

Prepared by:
Duane Schaefer
TRANSCHICAGO TRUCK
GROUP
776 N. YORK ROAD
ELMHURST, IL 60126
Phone: 630-279-0600 ext 609
E-Mail:
duaneschaefer@transchicago.com

Description

SELF CANCELING TURN SIGNAL SWITCH WITH
DIMMER, WASHER/WIPER AND HAZARD IN
HANDLE

INTEGRAL ELECTRONIC TURN SIGNAL
FLASHER WITH HAZARD LAMPS OVERRIDING
STOP LAMPS

Design

PAINT: ONE SOLID COLOR

Color

CAB COLOR A: L3781EB VIPER RED ELITE BC
BLACK, HIGH SOLIDS POLYURETHANE CHASSIS
PAINT
NO UNDERCOAT

Certification / Compliance

U.S. FMVSS CERTIFICATION, EXCEPT SALES
CABS AND GLIDER KITS

Secondary Factory Options

CORPORATE PDI CENTER IN-SERVICE AND
OPTION INSTALLATION/MODIFICATION
JACKSHAFT ASSEMBLIES ARE FOR
TEMPORARY USE AND SHOULD ONLY BE USED
FOR SHIPPING TO THE CUSTOMER/BODY
BUILDER

Extended Warranty

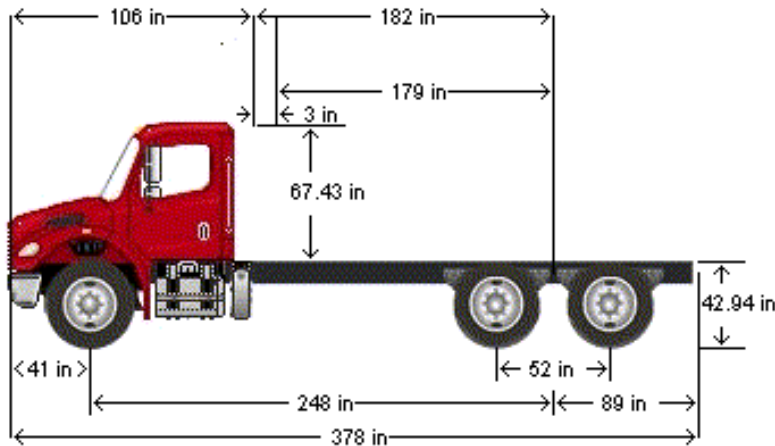
TOWING EXTENDED/ROADSIDE SERVICE WARRANTY, 6
MONTHS/UNLIMITED MILES/KM, \$550 CAP



Prepared for:
 Alexis Fire MY2017
 109 East Broadway St
 Alexis, IL 61412
 Phone: 309-482-3431

Prepared by:
 Duane Schaefer
 TRANSCHICAGO TRUCK
 GROUP
 776 N. YORK ROAD
 ELMHURST, IL 60126
 Phone: 630-279-0600 ext 609
 E-Mail:
 duaneschaefer@transchicago.com

D I M E N S I O N S



VEHICLE SPECIFICATIONS SUMMARY - DIMENSIONS

Model	M2106
Wheelbase (545)	6300MM (248 INCH) WHEELBASE
Rear Frame Overhang (552)	2250MM (89 INCH) REAR FRAME OVERHANG
Fifth Wheel (578)	NO FIFTH WHEEL
Mounting Location (577)	NO FIFTH WHEEL LOCATION
Maximum Forward Position (in)	0
Maximum Rearward Position (in)	0
Amount of Slide Travel (in)	0
Slide Increment (in)	0
Desired Slide Position (in)	0.0
Cab Size (829)	106 INCH BBC FLAT ROOF ALUMINUM CONVENTIONAL CAB
Sleeper (682)	NO SLEEPER BOX/SLEEPERCAB
Exhaust System (016)	RH OUTBOARD UNDER STEP MOUNTED HORIZONTAL AFTERTREATMENT SYSTEM ASSEMBLY WITH RH HORIZONTAL TAILPIPE EXITING FORWARD OF REAR TIRES



Prepared for:
 Alexis Fire MY2017
 109 East Broadway St
 Alexis, IL 61412
 Phone: 309-482-3431

Prepared by:
 Duane Schaefer
 TRANSCHICAGO TRUCK
 GROUP
 776 N. YORK ROAD
 ELMHURST, IL 60126
 Phone: 630-279-0600 ext 609
 E-Mail:
 duaneschaefer@transchicago.com

TABLE SUMMARY - DIMENSIONS

Dimensions	Inches
Bumper to Back of Cab (BBC)	106.3
Bumper to Centerline of Front Axle (BA)	40.7
Min. Cab to Body Clearance (CB)	3.0
Back of Cab to Centerline of Rear Axle(s) (CA)	182.4
Effective Back of Cab to Centerline of Rear Axle(s) (Effective CA)	179.4
Back of Cab Protrusions (Exhaust/Intake) (CP)	0.0
Back of Cab Protrusions (Side Extenders/Trim Tab) (CP)	0.0
Back of Cab Protrusions (CNG Tank)	0.0
Back of Cab Clearance (CL)	3.0
Back of Cab to End of Frame	271.4
Cab Height (CH)	67.4
Wheelbase (WB)	248.0
Frame Overhang (OH)	89.0
Overall Length (OAL)	377.7
Rear Axle Spacing	52.0
Unladen Frame Height at Centerline of Rear Axle	42.9

Performance calculations are estimates only. If performance calculations are critical, please contact Customer Application Engineering.



Prepared for:
Alexis Fire MY2017
109 East Broadway St
Alexis, IL 61412
Phone: 309-482-3431

Prepared by:
Duane Schaefer
TRANSCHICAGO TRUCK
GROUP
776 N. YORK ROAD
ELMHURST, IL 60126
Phone: 630-279-0600 ext 609
E-Mail:
duaneschaefer@transchicago.com

G V W R

VEHICLE SPECIFICATIONS SUMMARY - GVWR

Model M2106
Cab Size (829)..... 106 INCH BBC FLAT ROOF ALUMINUM CONVENTIONAL CAB
Expected Front Axle(s) Load (lbs)..... 16000.0
Expected Pusher Axle(s) Load (lbs)..... 0.0
Expected Rear Axle(s) Load (lbs)..... 40000.0
Expected Tag Axle(s) Load (lbs)..... 0.0
Expected GVW (lbs) 56000
Expected GCW (lbs) 0.0
Front Axle (400)..... DETROIT DA-F-16.0-5 16,000# FL1 71.0 KPI/3.74 DROP SINGLE FRONT AXLE
Front Suspension (620) 16,000# FLAT LEAF FRONT SUSPENSION
Front Hubs (418) CONMET PRESET PLUS IRON FRONT HUBS
Front Disc Wheels (502) ALCOA 89465X 22.5X9.00 10-HUB PILOT 5.96 INSET ALUMINUM DISC FRONT WHEELS
Front Tires (093)..... MICHELIN XZY-3 315/80R22.5 20 PLY RADIAL FRONT TIRES
Front Brakes (402)..... MERITOR 16.5X6 Q+ CAST SPIDER CAM FRONT BRAKES, DOUBLE ANCHOR, FABRICATED SHOES
Steering Gear (536)..... TRW TAS-85 POWER STEERING
Rear Axle (420) MT-40-14X 40,000# R-SERIES TANDEM REAR AXLE
Rear Suspension (622)..... 40,000# 4-SPRING FLAT LEAF REAR SUSPENSION
Rear Hubs (450)..... CONMET PRESET PLUS IRON REAR HUBS
Rear Disc Wheels (505)..... ALCOA LVL ONE 88367X 22.5X8.25 10-HUB PILOT ALUMINUM DISC REAR WHEELS
Rear Tires (094) MICHELIN XDE M/S 11R22.5 14 PLY RADIAL REAR TIRES
Rear Brakes (423)MERITOR 16.5X7 Q+ CAST SPIDER CAM REAR BRAKES, DOUBLE ANCHOR, FABRICATED SHOES
Pusher / Tag Axle (443)..... NO PUSHER OR TAG AXLE
Pusher / Tag Suspension (626) NO PUSHER OR TAG SUSPENSION
Pusher / Tag Hubs (449).....NO PUSHER OR TAG HUBS
Pusher/Tag Disc Wheels (509)NO PUSHER/TAG DISC WHEELS
Pusher / Tag Tires (095)..... NO PUSHER/TAG TIRES
Pusher / Tag Brakes (456)..... NO PUSHER/TAG BRAKES



Prepared for:
 Alexis Fire MY2017
 109 East Broadway St
 Alexis, IL 61412
 Phone: 309-482-3431

Prepared by:
 Duane Schaefer
 TRANSCHICAGO TRUCK
 GROUP
 776 N. YORK ROAD
 ELMHURST, IL 60126
 Phone: 630-279-0600 ext 609
 E-Mail:
 duaneschaefer@transchicago.com

TABLE SUMMARY - GVWR

	Front	Rear 1	Rear 2
Axle Component Weight Ratings			
Axles	16000	20000	20000
Suspension	16000	20000	20000
Hubs	23000	26000	26000
Brakes	20000	24999	24999
Wheels	20000	29600	29600
Tires	18180	23360	23360
Power Steering	18000	N/A	N/A
GAWR (per axle)	16000	20000	20000
GAWR (per axle system)	16000		40000
Expected Load (per axle system)	16000		40000
Vehicle GVWR Summary			
Calculated GVWR	56000		
Expected GVWR	56000		
All weights displayed in pounds			

Performance calculations are estimates only. If performance calculations are critical, please contact Customer Application Engineering.



Prepared for:
 Alexis Fire MY2017
 109 East Broadway St
 Alexis, IL 61412
 Phone: 309-482-3431

Prepared by:
 Duane Schaefer
 TRANSCHICAGO TRUCK
 GROUP
 776 N. YORK ROAD
 ELMHURST, IL 60126
 Phone: 630-279-0600 ext 609
 E-Mail:
 duaneschaefer@transchicago.com

F R A M E R B M

VEHICLE SPECIFICATIONS SUMMARY - FRAME RBM

Wheelbase (545)6300MM (248 INCH) WHEELBASE
 Frame Rails (546)..... 7/16X3-9/16X11-1/8 INCH STEEL FRAME (11.11MMX282.6MM/0.437X11.13 INCH) 120KSI(546)
 Yield Strength (psi) 120000
 Section Modulus (per rail) (cu in)21.6
 RBM (per rail) (lbf-in) 2590000
 Inner Frame Reinforcement (547) NO INNER FRAME REINFORCEMENT
 Outer Frame Reinforcement (548) NO OUTER FRAME REINFORCEMENT

TABLE SUMMARY - FRAME RBM

Item	Description / Value
Wheelbase	6300MM (248 INCH) WHEELBASE
Frame	7/16X3-9/16X11-1/8 INCH STEEL FRAME (11.11MMX282.6MM/0.437X11.13 INCH) 120KSI
Inner Frame Reinforcement	NO INNER FRAME REINFORCEMENT
Outer Frame Reinforcement	NO OUTER FRAME REINFORCEMENT
Yield Strength (psi)	120000
Section Modulus - per rail (cu. in.)	21.60
Frame RBM - per rail (lbf-in)	2592000

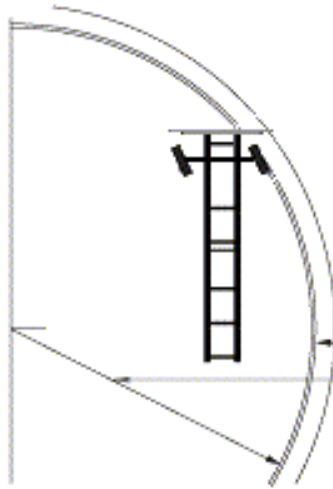
Performance calculations are estimates only. If performance calculations are critical, please contact Customer Application Engineering.



Prepared for:
 Alexis Fire MY2017
 109 East Broadway St
 Alexis, IL 61412
 Phone: 309-482-3431

Prepared by:
 Duane Schaefer
 TRANSCHICAGO TRUCK
 GROUP
 776 N. YORK ROAD
 ELMHURST, IL 60126
 Phone: 630-279-0600 ext 609
 E-Mail:
 duaneschaefer@transchicago.com

TURNING RADIUS



	Left Turn	Right Turn	Tolerance
Wall to Wall Diameter (ft)	74.6	65.8	+/- 3.0
Curb to Curb Diameter (ft)	73.3	64.2	+/- 3.0
Turning Radius (ft)	36.1	31.6	+/- 1.5

VEHICLE SPECIFICATIONS SUMMARY - TURNING RADIUS

Model M2106
 Cab Size (829)..... 106 INCH BBC FLAT ROOF ALUMINUM CONVENTIONAL CAB
 Wheelbase (545)6300MM (248 INCH) WHEELBASE
 Front Tires (093)..... MICHELIN XZY-3 315/80R22.5 20 PLY RADIAL FRONT TIRES
 Width (in) 13.6
 Front Axle (400)..... DETROIT DA-F-16.0-5 16,000# FL1 71.0 KPI/3.74 DROP SINGLE FRONT AXLE
 Kingpin Intersection (in) 71
 Bumper (556) THREE-PIECE 14 INCH CHROME STEEL BUMPER WITH COLLAPSIBLE ENDS AND LH WING CUTOUT FOR FEDERAL MS100/ES100/ES100C SPEAKER
 Width (in) 92.5
 Bumper Miter to Front Axle (in) 21.458
 Primary Steering Location (003) LH PRIMARY STEERING LOCATION
 Steering Gear (536) TRW TAS-85 POWER STEERING
 Dual Steering Gear NONE
 Ram RIGHT
 Rear Axle (420) MT-40-14X 40,000# R-SERIES TANDEM REAR AXLE
 Axle Spacing (624)52 INCH AXLE SPACING

Performance calculations are estimates only. If performance calculations are critical, please contact Customer Application Engineering.

