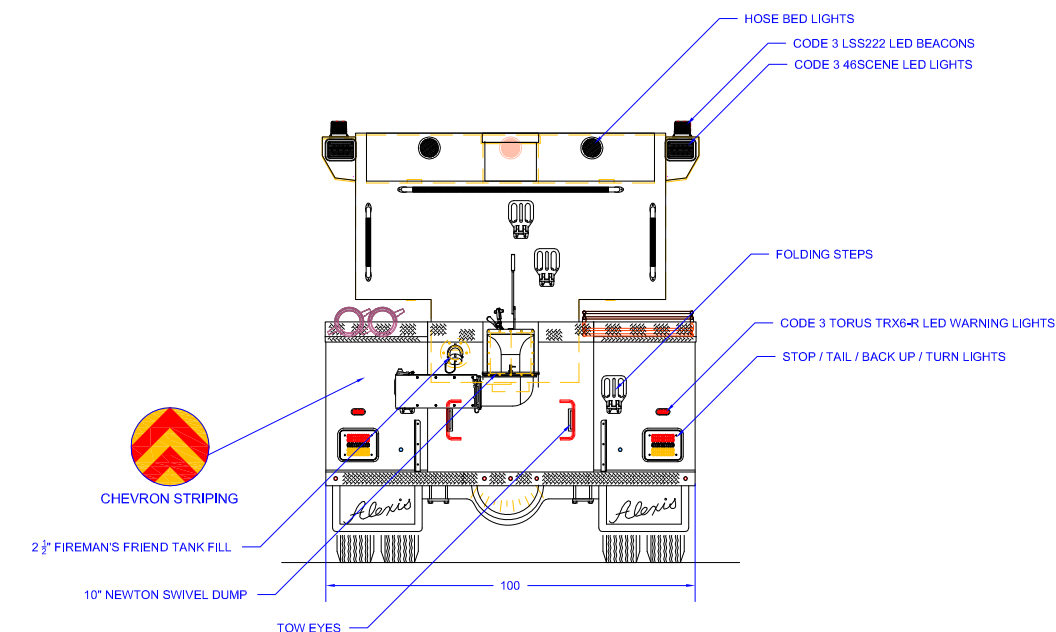
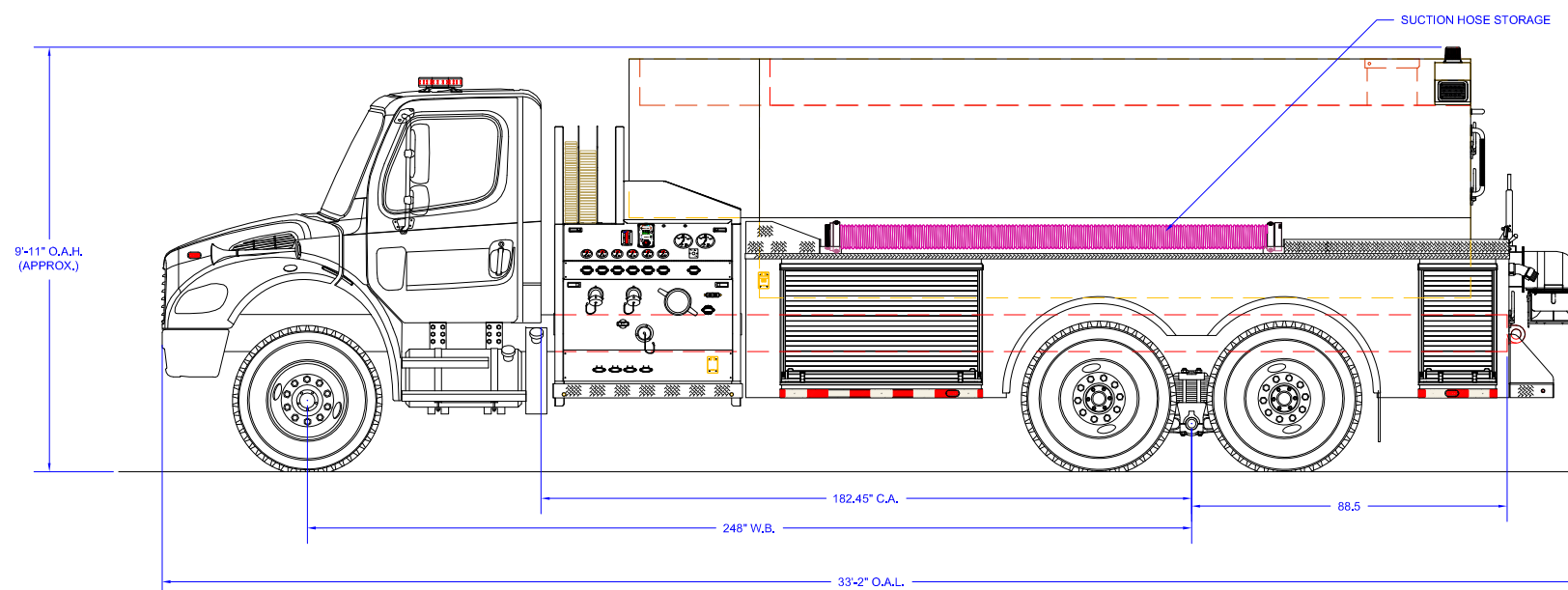
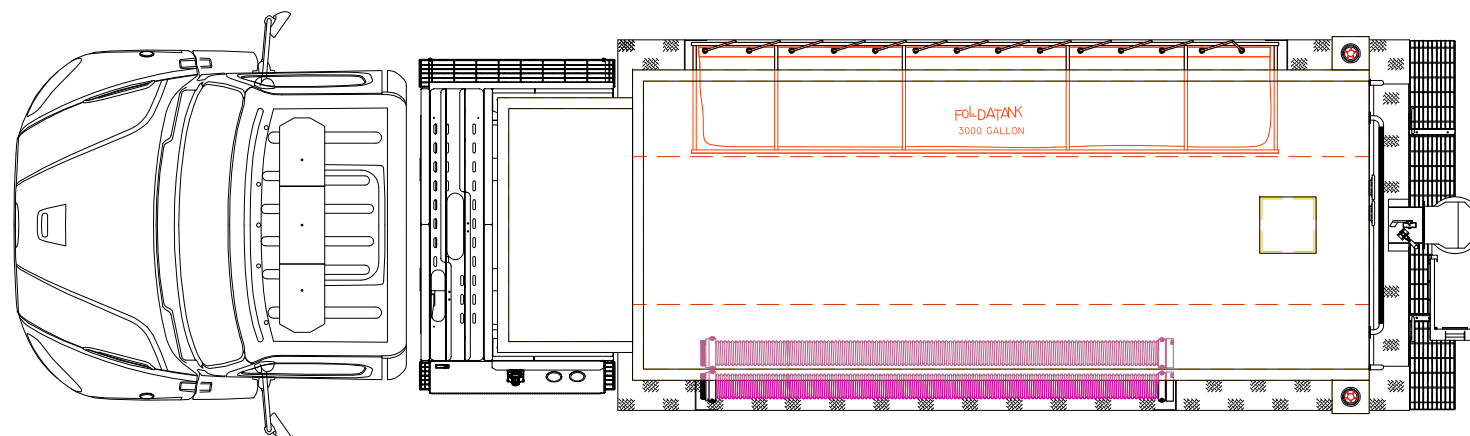
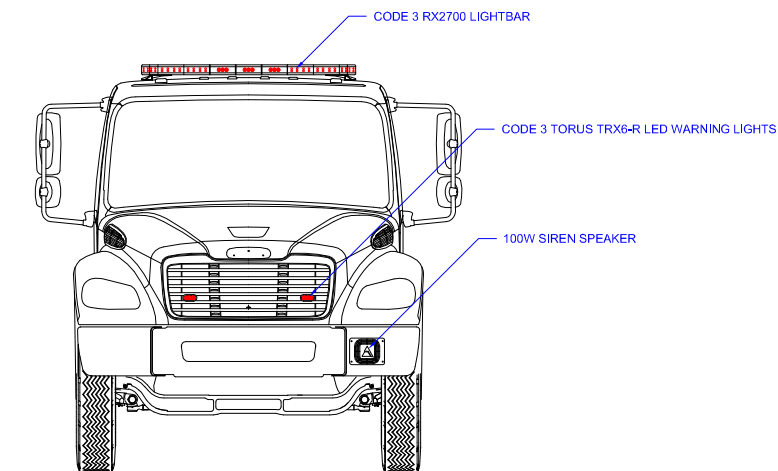
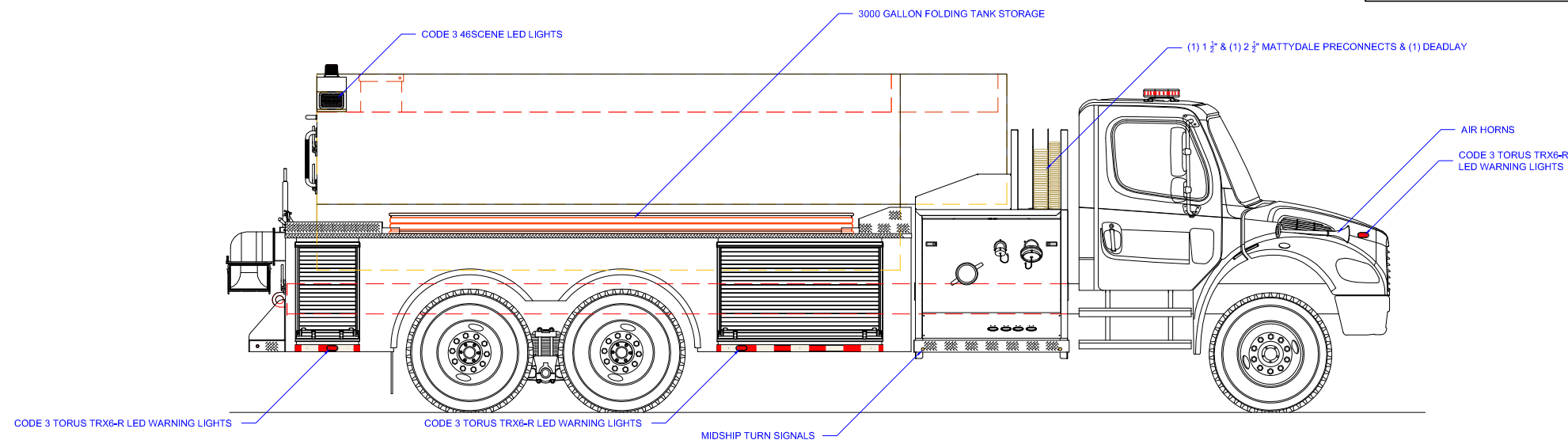


CUSTOMER APPROVAL SIGNATURE:

DATE:

AFE-2279

IN THE EVENT THERE ARE DISCREPANCIES BETWEEN THE DRAWING AND THE SPECIFICATIONS, THE SPECIFICATIONS SHALL PREVAIL.



REVISION HISTORY			
REV	DESCRIPTION	DATE	DWN
01	SALES UPDATES	9/10/15	MLT

Pump Info:	
Control Location: Under Tank	Apparatus Type: Tanker
Pump Drive: PTO	Chassis: Freightliner 2-Door
Pump Make: Darley	Tank Capacity: 3000
Pump Model: PSM	
Pump GPM: 1250	Material: Stainless Steel

COMPARTMENT DIMENSIONS

COMP #	DOOR OPENING SIZES
L1 & R1	54" WIDE X 27" HIGH X 26" DEEP
L2 & R2	19" WIDE X 27" HIGH X 26" DEEP

UNLESS OTHERWISE SPECIFIED DIMENSIONS ARE IN INCHES TOLERANCES ARE NOT CUMULATIVE

DECIMAL ± 0.062 ANGULAR ± 0.5° FRACTIONAL ± 1/16 METRIC ± 1.6 mm

The copyright of this drawing and design and the right of reproduction there is vested in and belongs to Alexis Fire Equipment Co.

DRAWN: M.TINKHAM 8/27/15

Alexis FIRE EQUIPMENT CO.
P.O. BOX 549, ALEXIS, ILLINOIS 61412

WETSIDE TANKER
ALEXIS FIRE EQUIPMENT
ALEXIS, ILLINOIS

DWG NO: **TP-A01**

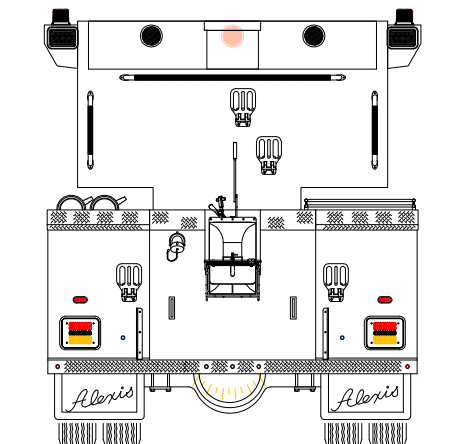
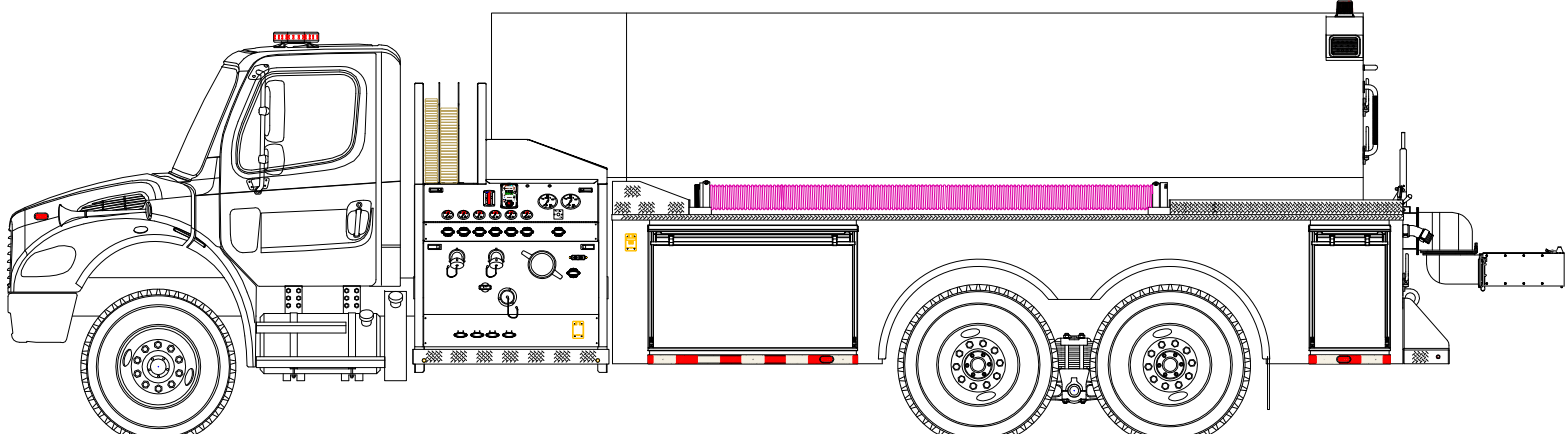
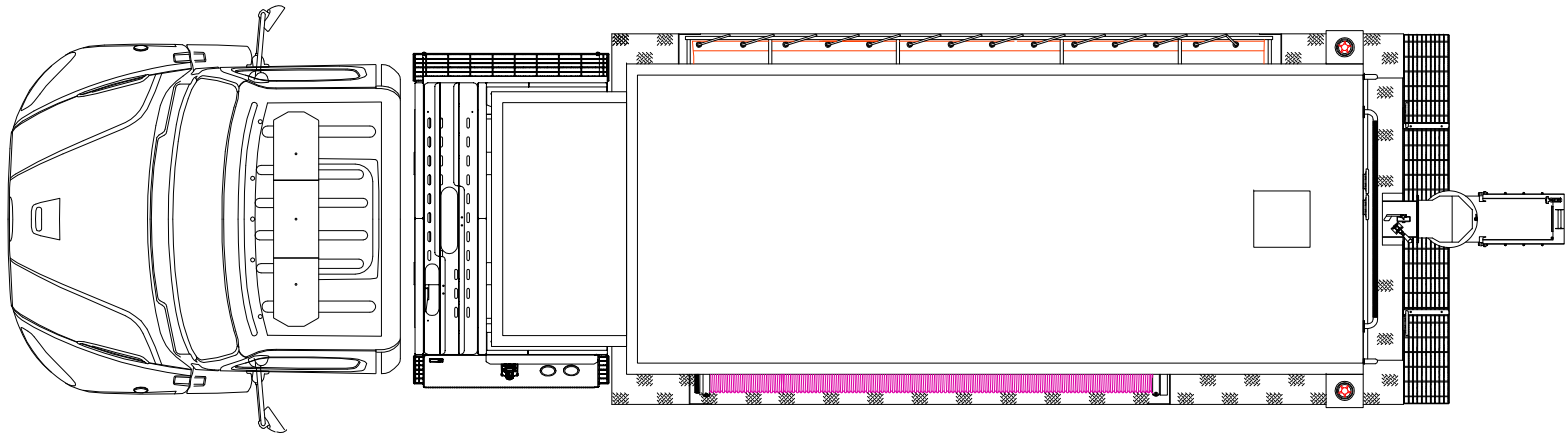
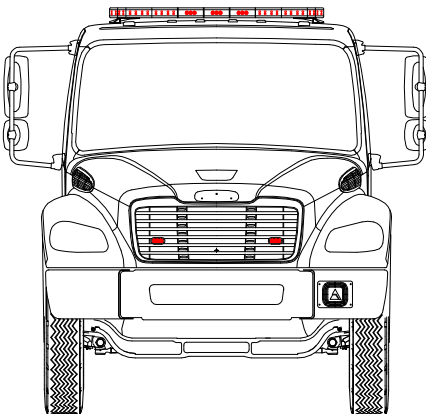
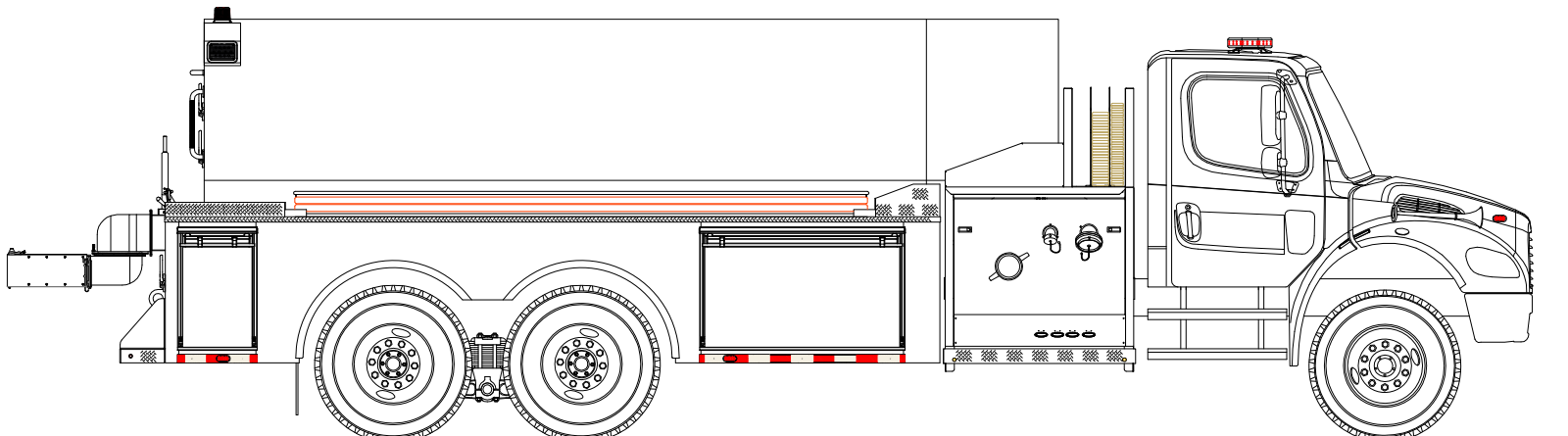
CONTRACT #: 2283 SHEET 1 OF 2

8 7 6 5 4 3 2 1

CUSTOMER APPROVAL SIGNATURE:

DATE:

AFE-2279
 IN THE EVENT THERE ARE DISCREPANCIES BETWEEN THE DRAWING AND THE SPECIFICATIONS, THE SPECIFICATIONS SHALL PREVAIL.



D
C
B
A

D
C
B
A

REVISION HISTORY				
REV	DESCRIPTION	DATE	DWN	
01	SALES UPDATES	9/10/15	MLT	

Pump Info:		Apparatus Type: Tanker
Control Location: Under Tank	Pump Drive: PTO	Chassis: Freightliner 2-Door
Pump Make: Darley	Pump Model: PSM	Tank Capacity: 3000
Pump GPM: 1250		Material: Stainless Steel

COMPARTMENT DIMENSIONS	
COMP #	DOOR OPENING SIZES
L1 & R1	54" WIDE X 27" HIGH X 26" DEEP
L2 & R2	19" WIDE X 27" HIGH X 26" DEEP

UNLESS OTHERWISE SPECIFIED
 DIMENSIONS ARE IN INCHES
 TOLERANCES ARE NOT CUMULATIVE
 DECIMAL ± 0.062 ANGULAR ± 0.5°
 FRACTIONAL ± 1/16 METRIC ± 1.6 mm

The copyright of this drawing and design
 and the right of reproduction there is vested
 in and belongs to Alexis Fire Equipment Co.

DRAWN: M.TINKHAM
 DATE: 8/27/15

Alexis FIRE EQUIPMENT CO.
 P.O. BOX 549, ALEXIS, ILLINOIS 61412

WETSID TANKER
 ALEXIS FIRE EQUIPMENT
 ALEXIS, ILLINOIS

DWG NO: **TP-A01**

CONTRACT # 2283 SHEET 2 OF 2

8 7 6 5 4 3 2 1