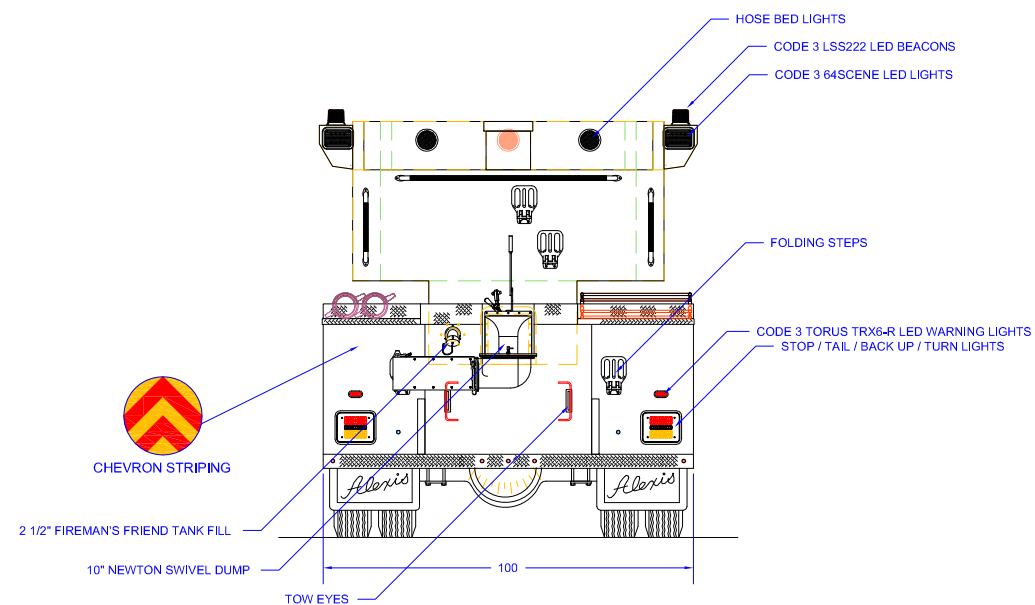
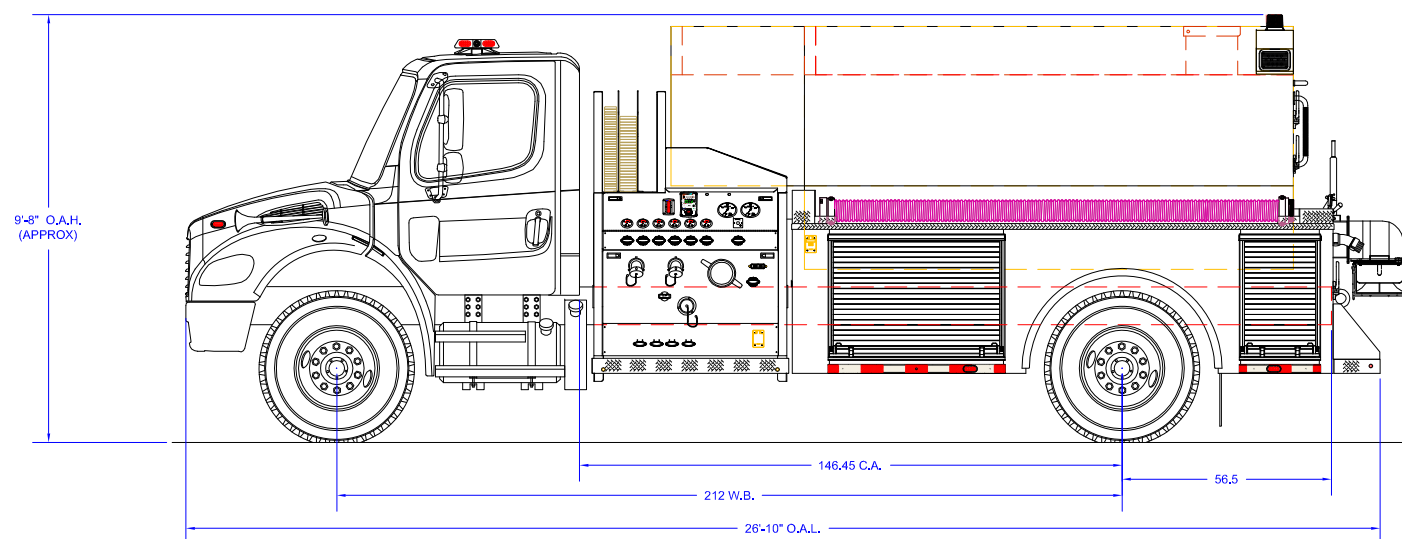
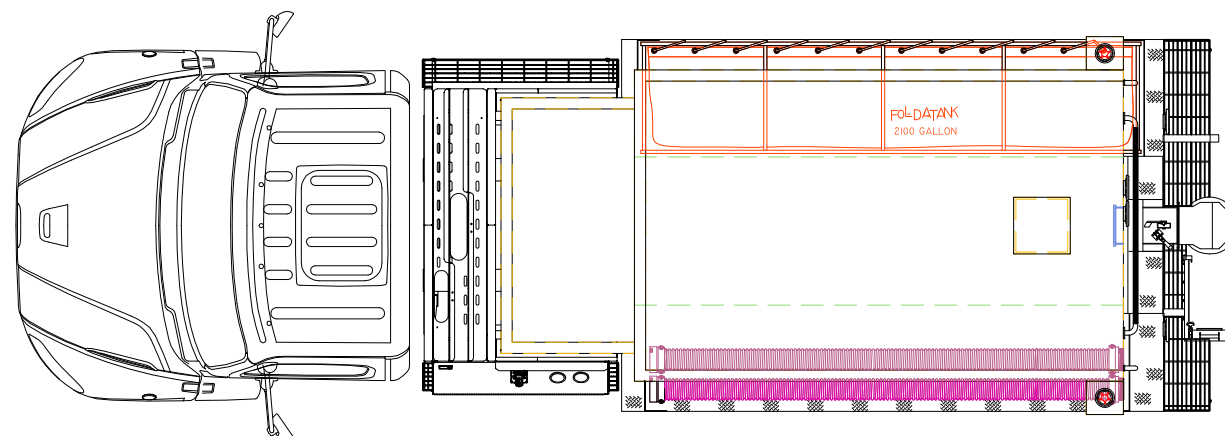
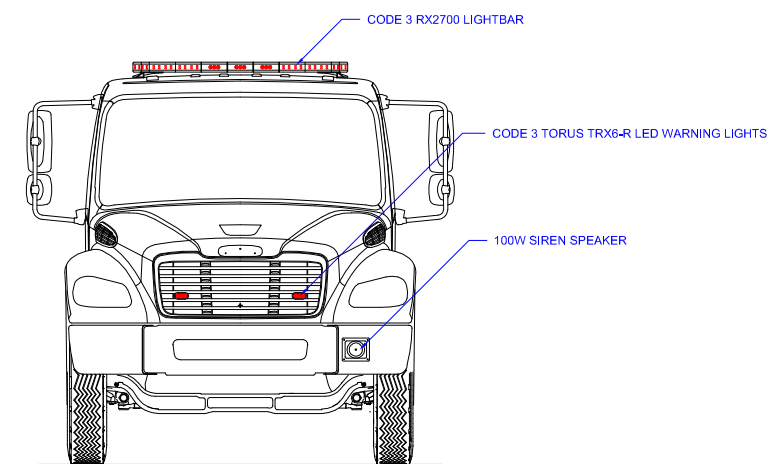
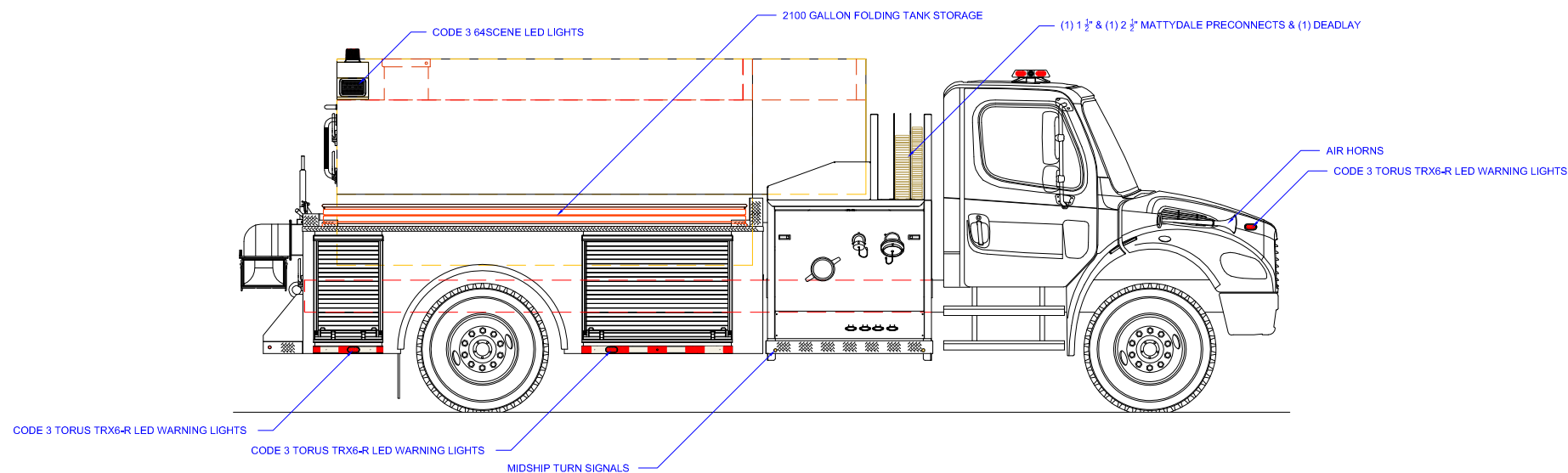


CUSTOMER APPROVAL SIGNATURE: \_\_\_\_\_ DATE: \_\_\_\_\_

**AFE-2278**  
 IN THE EVENT THERE ARE DISCREPANCIES BETWEEN THE DRAWING AND THE SPECIFICATIONS, THE SPECIFICATIONS SHALL PREVAIL.



REVISION HISTORY			
REV	DESCRIPTION	DATE	DWN

<b>Pump Info:</b>	Control Location: Under Tank	Apparatus Type: Tanker
	Pump Drive: Split Shaft	Chassis: Freightliner 2-Door
	Pump Make: Darley	Tank Capacity: 2000
	Pump Model: PSM	
	Pump GPM: 1250	Material: Stainless Steel

COMPARTMENT DIMENSIONS	
COMP #	DOOR OPENING SIZES
L1	45" WIDE X 27" HIGH X 26" DEEP
R1 & R2	19" WIDE X 27" HIGH X 26" DEEP

UNLESS OTHERWISE SPECIFIED DIMENSIONS ARE IN INCHES TOLERANCES ARE NOT CUMULATIVE  
 DECIMAL ± 0.062 ANGULAR ± 0.5° FRACTIONAL ± 1/16 METRIC ± 1.6 mm

**Alexis FIRE EQUIPMENT CO.**  
 P.O. BOX 549, ALEXIS, ILLINOIS 61412

**2000 GAL. WETSIDE TANKER**  
 ALEXIS FIRE EQUIPMENT  
 ALEXIS, IL

The copyright of this drawing and design and the right of reproduction there is vested in and belongs to Alexis Fire Equipment Co.

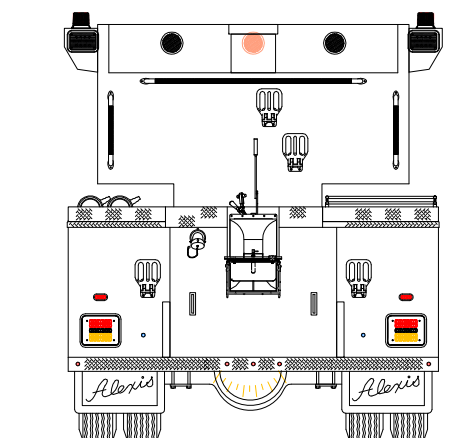
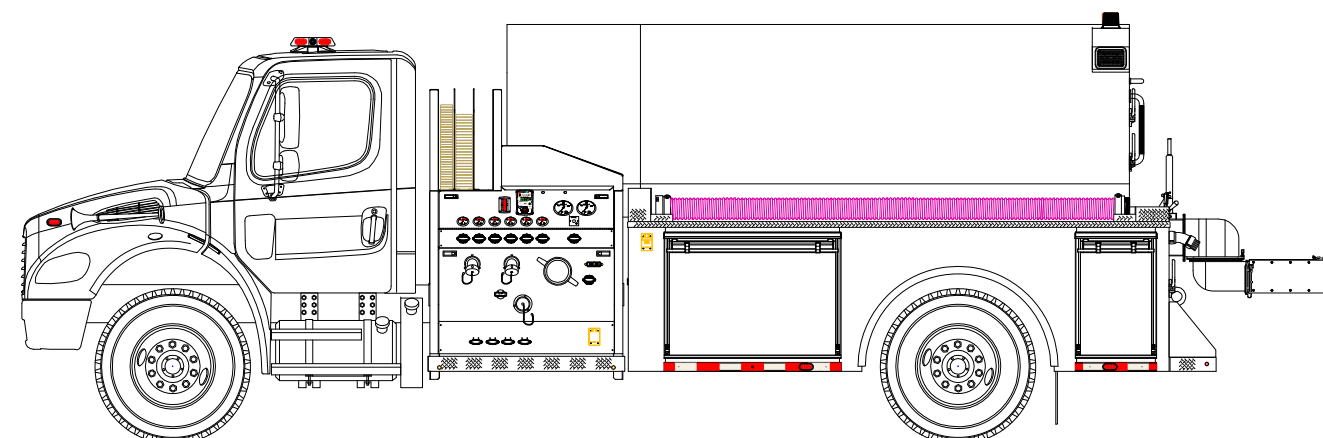
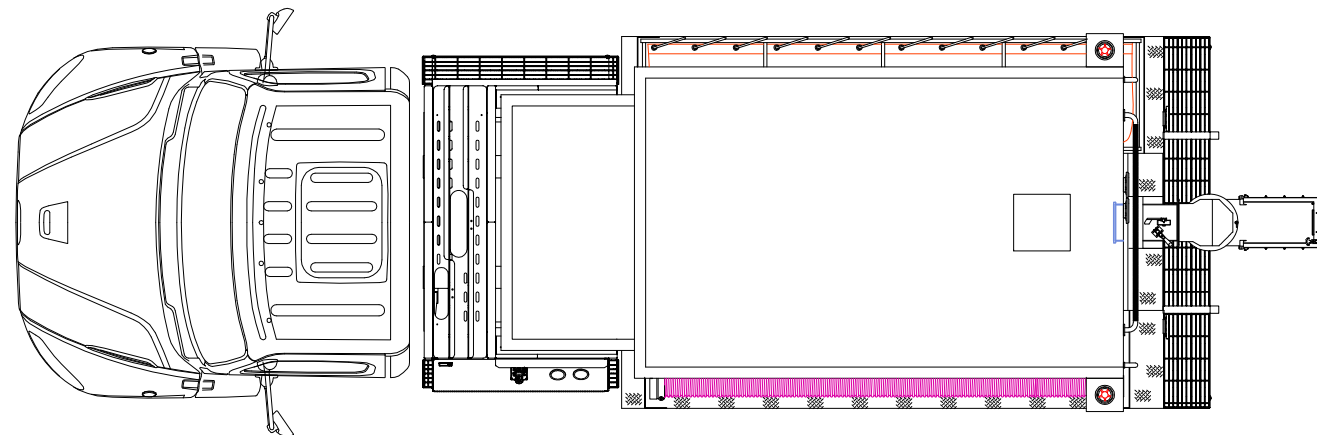
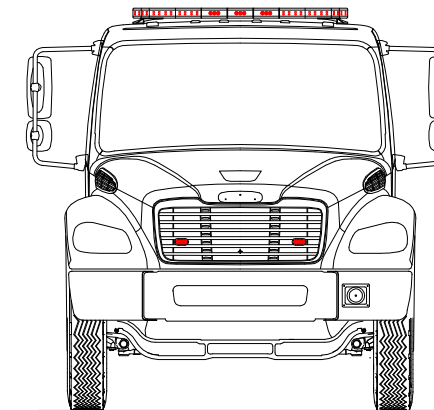
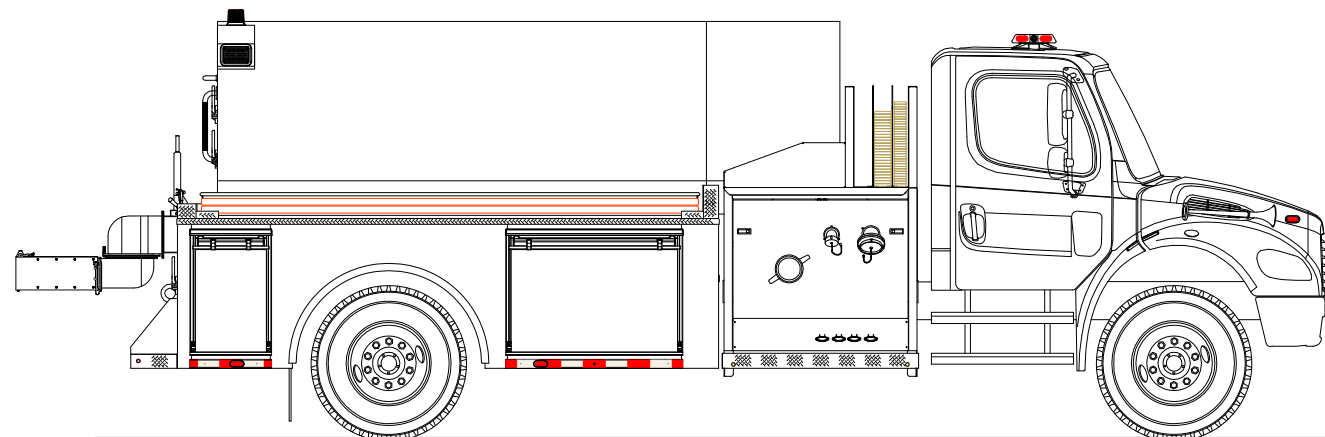
DRAWN: M.TINKHAM	DATE: 8/27/15	SIZE: D	SCALE: 1/2" = 1'	DWG NO: TP-A02
MATERIAL	CONTRACT #: 2282	SHEET: 1	OF: 2	

CUSTOMER APPROVAL SIGNATURE:

DATE:

AFE-2278

IN THE EVENT THERE ARE DISCREPANCIES BETWEEN THE DRAWING AND THE SPECIFICATIONS, THE SPECIFICATIONS SHALL PREVAIL.



UNLESS OTHERWISE SPECIFIED DIMENSIONS ARE IN INCHES TOLERANCES ARE NOT CUMULATIVE

DECIMAL ± 0.062 ANGULAR ± 0.5° FRACTIONAL ± 1/16 METRIC ± 1.6 mm

The copyright of this drawing and design and the right of reproduction there is vested in and belongs to Alexis Fire Equipment Co.

DRAWN M.TINKHAM 8/27/15

MATERIAL

**Alexis** FIRE EQUIPMENT CO. P.O. BOX 549, ALEXIS, ILLINOIS 61412

**2000 GAL. WETSIDE TANKER**  
ALEXIS FIRE EQUIPMENT  
ALEXIS, IL

SIZE SCALE DWG NO  
D 1/2" = 1' TP-A02

CONTRACT # 2282 SHEET 2 OF 2

<b>Pump Info:</b>			
Control Location: <u>Under Tank</u>	Apparatus Type: <u>Tanker</u>		
Pump Drive: <u>Split Shaft</u>	Chassis: <u>Freightliner 2-Door</u>		
Pump Make: <u>Darley</u>	Tank Capacity: <u>2000</u>		
Pump Model: <u>PSM</u>			
Pump GPM: <u>1250</u>	Material: <u>Stainless Steel</u>		

**COMPARTMENT DIMENSIONS**

COMP #	DOOR OPENING SIZES
L1	45" WIDE X 27" HIGH X 26" DEEP
R1 & R2	19" WIDE X 27" HIGH X 26" DEEP

REVISION HISTORY			
REV	DESCRIPTION	DATE	DWN