

# HME MINI EVO DEMO



## TECHNICAL SPECS

- Ford F-550XL 4-Door 4x4 Chassis
- Powerstroke 6.7L V8, 300-HP Diesel Engine
- Ford 6-speed Automatic Transmission
- Brushed Stainless Steel Body
- Gortite painted Roll Up compartment doors
- Front bright finish Grille Guard
- Stainless steel side entry "nerf" bars
- Class IV Rear Hitch receiver
- 300-Gallon Poly Tank with 15-Gallon Foam Tank
- Hale DSD, 1500-GPM Pump
- Left side pump operator's panel
- One (1) 2 1/2" Gated Suction, left side
- One (1) 2 1/2" Discharge, left side
- One (1) 3" Discharge, right side
- One (1) 4" Discharge, right side
- Two (2) 1 1/2" Mattydale cross lays, top of pump module
- Fire Research Turbo Foam Class A system
- Foam Tank 12-volt on-board Refill system
- Suction hose storage tray, left side compartment top
- Ladder storage, right side compartment top
- Pro Mariner on-board battery charger
- Kussmaul Super Auto Eject 120-volt shoreline connection
- Whelen Electronic Siren with 100-watt Whelen speaker
- Floor mounted console for emergency switches, cab
- Fire Research LED Scene Light Package
- Whelen LED Warning Light Package
- Chevron Pattern striping, rear
- 7' 5" Overall height
- 25' 2" Overall length
- 200" Wheelbase
- 84" Cab to Axle
- 7,000 FAWR
- 14,706 RAWR
- 19,500 GVWR



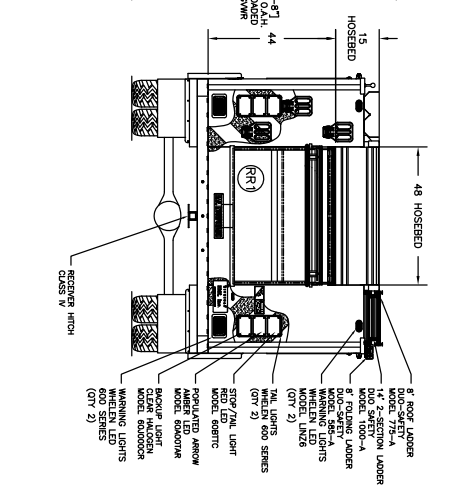
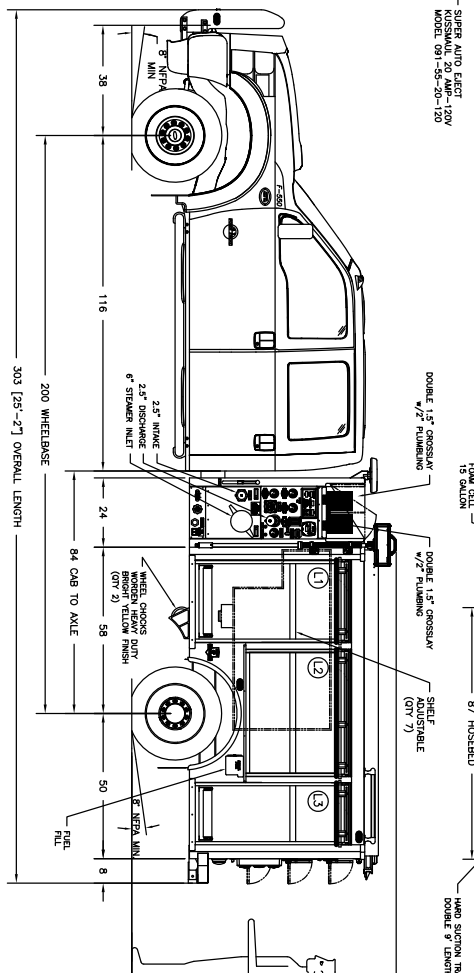
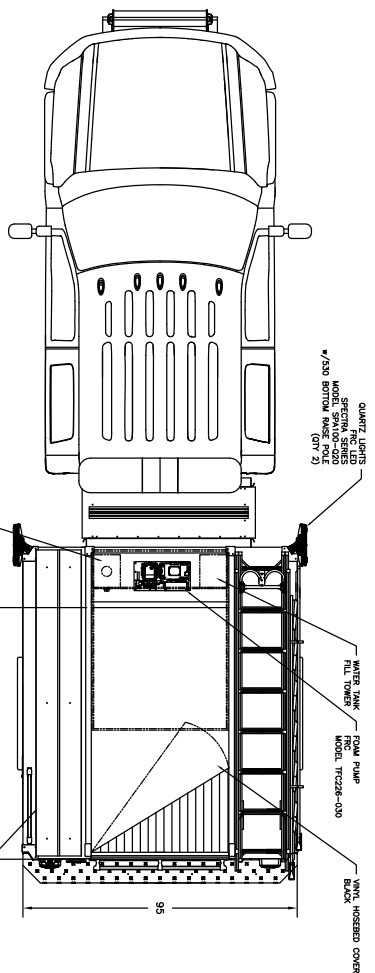
To view more photos, download CAD drawings, weight distribution charts, body specs, chassis specs and more, visit [www.AlexisFire.com](http://www.AlexisFire.com)



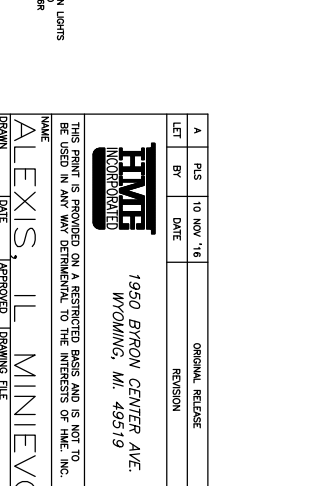
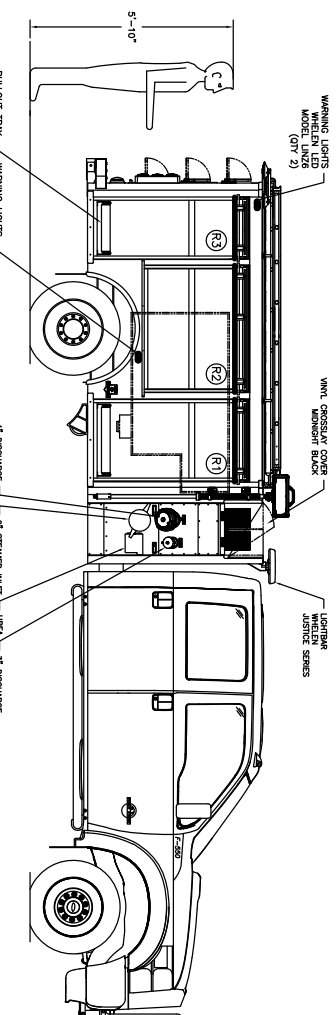
THIS DRAWING IS AN OVERALL REPRESENTATION OF THE APPARATUS AS PROPOSED.  
 THE EXACT LOCATIONS OF ACCESSORIES OR COMPONENTS MAY BE REVISED PENDING COMPLETE ENGINEERING REVIEW OF THE OPTION CONTENT OF THE ORDER.  
 IF THERE IS A DISCREPANCY BETWEEN THE BODILIER PRINT AND THE WHEELER PERSPECTIVE, THE SPECIFICATIONS WITHIN THE PERSPECTIVE SHALL PREVAIL.

This drawing along with any changes made and drafted by both the Fire Department and HME shall be the property of HME. Any changes to the drawing after today's date will be addressed via appropriate change order signed and approved by both the Fire Department & HME, Inc.

APPROVED BY: \_\_\_\_\_ TITLE: \_\_\_\_\_  
 FIRE DEPARTMENT  
 APPROVED BY: \_\_\_\_\_ TITLE: \_\_\_\_\_  
 HME, INCORPORATED



COMPARTMENTATION			
COMP.	BEHIND DOOR	CLARE	CLARE
L1	35"	57"	22"
L2	44"	40"	22"
L3	23"	57"	22"
L4	24"	40"	22"
L5	23"	57"	22"
L6	23"	57"	22"
L7	23"	57"	22"
L8	23"	57"	22"
L9	23"	57"	22"
L10	23"	57"	22"
L11	23"	57"	22"
L12	23"	57"	22"
L13	23"	57"	22"
L14	23"	57"	22"
L15	23"	57"	22"
L16	23"	57"	22"
L17	23"	57"	22"
L18	23"	57"	22"
L19	23"	57"	22"
L20	23"	57"	22"
L21	23"	57"	22"
L22	23"	57"	22"
L23	23"	57"	22"
L24	23"	57"	22"
L25	23"	57"	22"
L26	23"	57"	22"
L27	23"	57"	22"
L28	23"	57"	22"
L29	23"	57"	22"
L30	23"	57"	22"
L31	23"	57"	22"
L32	23"	57"	22"
L33	23"	57"	22"
L34	23"	57"	22"
L35	23"	57"	22"
L36	23"	57"	22"
L37	23"	57"	22"
L38	23"	57"	22"
L39	23"	57"	22"
L40	23"	57"	22"
L41	23"	57"	22"
L42	23"	57"	22"
L43	23"	57"	22"
L44	23"	57"	22"
L45	23"	57"	22"
L46	23"	57"	22"
L47	23"	57"	22"
L48	23"	57"	22"
L49	23"	57"	22"
L50	23"	57"	22"
L51	23"	57"	22"
L52	23"	57"	22"
L53	23"	57"	22"
L54	23"	57"	22"
L55	23"	57"	22"
L56	23"	57"	22"
L57	23"	57"	22"
L58	23"	57"	22"
L59	23"	57"	22"
L60	23"	57"	22"
L61	23"	57"	22"
L62	23"	57"	22"
L63	23"	57"	22"
L64	23"	57"	22"
L65	23"	57"	22"
L66	23"	57"	22"
L67	23"	57"	22"
L68	23"	57"	22"
L69	23"	57"	22"
L70	23"	57"	22"
L71	23"	57"	22"
L72	23"	57"	22"
L73	23"	57"	22"
L74	23"	57"	22"
L75	23"	57"	22"
L76	23"	57"	22"
L77	23"	57"	22"
L78	23"	57"	22"
L79	23"	57"	22"
L80	23"	57"	22"
L81	23"	57"	22"
L82	23"	57"	22"
L83	23"	57"	22"
L84	23"	57"	22"
L85	23"	57"	22"
L86	23"	57"	22"
L87	23"	57"	22"
L88	23"	57"	22"
L89	23"	57"	22"
L90	23"	57"	22"
L91	23"	57"	22"
L92	23"	57"	22"
L93	23"	57"	22"
L94	23"	57"	22"
L95	23"	57"	22"
L96	23"	57"	22"
L97	23"	57"	22"
L98	23"	57"	22"
L99	23"	57"	22"
L100	23"	57"	22"



CREATED WITH AUTOCAD®

**ALEXIS, IL MINIEVO**

1950 BYRON CENTER AVE.  
 WYOMING, MI. 48319

APPROVED DRAWING FILE: \_\_\_\_\_  
 DATE: 10 NOV '16

DESIGNER: \_\_\_\_\_  
 DATE: \_\_\_\_\_

LET BY DATE REVISION ORIGINAL RELEASE

SCALE: \_\_\_\_\_  
 SHEET: \_\_\_\_\_