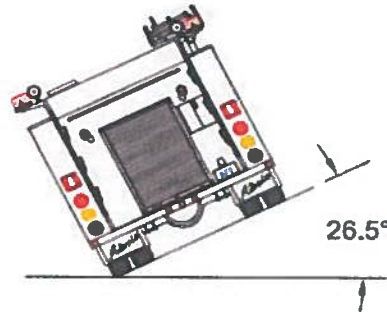
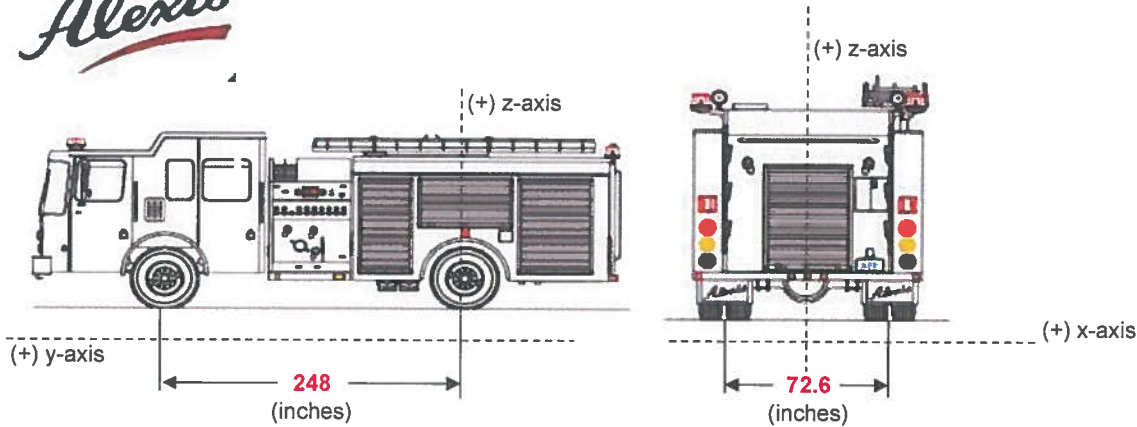


VERTICAL CENTER OF GRAVITY / WEIGHT DISTRIBUTION

9/10/2015



Contract No: **2279**
 Proposal Name: **AFE DEMO 2279**
 Calculated By: **Melissa Tinkham**
 Approved By:
 Revision: **01 MLT**
 Type of Chassis: **Freightliner M2 106 2-dr**
 Type of Pump: **Darley PSM 1250gpm**
 Cab to Axle: **182.45**
 Tank Capacity: **3000**

Item	Weight (lbs)	Coordinates Local C.G. (in)			% Rear	Weight (lbs)	
		x	y	z		Front	Rear
Chassis	14791	0	133	43	47%	7907	6884
Poly Tank (w/water)	27750	-0.5	33.5	81	86%	3748	24002
Officer & Driver	500	0	197	64	21%	397	103
	0	0	0	0	0%	0	0
Pump Module	1200	0	152.5	56.5	39%	738	462
Pump	1400	0	155.5	44	37%	878	522
Body Module (SS)	3000	0	18	41	93%	218	2782
Hose Bed	1000	0	20	109	92%	81	919
Add. Equip. front	1250	0	87	41	65%	439	811
Add. Equip. Rear	750	0	-71.5	41	129%	-216	966
Preconnects	1000	0	169	83	32%	681	319
Dump	200	0	-101.5	52	141%	-82	282
	0	0	0	0	0%	0	0
Suction Hose	125	-39	39	65	84%	20	105
Folding Tank	200	34.5	26	64.5	90%	21	179
	0	0	0	0	0%	0	0
	0	0	0	0	0%	0	0
	0	0	0	0	0%	0	0
	0	0	0	0	0%	0	0
	0	0	0	0	0%	0	0
Total	53166	Global Center of Gravity				14829	38337
GAWR	56000	x	y	z		16000	40000
Load as % of Total	100%	-0.2	69.2	65.3		28%	72%
						OK	OK

Truck Tipping Angle: **29** degrees (Full Water Tank) **OK**

Maximum vertical center of gravity "z" = **58.08**

(Maximum "z" is 80% of the rear axle track width)

SC

HOSE CAPACITIES

9/10/2015

Customer AFE DEMO 2279
 Calculated By Melissa Tinkham

Drawing No. TP-A01 Rev. 1 MLT
 Contract No. 2279

HOSE BED

Length	196.5		
Width	78		
Height	13		
Cu. Ft.	115.31	0.00	
Total		115.31	

Hose Size	5				
Amount	1000				
DF	102	0	0	0	0
Cu. Ft.	59.03	0.00	0.00	0.00	0.00
Total		59.03			

MATTYDALES

Length	73	73	73
Width	4.25	5	5
Height	27	27	27
Cu. Ft.	4.85	5.70	5.70
Total		16.25	

Hose Size	1 3/4	2 1/2	
Amount	200	150	
DF	26	41	0
Cu. Ft.	3.01	3.56	0.00
Total		6.57	

CARTRIDGE LAYS

Length			
Width			
Height			
Cu. Ft.	0.00	0.00	0.00
Total		0.00	

Hose Size			
Amount			
DF	0	0	0
Cu. Ft.	0.00	0.00	0.00
Total		0.00	

HOSE TRAYS

Length			
Width			
Height			
Cu. Ft.	0.00	0.00	0.00
Total		0.00	

Hose Size			
Amount			
DF	0	0	0
Cu. Ft.	0.00	0.00	0.00
Total		0.00	

HOSE WELLS

Length			
Width			
Height			
Cu. Ft.	0.00	0.00	0.00
Total		0.00	

Hose Size			
Amount			
DF	0	0	0
Cu. Ft.	0.00	0.00	0.00
Total		0.00	

Standard Hose Dimensions per NFPA (2003 Edition)

1 3/4" lays 3 1/4" wide	DF=	26
2" lays 3 3/4" wide	DF=	24 (ANGUS)
2 1/2" lays 4 1/2" wide	DF=	41
3" lays 5 1/4" wide	DF=	50
4" lays 6 1/2' wide	DF=	58
5" lays 8" wide - Angus	DF=	96
5" lays 8-1/2" wide - Cotton	DF=	102

