

THIS DRAWING IS AN OVERALL REPRESENTATION OF THE APPARATUS AS PROPOSED.

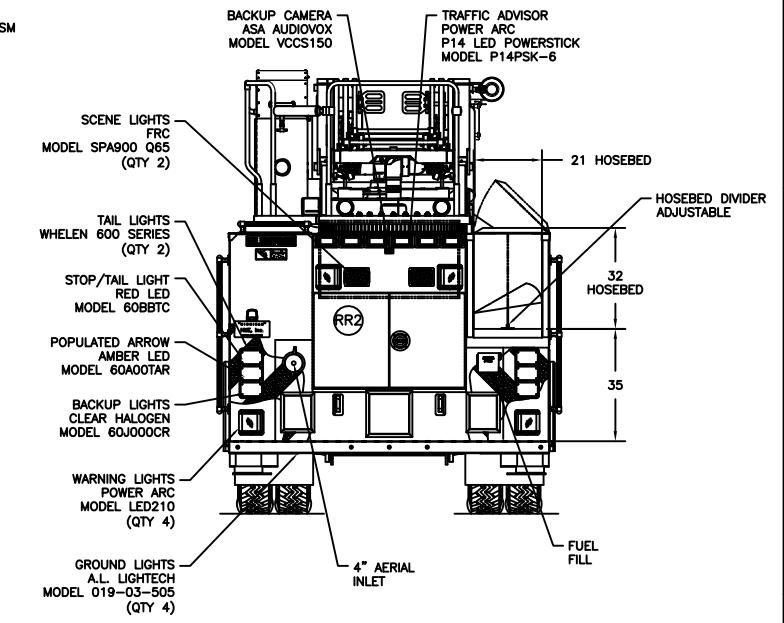
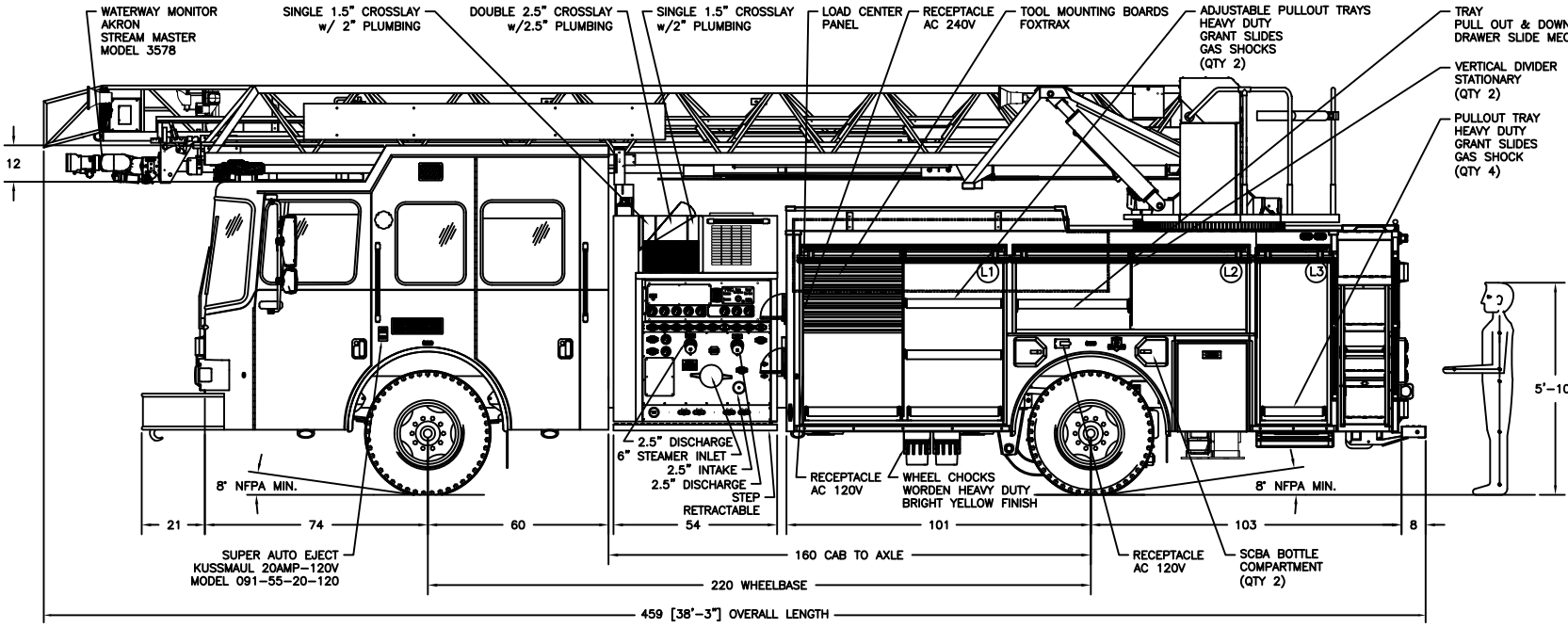
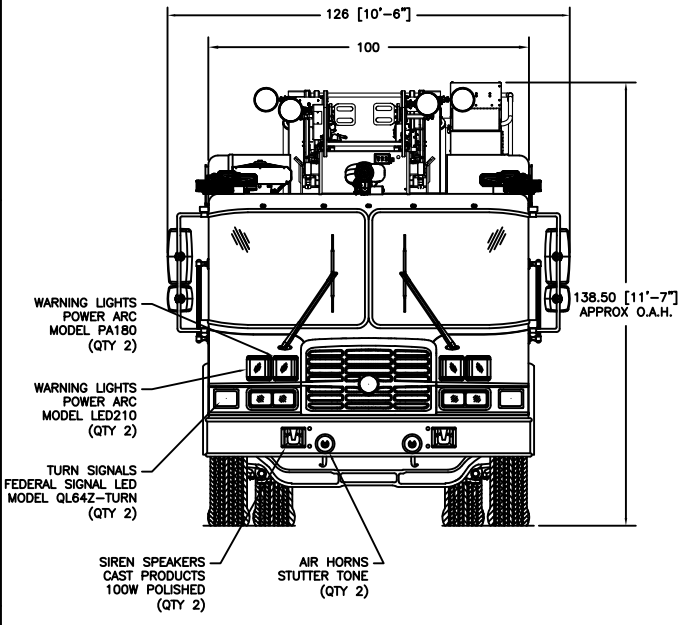
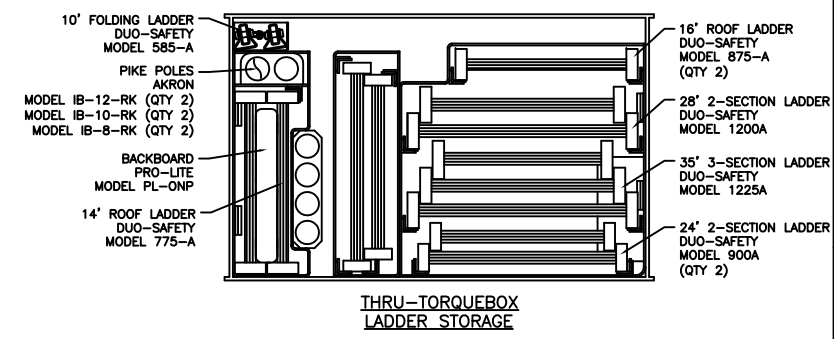
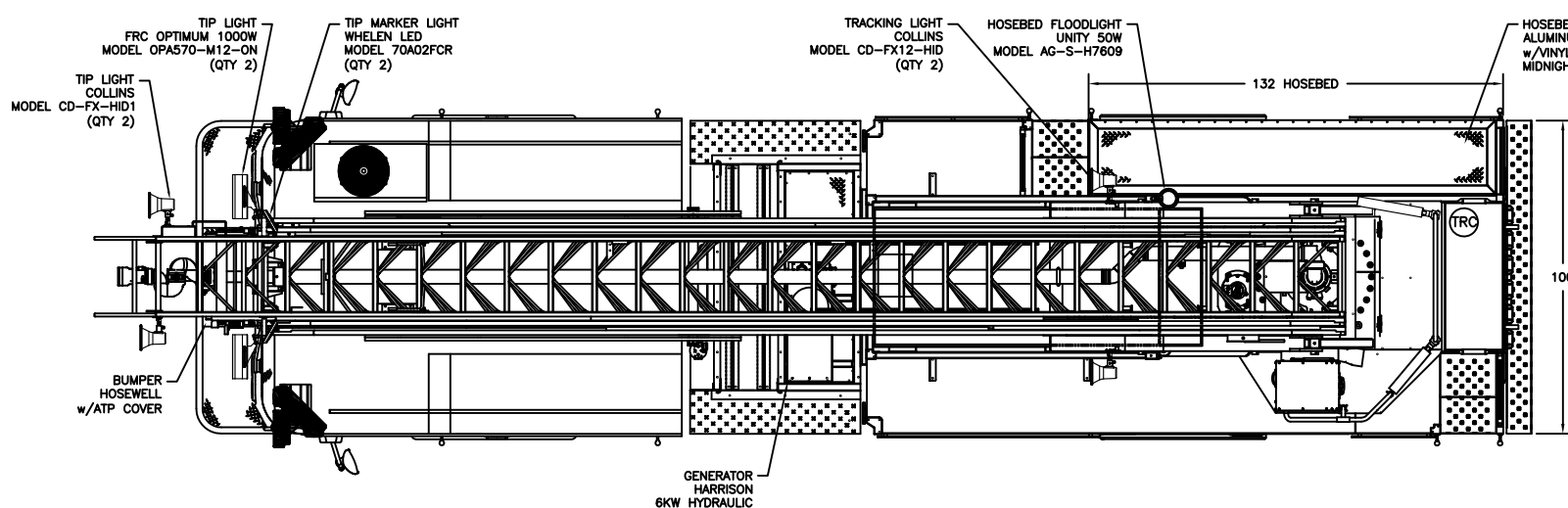
THE EXACT LOCATIONS OF ACCESSORIES OR COMPONENTS MAY BE REVISED PENDING COMPLETE ENGINEERING REVIEW OF THE OPTION CONTENT OF THE ORDER.

IF THERE IS A DISCREPANCY BETWEEN THE BODYBUILDER PRINT AND THE WRITTEN PROPOSAL, THE SPECIFICATIONS WITHIN THE PROPOSAL PREVAIL.

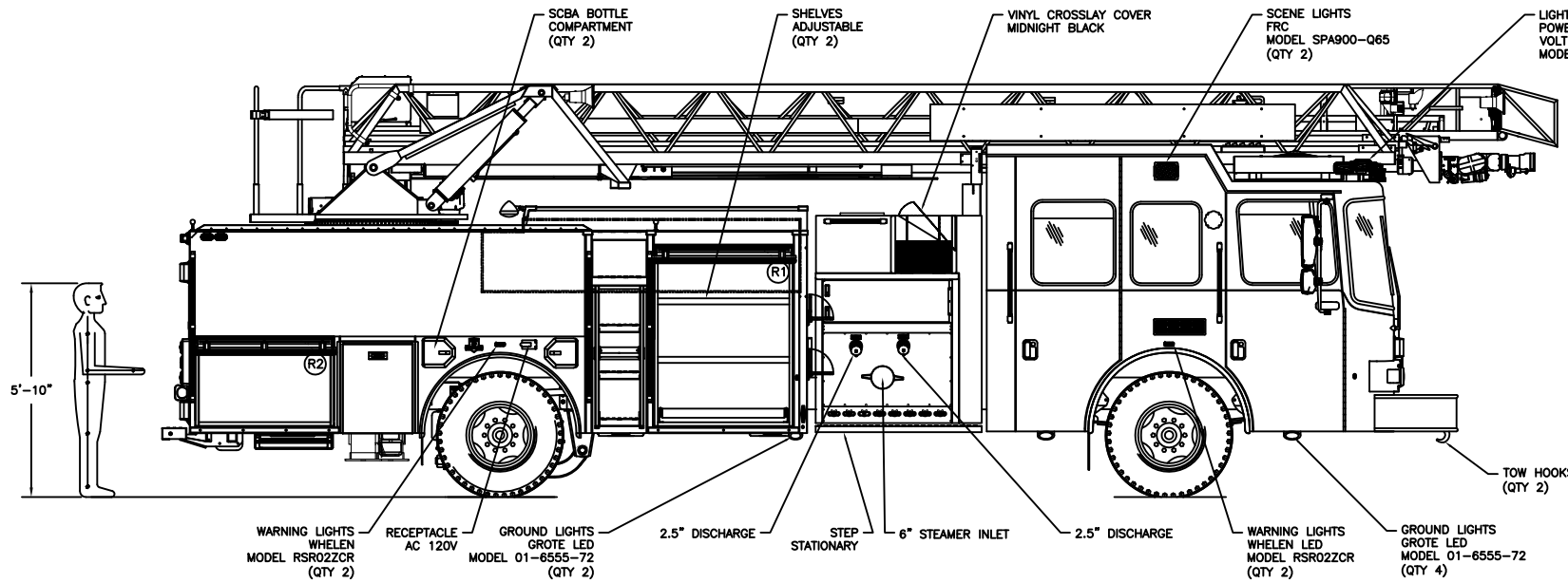
This drawing along with any changes made and Initialed by both the "Fire Department" & HME, Inc. represents what will be constructed and supplied to the "Fire Department." Any changes to the contract specifications and drawing after today's date will be addressed via appropriate change order signed and approved by both the "Fire Department" & HME, Inc.

APPROVED BY: _____ TITLE: FIRE DEPARTMENT

APPROVED BY: _____ TITLE: HME, Incorporated



COMPARTMENTATION						
COMPT.	BEHIND DOOR			CLEAR OPENING		COMPT. VOLUME
	WIDTH	HEIGHT	DEPTH	DOOR WIDTH	DOOR HEIGHT	
L1:	75"	63"	24"	65"	53"	65.6 FT ³
L2:	81"	33"	24"	75"	24"	37.1 FT ³
L3:	27"	63"	24"	22"	53"	23.6 FT ³
R1:	53"	63"	24"	45"	53"	46.4 FT ³
R2:	46"	30"	24"	42"	22"	19.2 FT ³
TRC:	43"	19"	14"	42"	14"	6.6 FT ³



LET	BY	DATE	REVISION
D	HMT	07 JUL '14	UPDATE TO CURRENT
C	R.S.	14 APR '14	CORRECTED OVERALL HEIGHT
B	A.U.	12 DEC '13	CLEAN ORDER RELEASE
A	R.S.	01 AUG '13	ORIGINAL RELEASE

HME INCORPORATED 1950 BYRON CENTER AVE. WYOMING, MI. 49509

THIS PRINT IS PROVIDED ON A RESTRICTED BASIS AND IS NOT TO BE USED IN ANY WAY DETRIMENTAL TO THE INTERESTS OF HME, INC.

NAME: **HME 80' AERIAL**

DRAWN	DATE	APPROVED	DRAWING FILE
R. SLOT	16 JUL '13	N/A	22467 HME 80' AERIAL

THIRD ANGLE PROJECTION	SIZE	NUMBER	SCALE NTS
	B	22467	1 OF 1

CREATED WITH AutoCAD®