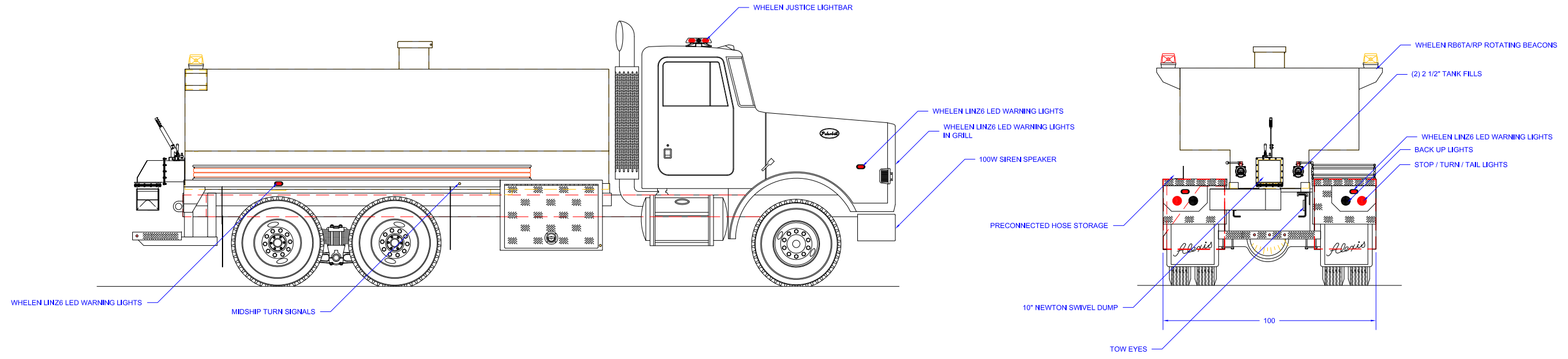


8 7 6 5 4 3 2 1

D

D

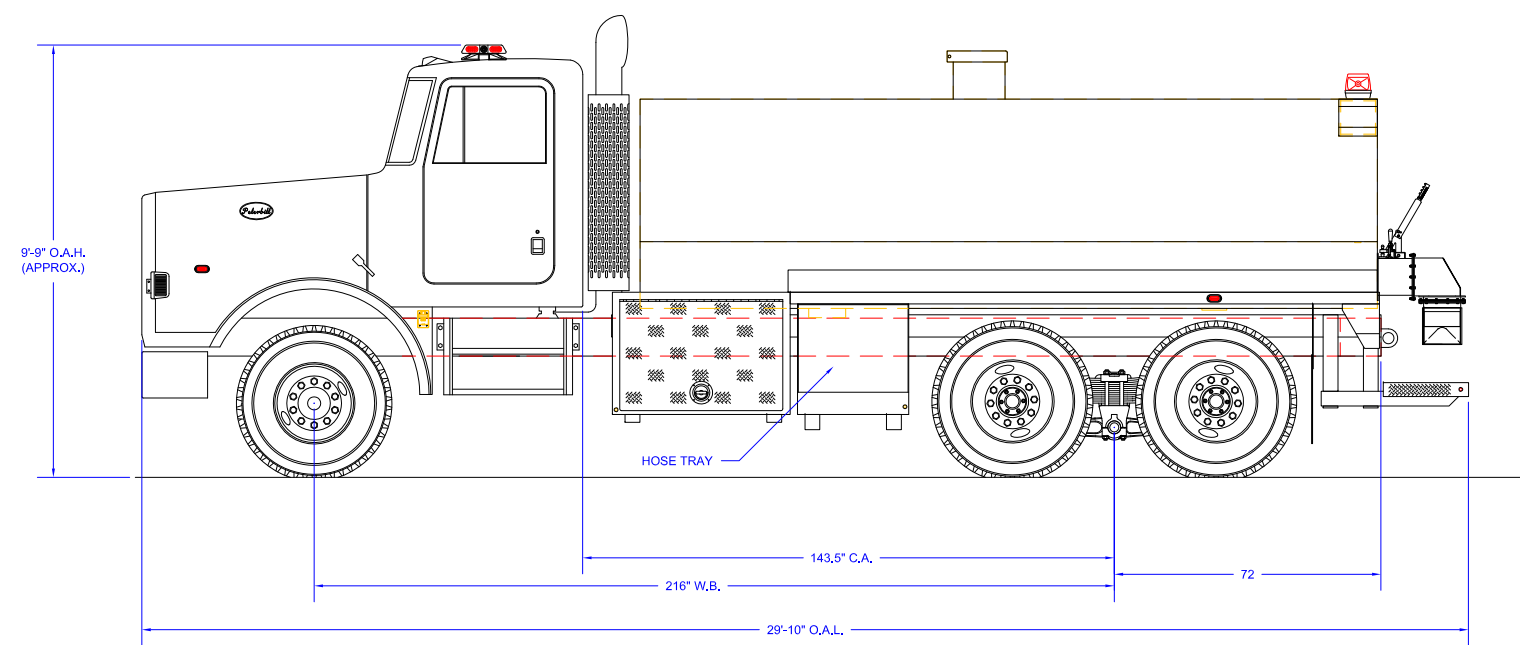


C

C

B

B



A

A

C:\Alexis Vault\Proposals\HT-A17.dwg, 3/7/2013 9:59:27 AM

REVISION HISTORY			
REV	DESCRIPTION	DATE	DWN

CUSTOMER APPROVAL SIGNATURE: _____ DATE: _____

DEMO TAN-0001

IN THE EVENT THERE ARE DISCREPANCIES BETWEEN THE DRAWING AND THE SPECIFICATIONS, THE SPECIFICATIONS SHALL PREVAIL.

Pump Info:	
Control Location: Under Tank	Apparatus Type: Tanker
Pump Drive: _____	Chassis: Peterbilt 2-Door
Pump Make: Waterous	Tank Capacity: 3000
Pump Model: OTHER	
Pump GPM: _____	Material: Aluminum

UNLESS OTHERWISE SPECIFIED DIMENSIONS ARE IN INCHES TOLERANCES ARE NOT CUMULATIVE

DECIMAL ± 0.062 ANGULAR ± 0.5°
FRACTIONAL ± 1/16 METRIC ± 1.6 mm

The copyright of this drawing and design and the right of reproduction there is vested in and belongs to Alexis Fire Equipment Co.

DRAWN: MELISSA TINKHAM
DATE: 09/27/12

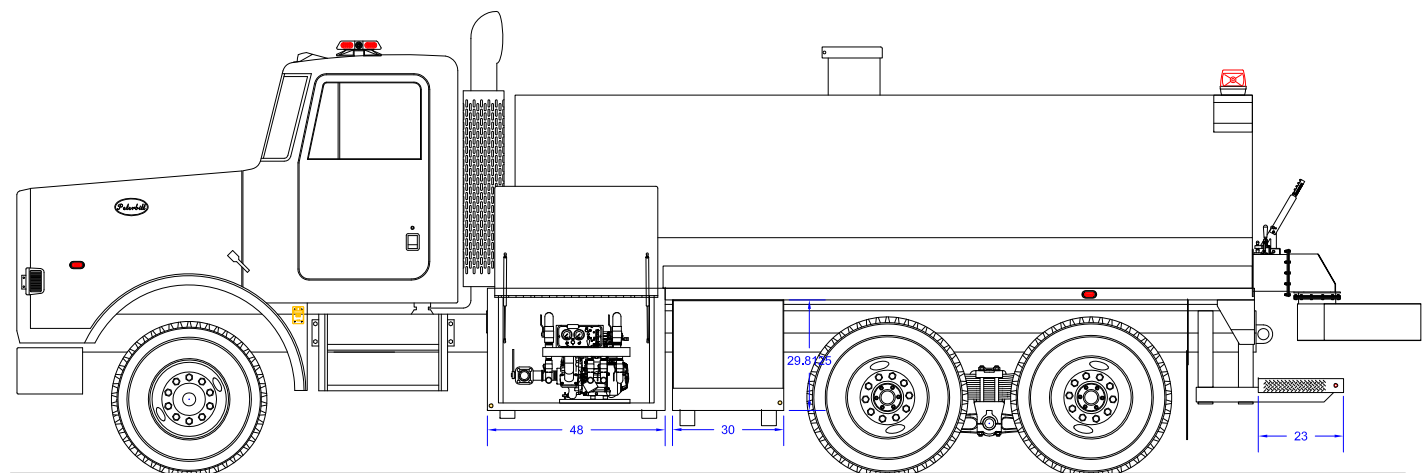
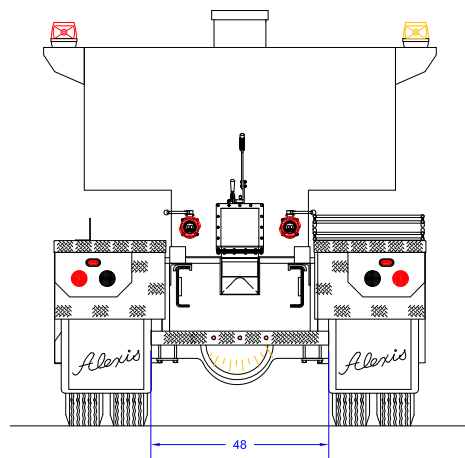
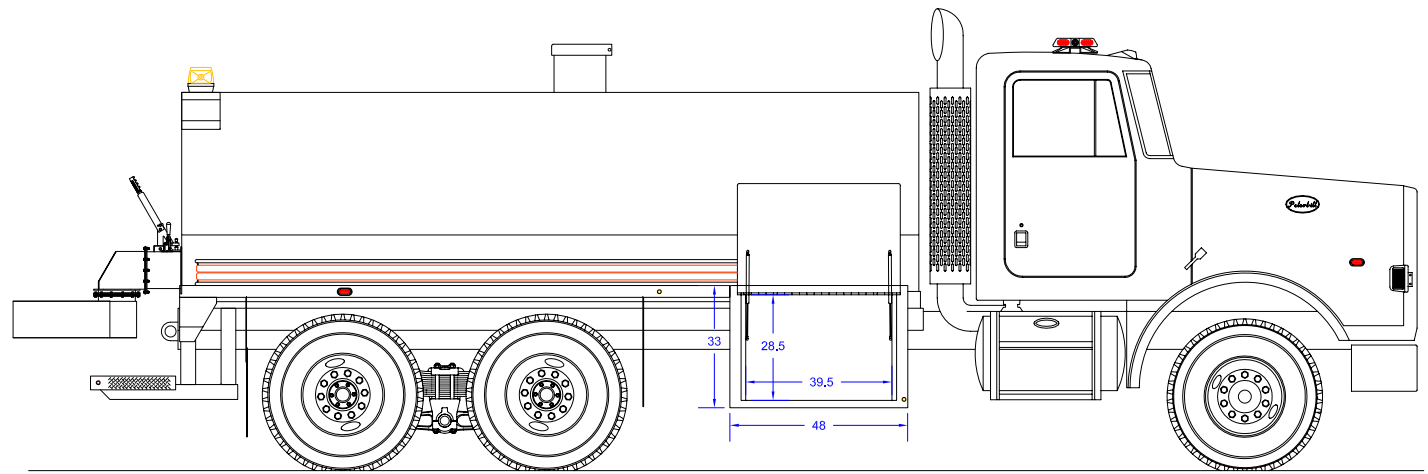
Alexis FIRE EQUIPMENT CO.
P.O. BOX 549, ALEXIS, ILLINOIS 61412

DEMO HAWK TANKER
ALEXIS FIRE EQUIPMENT
ALEXIS, ILLINOIS

SIZE: D SCALE: 1/2" = 1' DWG NO: HT-A17

CONTRACT # _____ SHEET 1 OF 2

8 7 6 5 4 3 2 1



UNLESS OTHERWISE SPECIFIED
DIMENSIONS ARE IN INCHES
TOLERANCES ARE NOT CUMULATIVE

DECIMAL ± 0,062 ANGULAR ± 0,5°
FRACTIONAL ± 1/16 METRIC ± 1,6 mm

Alexis FIRE EQUIPMENT CO.
P.O. BOX 549, ALEXIS, ILLINOIS 61412

DEMO HAWK TANKER
ALEXIS FIRE EQUIPMENT
ALEXIS, ILLINOIS

The copyright of this drawing and design
and the right of reproduction there is vested
in and belongs to Alexis Fire Equipment Co.

DRAWN: MELISSA TINKHAM
DATE: 09/27/12

SIZE: D SCALE: 1/2" = 1'
DWG NO: HT-A11-1

Pump Info:	
Control Location: Under Tank	Apparatus Type: Tanker
Pump Drive: Chassis	Chassis: Peterbilt 2-Door
Pump Make: Waterous	Tank Capacity: 3000
Pump Model: OTHER	
Pump GPM:	Material: Aluminum

REVISION HISTORY			
REV	DESCRIPTION	DATE	DWN

CUSTOMER APPROVAL SIGNATURE: _____ DATE: _____

DEMO TAN-0001
IN THE EVENT THERE ARE DISCREPANCIES BETWEEN THE DRAWING
AND THE SPECIFICATIONS, THE SPECIFICATIONS SHALL PREVAIL.

C:\Alexis Vault\Proposals\HT-A11.dwg, 3/7/2013 10:00:11 AM