

### COMPARTMENT DIMENSIONS

COMP #	DOOR OPENING SIZES
L1	33" WIDE X 58" HIGH X 26" DEEP
L2	53" WIDE X 27" HIGH X 26" DEEP
L3	42" WIDE X 58" HIGH X 26" DEEP
R1	36" WIDE X 59" HIGH X 12" / 26" DEEP
R2	53" WIDE X 27" HIGH X 12" DEEP
R3	42" WIDE X 58" HIGH X 12" / 26" DEEP
REAR	35" WIDE X 46" HIGH X 29" DEEP

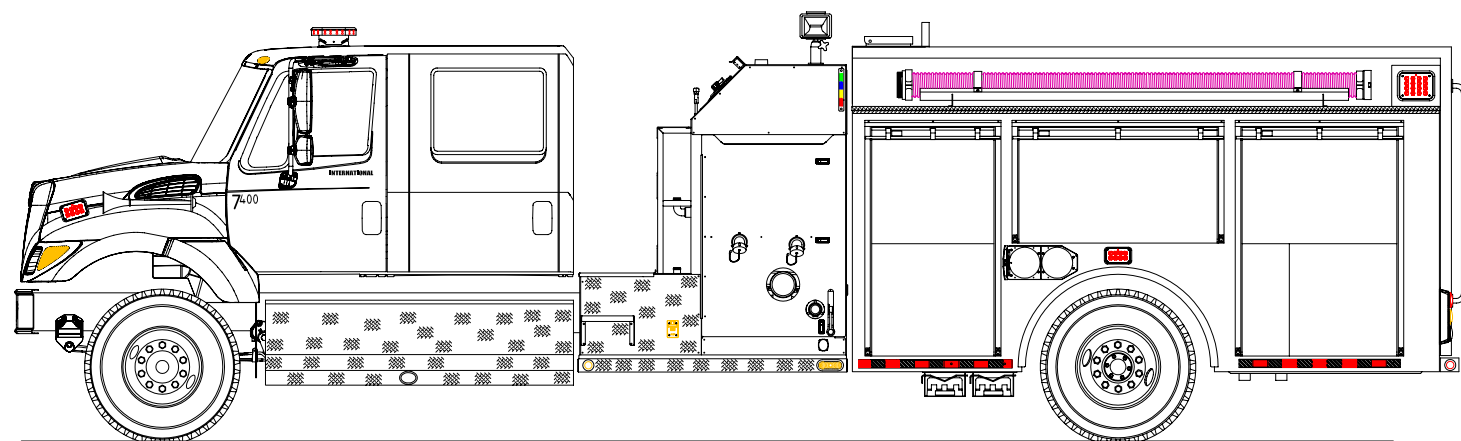
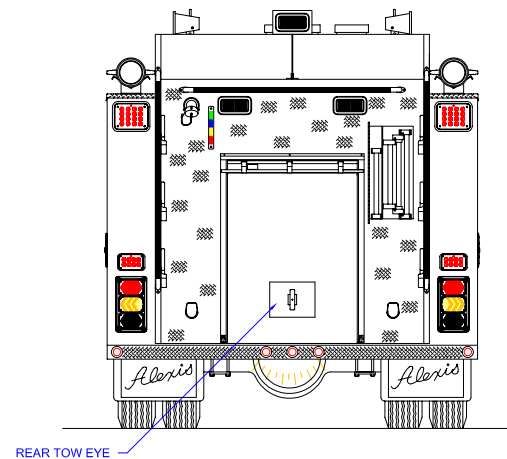
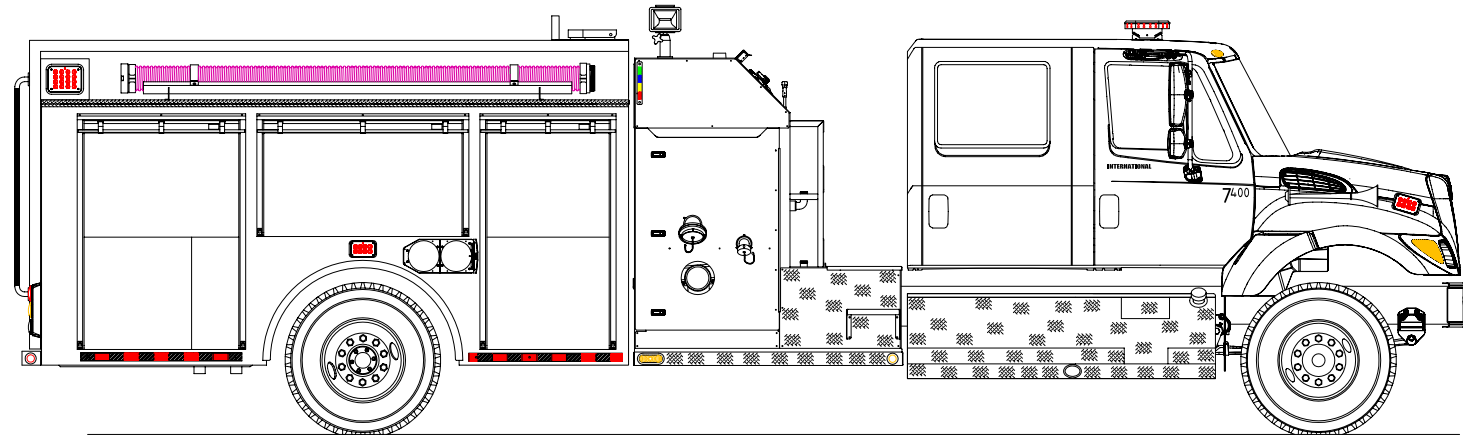
CUSTOMER APPROVAL SIGNATURE: \_\_\_\_\_ DATE: \_\_\_\_\_

UNLESS OTHERWISE SPECIFIED DIMENSIONS ARE IN INCHES TOLERANCES ARE NOT CUMULATIVE  
 DECIMAL ± 0,062 ANGULAR ± 0,5° FRACTIONAL ± 1/16 METRIC ± 1,6 mm  
**Alexis FIRE EQUIPMENT CO.**  
 P.O. BOX 549, ALEXIS, ILLINOIS 61412  
**1000gal TOP MOUNT PUMPER**  
 ALEXIS FIRE EQUIPMENT  
 ALEXIS, ILLINOIS  
 DRAWN: GERALD WILSON 03/27/09 SIZE: D SCALE: 1/2" = 1' DWG NO: ENG1-B61  
 MATERIAL: \_\_\_\_\_ CONTRACT #: \_\_\_\_\_ SHEET 1 OF 2

REVISION HISTORY			
REV	DESCRIPTION	DATE	DWN

**DEMO4-0001**

IN THE EVENT THERE ARE DISCREPANCIES BETWEEN THE DRAWING AND THE SPECIFICATIONS, THE SPECIFICATIONS SHALL PREVAIL.



### COMPARTMENT DIMENSIONS

COMP #	DOOR OPENING SIZES
L1	33" WIDE X 58" HIGH X 26" DEEP
L2	53" WIDE X 27" HIGH X 26" DEEP
L3	42" WIDE X 58" HIGH X 26" DEEP
R1	36" WIDE X 59" HIGH X 12" / 26" DEEP
R2	53" WIDE X 27" HIGH X 12" DEEP
R3	42" WIDE X 58" HIGH X 12" / 26" DEEP
REAR	35" WIDE X 46" HIGH X 29" DEEP

CUSTOMER APPROVAL SIGNATURE: \_\_\_\_\_ DATE: \_\_\_\_\_

UNLESS OTHERWISE SPECIFIED DIMENSIONS ARE IN INCHES TOLERANCES ARE NOT CUMULATIVE

DECIMAL ± 0,062 ANGULAR ± 0,5° FRACTIONAL ± 1/16 METRIC ± 1,6 mm

The copyright of this drawing and design and the right of reproduction there is vested in and belongs to Alexis Fire Equipment Co.

DRAWN: GERALD WILSON 03/27/09 SIZE: D SCALE: 1/2" = 1' DWG NO: ENG1-B61

MATERIAL: \_\_\_\_\_ CONTRACT #: \_\_\_\_\_ SHEET 2 OF 2

REVISION HISTORY			
REV	DESCRIPTION	DATE	DWN

DEMO4-0001

IN THE EVENT THERE ARE DISCREPANCIES BETWEEN THE DRAWING AND THE SPECIFICATIONS, THE SPECIFICATIONS SHALL PREVAIL.

**Alexis FIRE EQUIPMENT CO.**  
P.O. BOX 549, ALEXIS, ILLINOIS 61412

**1000gal TOP MOUNT PUMPER**  
ALEXIS FIRE EQUIPMENT  
ALEXIS, ILLINOIS

CONTRACT # \_\_\_\_\_ SHEET 2 OF 2