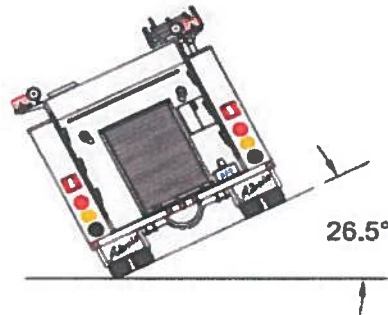
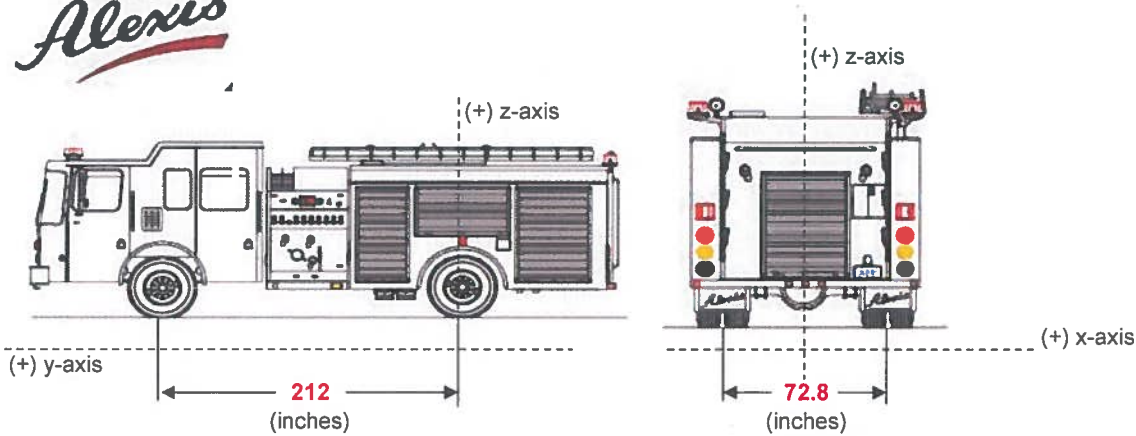


VERTICAL CENTER OF GRAVITY / WEIGHT DISTRIBUTION

9/10/2015



Contract No:  
 Proposal Name: **AFE DEMO 2278**  
 Calculated By: **Melissa Tinkham**  
 Approved By:  
 Revision: **01 MLT**  
 Type of Chassis: **Freightliner M2 106 2-dr**  
 Type of Pump: **Darley PSM1250gpm**  
 Cab to Axle: **146.45**  
 Tank Capacity: **2000**

Item	Weight (lbs)	Coordinates Local C.G. (in)			% Rear	Weight (lbs)	
		x	y	z		Front	Rear
Chassis	12562	0	128	42	39%	7607	4955
Poly Tank (w/water)	18500	-0.5	31.75	78.5	85%	2771	15729
Officer & Driver	500	0	164	61	23%	387	113
	0	0	0	0	0%	0	0
Pump Module	1200	0	116.5	54.5	45%	659	541
Pump	1400	0	116	45.5	45%	766	634
Body Module (SS)	2000	0	16	39	92%	151	1849
Hose Bed	1000	0	18	105.5	92%	85	915
Add. Equip. front	1500	0	55.5	39	74%	393	1107
Add. Equip. Rear	500	0	-42.5	39	120%	-100	600
Preconnects	600	0	133	81.5	37%	376	224
Dump	250	0	-69	49.5	133%	-81	331
	0	0	0	0	0%	0	0
Suction Hose	100	-40	20	62.5	91%	9	91
Folding Tank	200	34.5	16.5	62.5	92%	16	184
	0	0	0	0	0%	0	0
	0	0	0	0	0%	0	0
	0	0	0	0	0%	0	0
	0	0	0	0	0%	0	0
	0	0	0	0	0%	0	0
Total	40312	Global Center of Gravity				13038	27274
GAWR	44600	x	y	z		14600	30000
Load as % of Total	100%	-0.2	68.6	61.5		32%	68%

Truck Tipping Angle: **30** degrees (Full Water Tank) **OK**  
 Maximum vertical center of gravity "z" = **58.24** **OK**  
 ( Maximum "z" is 80% of the rear axle track width) **OK**

## HOSE CAPACITIES

9/10/2015

Customer AFE DEMO 2278  
 Calculated By Melissa Tinkham

Drawing No. TP-A02 Rev. 1 MLT  
 Contract No. 2278

HOSE BED				Hose				
Length	129			Size				
Width	78			Amount				
Height	13			DF	0	0	0	0
Cu. Ft.	75.70	0.00		Cu. Ft.	0.00	0.00	0.00	0.00
Total			<b>75.70</b>	Total			<b>0.00</b>	

MATTYDALES				Hose				
Length	73	73	73	Size	1 3/4	2 1/2		
Width	4.25	5	5	Amount	200	150		
Height	27	27	27	DF	26	41	0	
Cu. Ft.	4.85	5.70	5.70	Cu. Ft.	3.01	3.56	0.00	
Total			<b>16.25</b>	Total			<b>6.57</b>	

CARTRIDGE LAYS				Hose				
Length				Size				
Width				Amount				
Height				DF	0	0	0	
Cu. Ft.	0.00	0.00	0.00	Cu. Ft.	0.00	0.00	0.00	
Total			<b>0.00</b>	Total			<b>0.00</b>	

HOSE TRAYS				Hose				
Length				Size				
Width				Amount				
Height				DF	0	0	0	
Cu. Ft.	0.00	0.00	0.00	Cu. Ft.	0.00	0.00	0.00	
Total			<b>0.00</b>	Total			<b>0.00</b>	

HOSE WELLS				Hose				
Length				Size				
Width				Amount				
Height				DF	0	0	0	
Cu. Ft.	0.00	0.00	0.00	Cu. Ft.	0.00	0.00	0.00	
Total			<b>0.00</b>	Total			<b>0.00</b>	

**Standard Hose Dimensions per NFPA (2003 Edition)**

1 3/4" lays 3 1/4" wide	DF=	26
2" lays 3 3/4" wide	DF=	24 (ANGUS)
2 1/2" lays 4 1/2" wide	DF=	41
3" lays 5 1/4" wide	DF=	50
4" lays 6 1/2' wide	DF=	58
5" lays 8" wide - Angus	DF=	96
5" lays 8-1/2" wide - Cotton	DF=	102

### COMPARTMENT SPACE

Department Name:	AFE DEMO 2278	Calc. By:	Melissa Tinkham
Drawing Number:	TP-A02	Rev. Number:	01 MLT
Contract Number:	<u>2278</u>	9/10/2015	

Compartment	Width	Height	Depth	Cubic Feet
	0	0	0	0.00
L1	56.8125	31.8125	26	27.19
L2	21.25	31.8125	26	10.17
	0	0	0	0.00
R1	56.8125	31.8125	26	27.19
R2	21.25	31.8125	26	10.17
	0	0	0	0.00
	0	0	0	0.00
HB DUNNAGE	63	13	33	15.64
	0	0	0	0.00
	0	0	0	0.00
	0	0	0	0.00
	0	0	0	0.00
	0	0	0	0.00
	0	0	0	0.00
	0	0	0	0.00
	0	0	0	0.00
	0	0	0	0.00
	0	0	0	0.00
	0	0	0	0.00
	0	0	0	0.00
	0	0	0	0.00
	0	0	0	0.00
	0	0	0	0.00
	0	0	0	0.00
	0	0	0	0.00
	0	0	0	0.00
	0	0	0	0.00
	0	0	0	0.00
	0	0	0	0.00
	0	0	0	0.00
	0	0	0	0.00
	0	0	0	0.00
	0	0	0	0.00
	0	0	0	0.00
	0	0	0	0.00
	0	0	0	0.00
	0	0	0	0.00
	0	0	0	0.00
	0	0	0	0.00
	0	0	0	0.00
	0	0	0	0.00
	0	0	0	0.00
	0	0	0	0.00
	0	0	0	0.00
	0	0	0	0.00
	0	0	0	0.00
	0	0	0	0.00
	0	0	0	0.00
	0	0	0	0.00
	0	0	0	0.00
	0	0	0	0.00
	0	0	0	0.00
	0	0	0	0.00

TOTAL 90.37 Cubic Ft.